



# A10V SERIES



IT IS DIFFERENT SHAPE BETWEEN A10V40(REXROTH TYPE) AND A10V43(UCHIDA TYPE) OF PARTS.

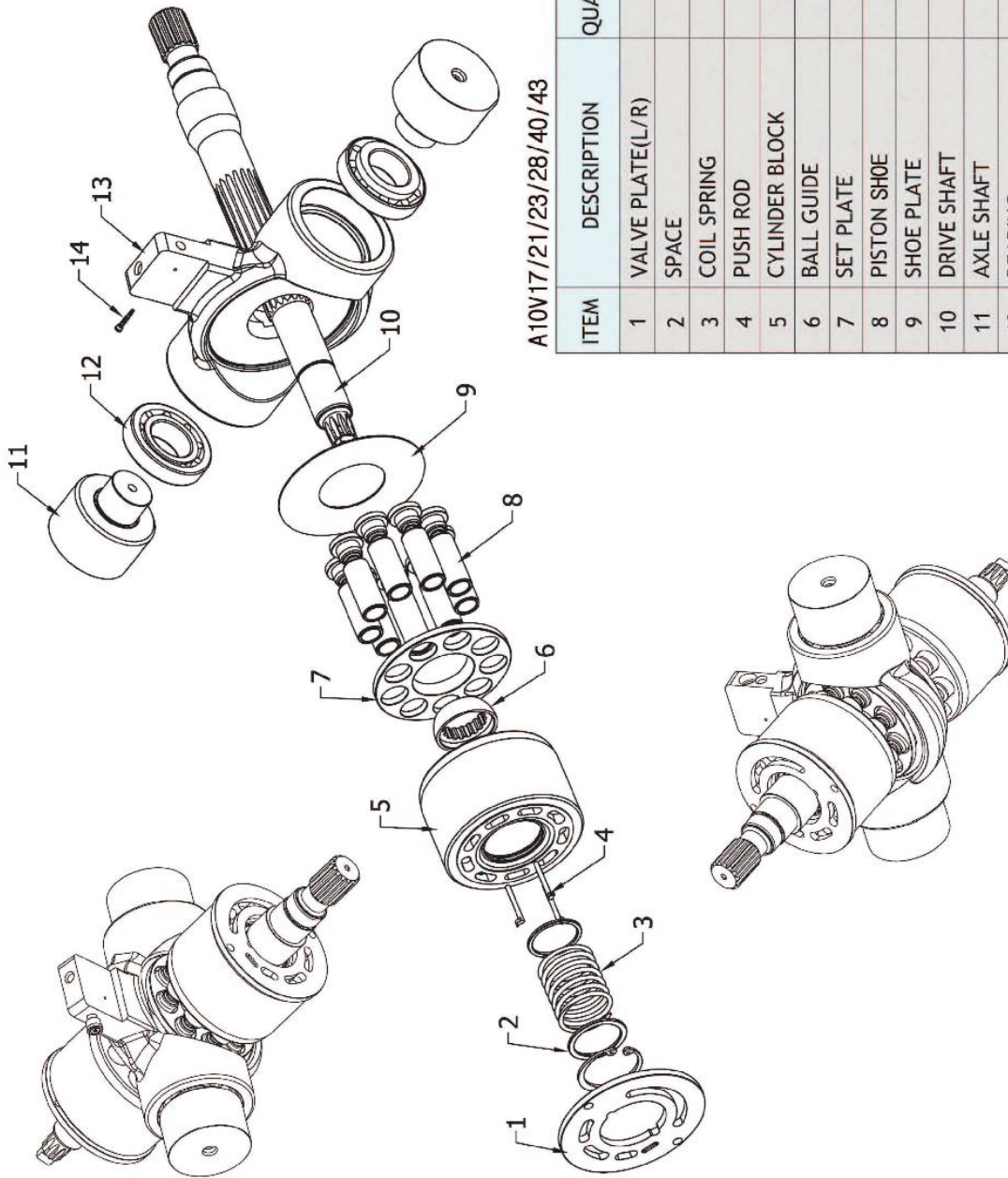
## ● A10V40(REXROTH TYPE)

V/PLATE(CCW-L)	V/PLATE(CW-R)	CYLINDER BLOCK	SET PLATE

## ● A10V43(UCHIDA TYPE)

V/PLATE(CCW-L)	V/PLATE(CW-R)	CYLINDER BLOCK	SET PLATE

# A10V SERIES



A10V17/21/23/28/40/43

ITEM	DESCRIPTION	QUANTITY	REMARK
1	VALVE PLATE(L/R)	1	
2	SPACE	2	
3	COIL SPRING	1	
4	PUSH ROD	3	
5	CYLINDER BLOCK	1	
6	BALL GUIDE	1	
7	SET PLATE	1	
8	PISTON SHOE	9	
9	SHOE PLATE	1	
10	DRIVE SHAFT	1	
11	AXLE SHAFT	2	
12	BEARING	2	
13	HANGER	1	
14	COMPEN PISTON	1	

HAN DOK HYDRAULIC