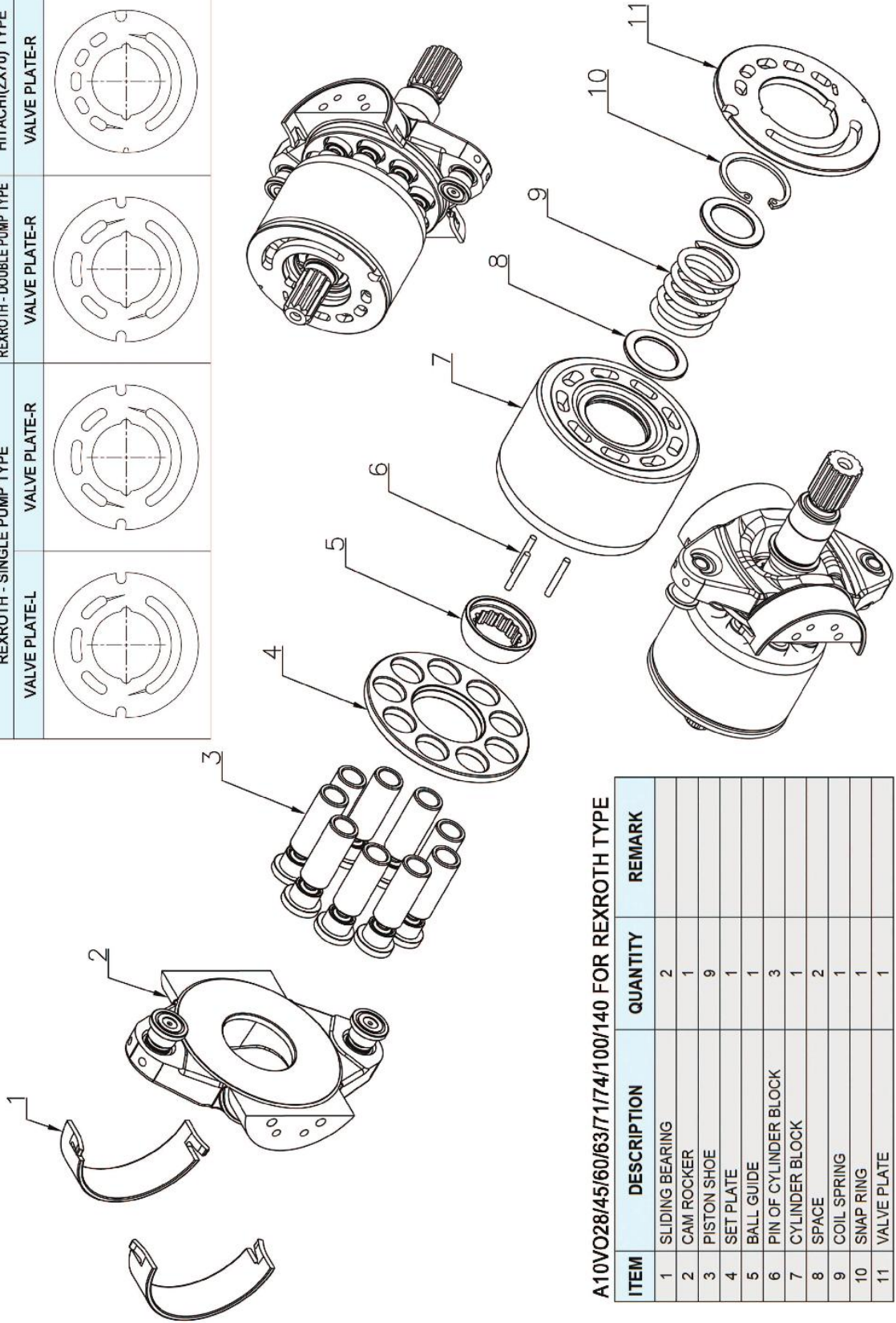


A10VO SERIES



IT IS DIFFEREN SHAPE BETWEEN A10VO28 VALVE PLATE AND A10VO28LR VALVE PLATE

A10VO28		A10VO28LR
REXROTH - SINGLE PUMP TYPE	REXROTH - DOUBLE PUMP TYPE	HITACHI(ZX70) TYPE
VALVE PLATE-L	VALVE PLATE-R	VALVE PLATE-R



A10VO28/45/60/63/71/74/100/140 FOR REXROTH TYPE

ITEM	DESCRIPTION	QUANTITY	REMARK
1	SLIDING BEARING	2	
2	CAM ROCKER	1	
3	PISTON SHOE	9	
4	SET PLATE	1	
5	BALL GUIDE	1	
6	PIN OF CYLINDER BLOCK	3	
7	CYLINDER BLOCK	1	
8	SPACE	2	
9	COIL SPRING	1	
10	SNAP RING	1	
11	VALVE PLATE	1	

HANDOK HYDRAULIC



A10VO SERIES

