

H10VO28/45/71/74(DR TYPE)

CUT-OFF CONTROL SWASH PLATE TYPE PISTON PUMP



SPECIFICATIONS

MODEL	H10VO28	H10VO45	H10VO71 H10VO74
	DR TYPE		
Discharge Rate(cc/rev)	28	45	71 74
Max. Pressure (kg/cm ²)	280		
Max. Speed (rpm)	3,000		

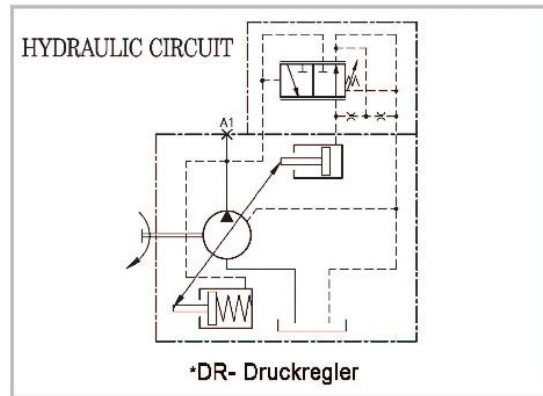


Dimensions of Shaft End(Spline Type)

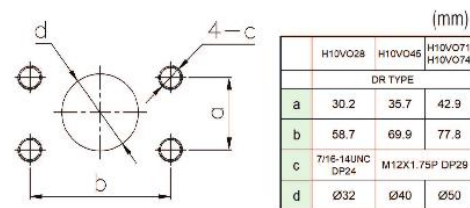
MODEL	No. of teeth	Flsh circle dia(mm)	Module	Pressure angle	Standard
H10VO28	13	20.64	16/32	30°	SAE J498B
H10VO45	15	23.813			SAE J498B
H10VO71/74	14	28			DIN 5480

Dimensions of Shaft End(Key Type)

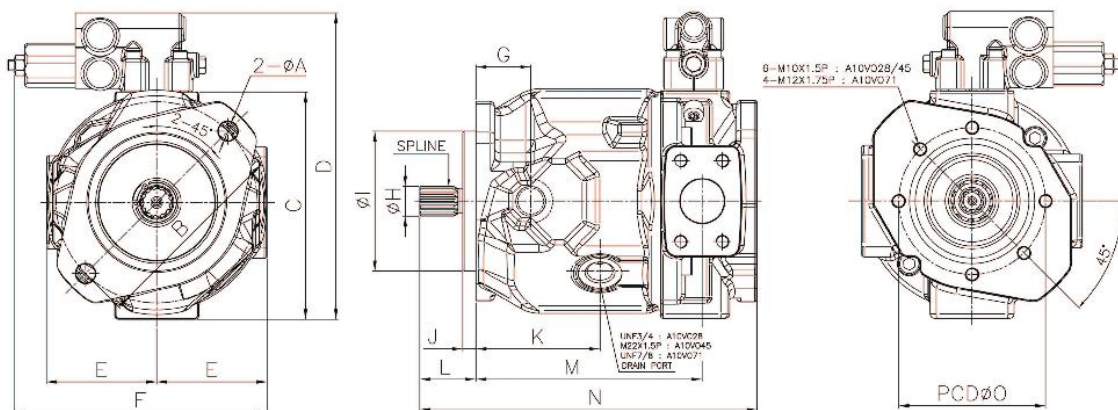
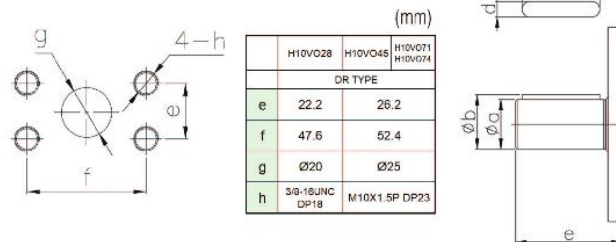
MODEL	a	b	c	d	e	Standard
H10VO28 DR TYPE	22.225	25	28.6	6.35	40.5	DIN6885



Flange Mounting face for Suction Port



Flange Mounting face for Delivery Port



DIMENSIONS

MODEL	A	B	C	D	E	F	G	H	I	J	K	L	M	N	O
H10VO28	14	146	165	222.5	80	183	40	21.7	101.6	9.5	90	41	164	245	106.5
H10VO45			185	241.5	90	193	45.5	25		8.5	96.5	46	183.5	266.5	
H10VO71/74	18	181	213	269	104	207	62	31.2	127	12.7	114.8	55.5	217	312	-

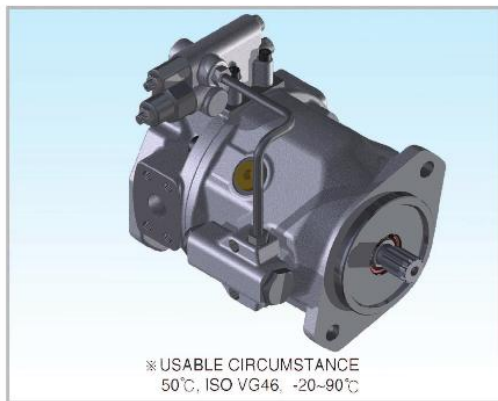
H10VO28/45/71/74(DFLR TYPE)

LOAD SENSING & CUT-OFF & HORSE POWER CONTROL SWASH PLATE TYPE PISTON PUMP



SPECIFICATIONS

MODEL	H10VO28	H10VO45	H10VO71 H10VO74
	DFLR TYPE		
Discharge Rate(cc/rev)	28	45	71 74
Max. Pressure (kg/cm ²)	280		
Max. Speed (rpm)	3,000		

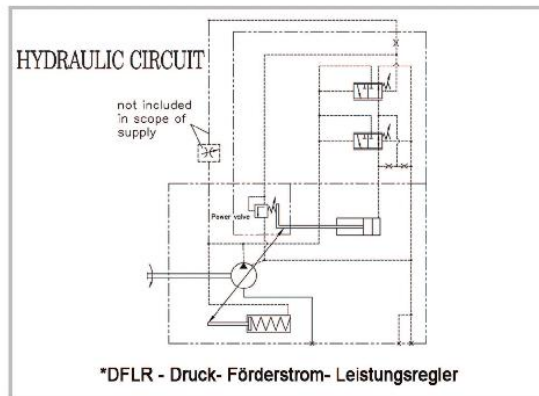


Dimensions of Shaft End(Spline Type)

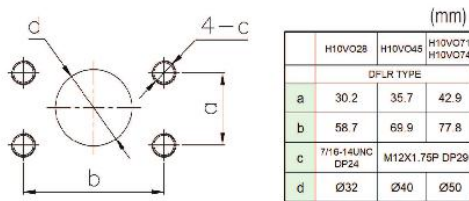
MODEL	No. of teeth	Flk circle dia(mm)	Module	Pressure angle	Standard
H10VO28	13	20.64	16/32	30°	SAE J498B
H10VO45	15	23.813			SAE J498B
H10VO71/74	14	28			DIN 5480

Dimensions of Shaft End(Key Type)

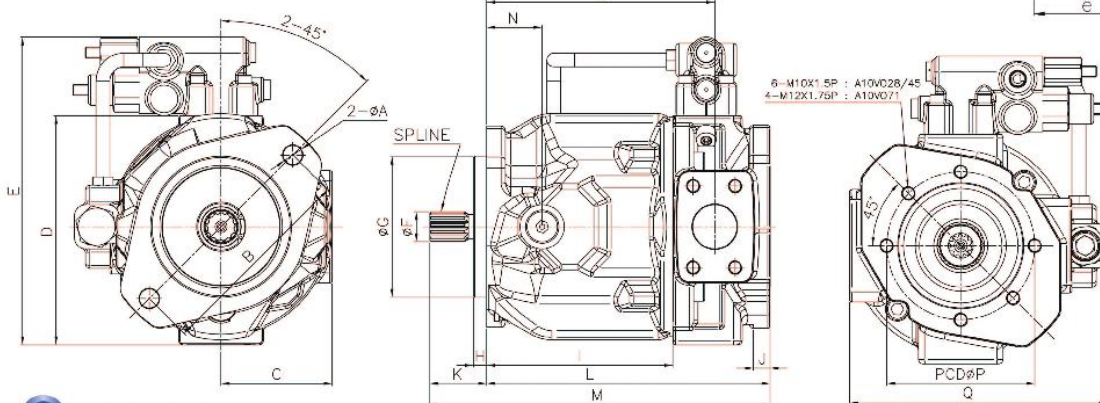
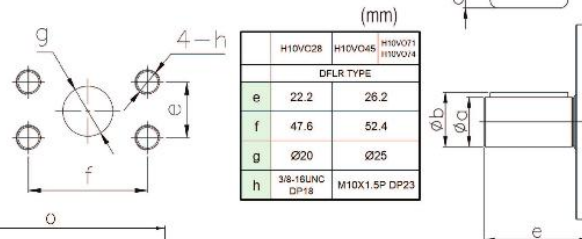
MODEL	a	b	c	d	e	Standard
H10VO28 DFLR TYPE	22.225	25	28.6	6.35	40.5	DIN6885



Flange Mounting face for Suction Port



Flange Mounting face for Delivery Port



DIMENSIONS

MODEL	A	B	C	D	E	F	G	H	I	J	K	L	M	N	O	P	Q
H10VO28	DFLR TYPE	14	146	80	165	222.5	21.7	101.6	9.5	134	12	41	204	245	40	164	185.5
H10VO45				90	185	241.5	25		8.5	149.5	22	46	220.5	266.5	45.5	183.5	106.5
H10VO71/74		18	181	104	213	269	31.2	127	12.7	177	-	55.5	257	312	62	217	-

H10VO28/45/71/74(DFR/DFR1 TYPE)

LOAD SENSING & CUT-OFF CONTROL SWASH PLATE TYPE PISTON PUMP



SPECIFICATIONS

MODEL	H10VO28	H10VO45	H10VO71 H10VO74
	DFR/DFR1 TYPE		
Discharge Rate(cc/rev)	28	45	71 74
Max. Pressure (kg/cm ²)	280		
Max. Speed (rpm)	3,000		

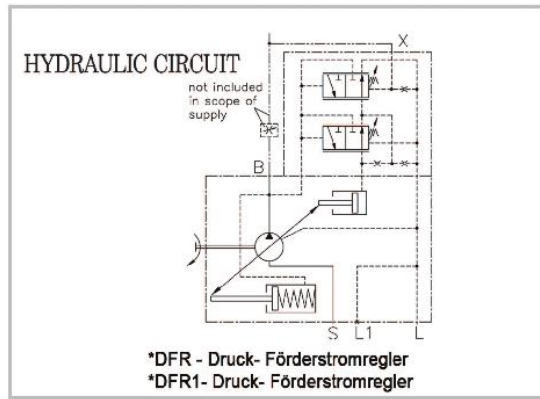


Dimensions of Shaft End(Spline Type)

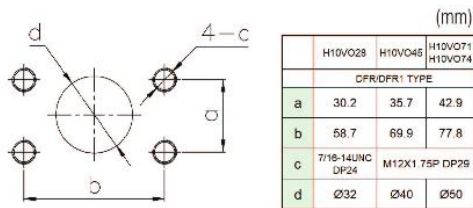
MODEL	No. of teeth	Fit (mm)	Module	Pressure angle	Standard
H10VO28	13	20.64	16/32	30°	SAE J498B
H10VO45	15	23.813			SAE J498B
H10VO71/74	14	28	2		DIN 5480

Dimensions of Shaft End(Key Type)

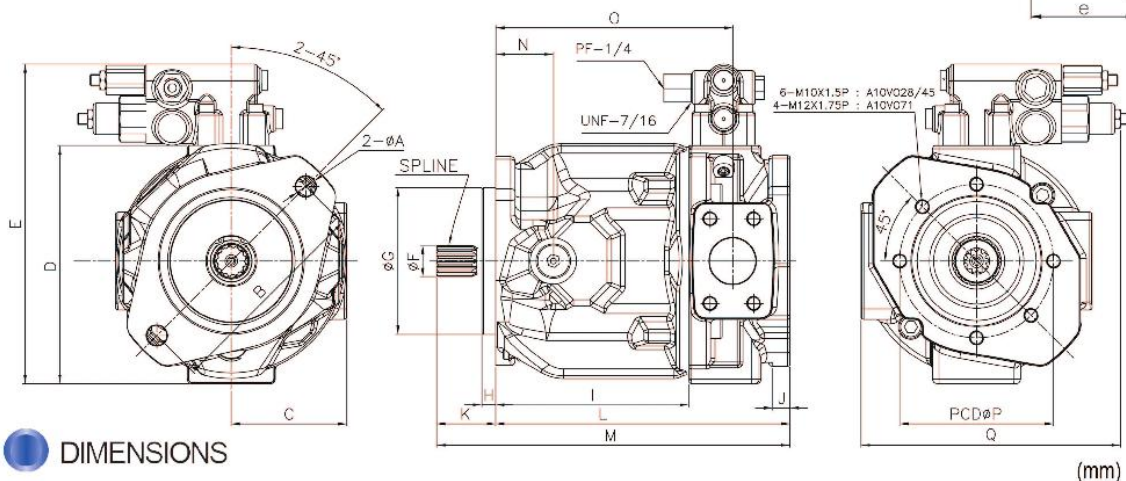
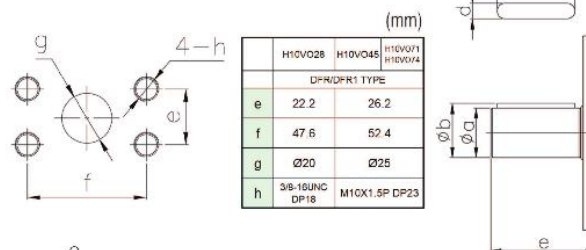
MODEL	a	b	c	d	e	Standard
H10VO28 DFR/DFR1 TYPE	22.225	25	28.6	6.35	40.5	DIN6885



Flange Mounting face for Suction Port



Flange Mounting face for Delivery Port



DIMENSIONS

MODEL	A	B	C	D	E	F	G	H	I	J	K	L	M	N	O	P	Q
H10VO28	14	146	80	165	222.5	21.7	101.6	9.5	134	12	41	204	245	40	164	106.5	180
H10VO45			90	185	241.5	25		8.5	149.5	22	46	220.5	266.5	45.5	183.5		190
H10VO71/74	18	181	104	213	269	31.2	127	12.7	177	-	55.5	257	312	62	217	-	206

H10VO28/45/71/74(ED TYPE)

LOAD SENSING & CUT-OFF CONTROL

SWASH PLATE TYPE PISTON PUMP



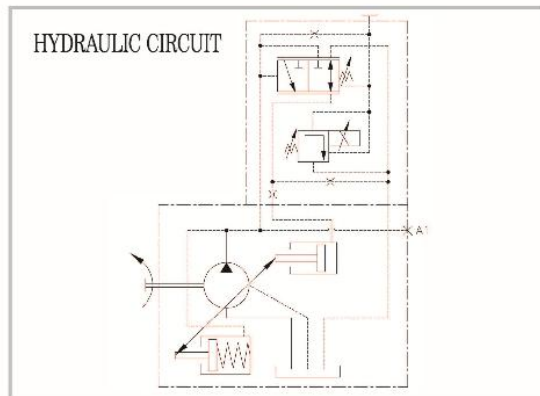
SPECIFICATIONS

MODEL	H10VO28	H10VO45	H10VO71 H10VO74
	ED TYPE		
Discharge Rate(cc/rev)	28	45	71 74
Max. Pressure (kg/cm ²)	280		
Max. Speed (rpm)	3,000		

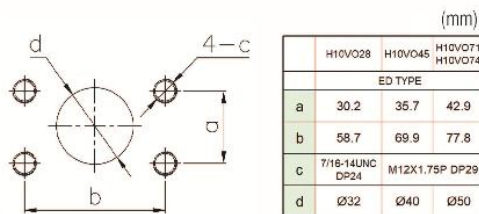


Dimensions of Shaft End(Spline Type)

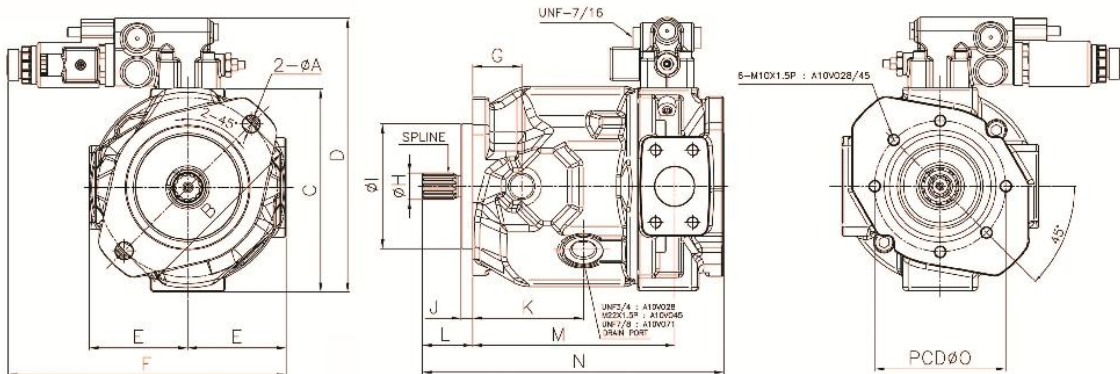
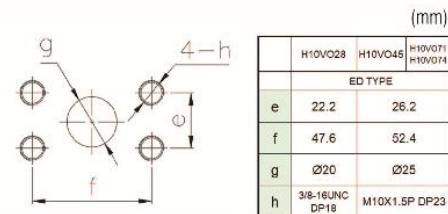
MODEL	No. of teeth	Fish circle dia.(mm)	Module	Pressure angle	Standard
H10VO28	13	20.64	16/32	30°	SAE J498B
H10VO45	15	23.813			SAE J498B
H10VO71/74	14	28			DIN 5480



Flange Mounting face for Suction Port



Flange Mounting face for Delivery Port



DIMENSIONS

MODEL	A	B	C	D	E	F	G	H	I	J	K	L	M	N	O
H10VO28	14	146	165	222.5	80	226	40	21.7	101.6	9.5	90	41	164	245	106.5
H10VO45			185	241.5	90	236	45.5	25		8.5	96.5	46	183.5	266.5	
H10VO71/74	18	181	213	269	104	250	62	31.2	127	12.7	114.8	55.5	217	312	-

H10VO28LR FOR ZAXIS70

HORSE POWER CONTROL

SWASH PLATE TYPE PISTON PUMP

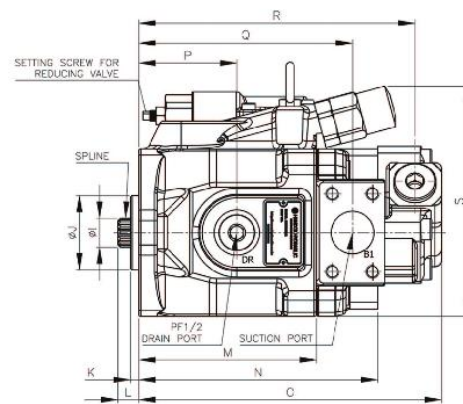
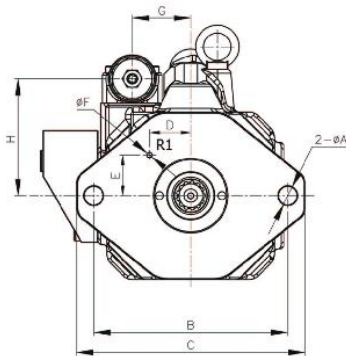
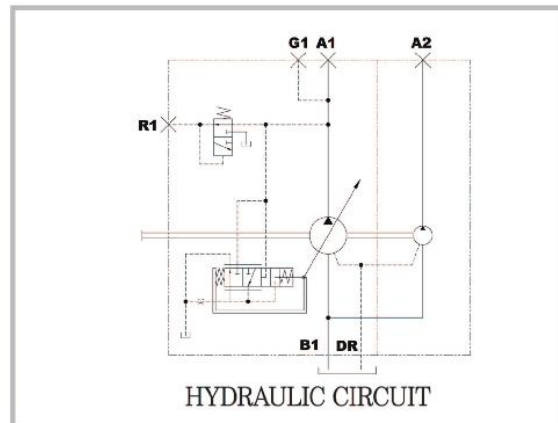


SPECIFICATIONS

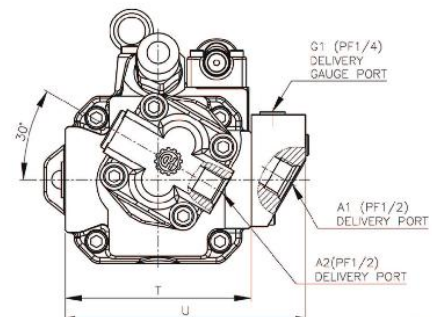
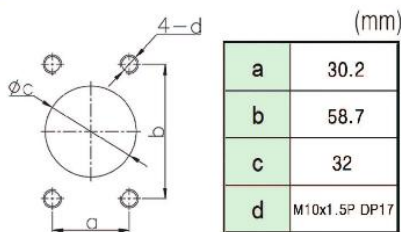
MODEL	H10VO28LR
Discharge rate(cc/rev)	28
Max. pressure (kg/cm ²)	260
Max.speed(rpm)	2300

Dimensions of Shaft End(Spline Type)

MODEL	No. of teeth	Pitch circle dia(mm)	Module	Pressure angle	Standard
H10VO28LR	13	20.64	16/32	30°	SAE J498B



Flange Mounting face for Suction Port



DIMENSIONS

MODEL	A	B	C	D	E	F	G	H	I	J	K	L	M	N	O	P	Q	R	S	T	U
H10VO28LR	14	146	172	31	30.6	4	44	88	21.8	56	6.3	16	134	180	228	74	161	208	173	140	181