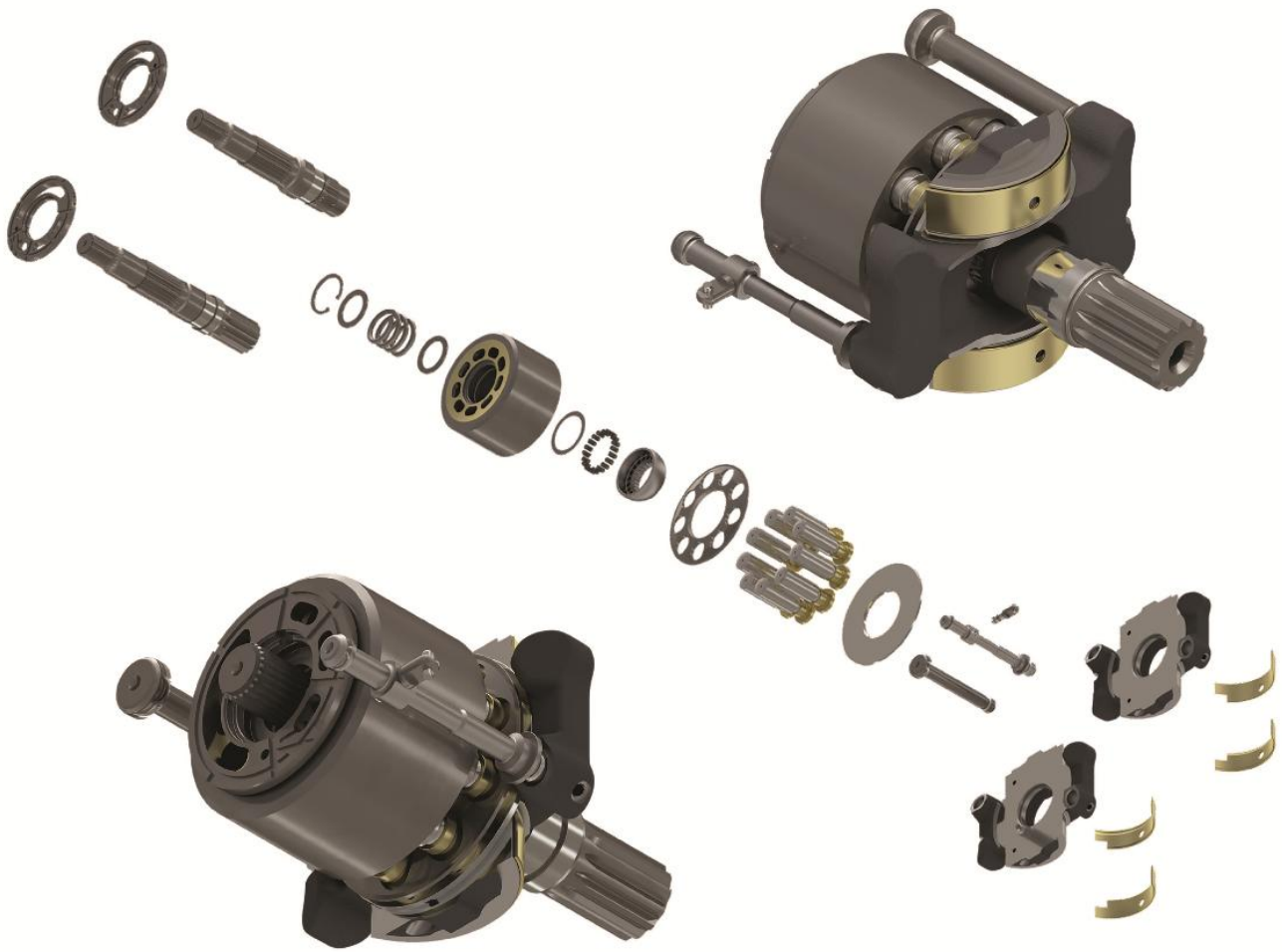
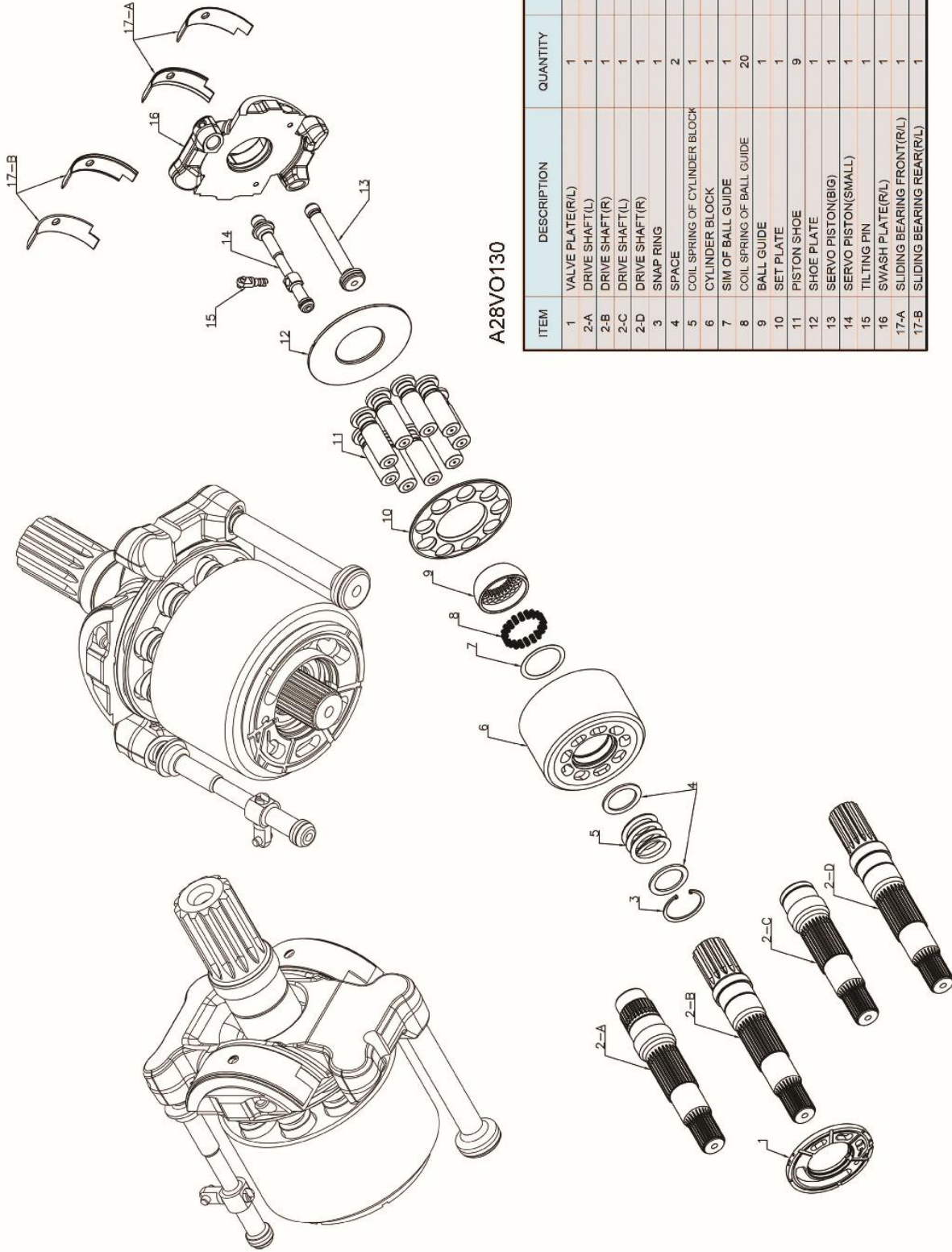




# A28VO130



# A28VO130



A28VO130

ITEM	DESCRIPTION	QUANTITY	REMARK
1	VALVE PLATE(R/L)	1	
2-A	DRIVE SHAFT(L)	1	
2-B	DRIVE SHAFT(R)	1	
2-C	DRIVE SHAFT(L)	1	V90N130
2-D	DRIVE SHAFT(R)	1	V90N130
3	SNAP RING	1	
4	SPACE	2	
5	COIL SPRING OF CYLINDER BLOCK	1	
6	CYLINDER BLOCK	1	
7	SIM OF BALL GUIDE	1	
8	COIL SPRING OF BALL GUIDE	20	
9	BALL GUIDE	1	
10	SET PLATE	1	
11	PISTON SHOE	9	
12	SHOE PLATE	1	
13	SERVO PISTON(BIG)	1	
14	SERVO PISTON(SMALL)	1	
15	TILTING PIN	1	
16	SWASH PLATE(R/L)	1	
17-A	SLIDING BEARING FRONT(R/L)	1	
17-B	SLIDING BEARING REAR(R/L)	1	