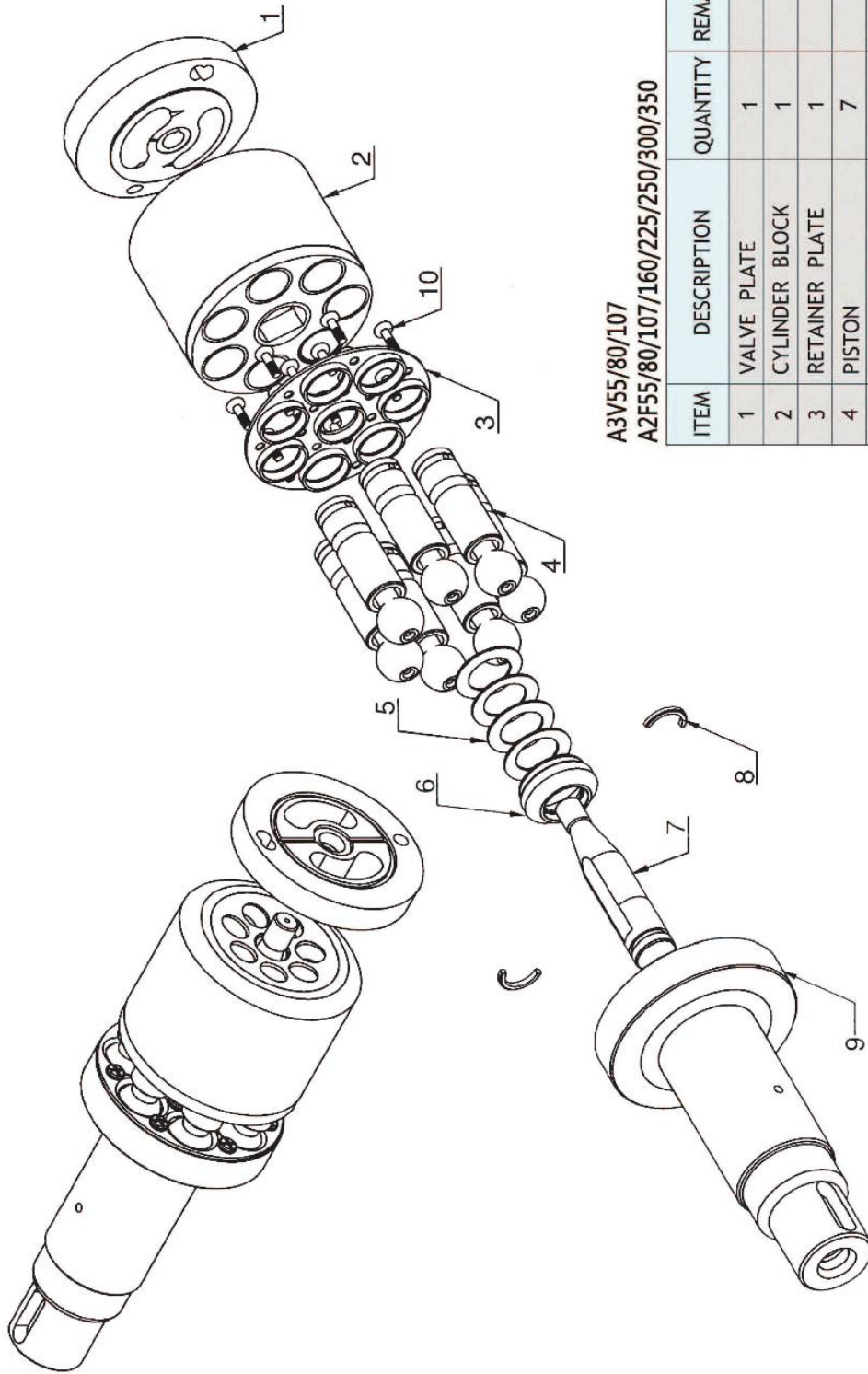


A2F, A3V SERIES



A3V55/80/107
A2F55/80/107/160/225/250/300/350

ITEM	DESCRIPTION	QUANTITY	REMARK
1	VALVE PLATE	1	
2	CYLINDER BLOCK	1	
3	RETAINER PLATE	1	
4	PISTON	7	
5	DISK SPRING	4	
6	DISK SPRING HOLDER	1	
7	CENTER PIN	1	
8	SPACE	2	
9	DRIVE SHAFT	1	
10	SOCKET BOLT	14	

HAN DOK HYDRAULIC



A2F, A3V SERIES

