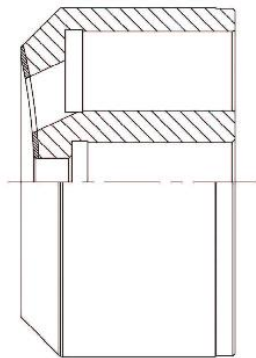




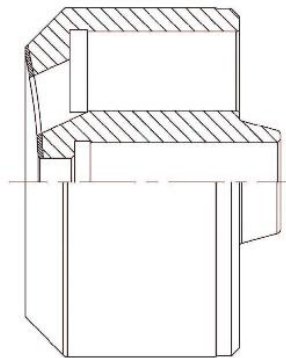
# A6VM SERIES



IT IS DIFFERENT SHAPE BETWEEN REXROTH TYPE AND UCHIDA TYPE

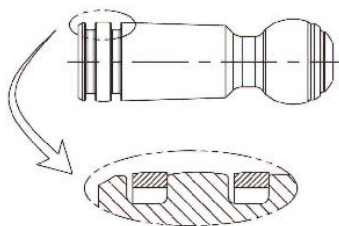


CYLINDER BLOCK



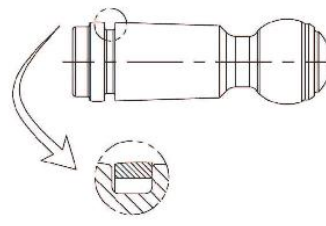
FOR REXROTH-TYPE

FOR UCHIDA-TYPE



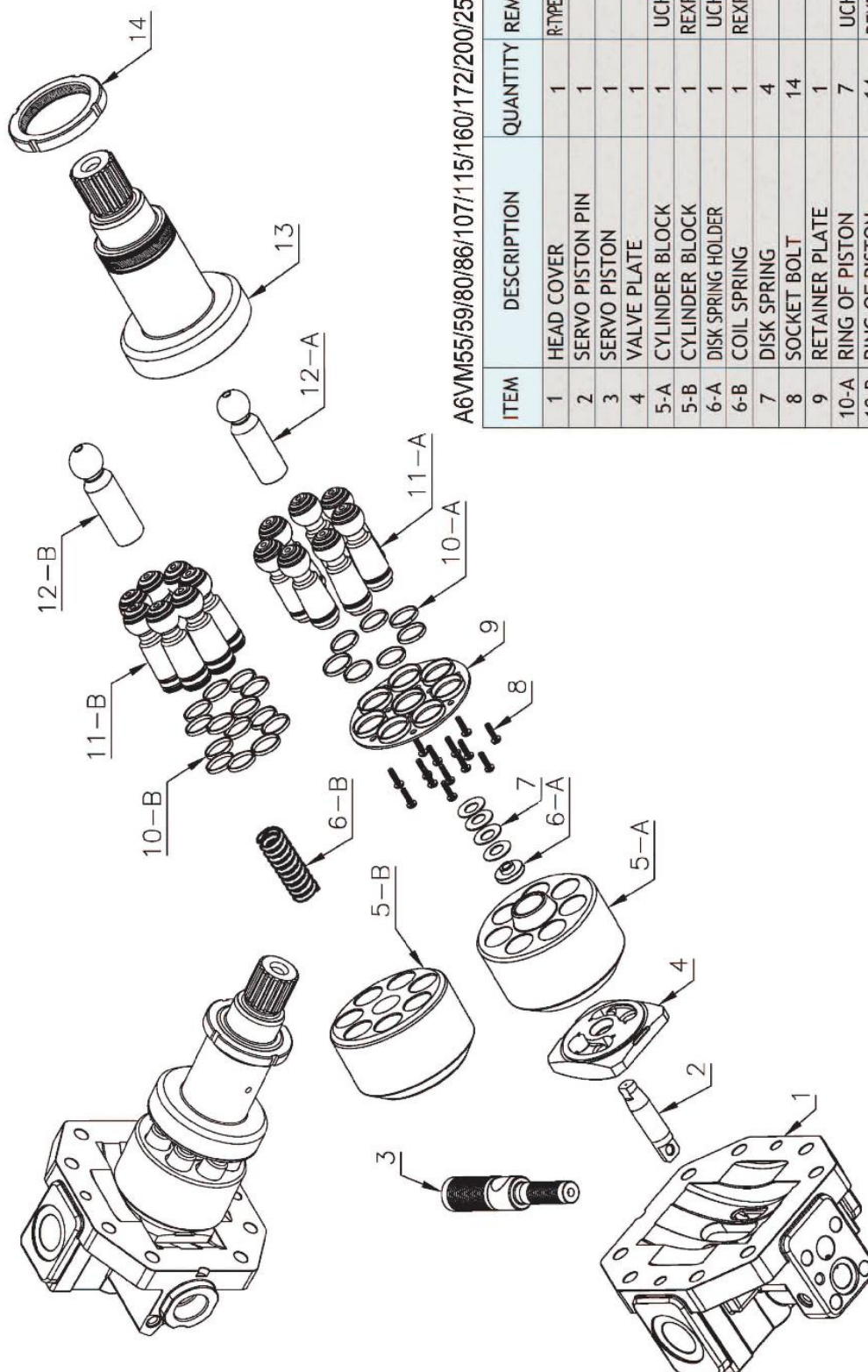
(TWO RING)

PISTON



(ONE RING)

# A6VM SERIES



A6VM55/59/80/86/107/115/160/172/200/250

ITEM	DESCRIPTION	QUANTITY	REMARK
1	HEAD COVER	1	R-TYPE, U-TYPE
2	SERVO PISTON PIN	1	
3	SERVO PISTON	1	
4	VALVE PLATE	1	
5-A	CYLINDER BLOCK	1	UCHIDA
5-B	CYLINDER BLOCK	1	REXROTH
6-A	DISK SPRING HOLDER	1	UCHIDA
6-B	COIL SPRING	1	REXROTH
7	DISK SPRING	4	
8	SOCKET BOLT	14	
9	RETAINER PLATE	1	
10-A	RING OF PISTON	7	UCHIDA
10-B	RING OF PISTON	14	REXROTH
11-A	PISTON (ONE RING)	7	UCHIDA
11-B	PISTON (TWO RING)	7	REXROTH
12-A	CENTER PIN (DISK)	1	
12-B	CENTER PIN (COIL)	1	
13	DRIVE SHAFT	1	
14	LOCK NUT	1	

HAN DOK HYDRAULIC