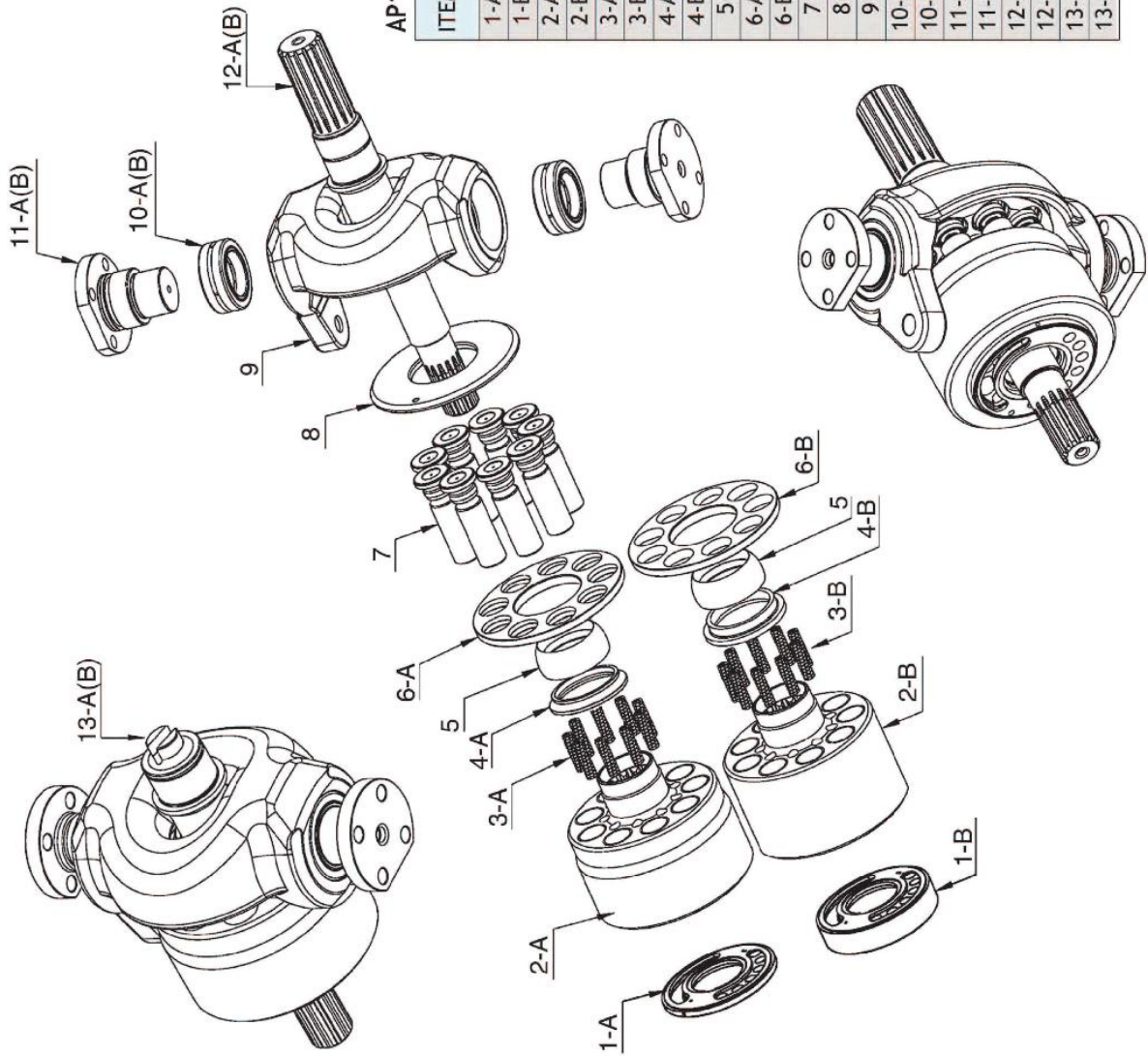


AP12(E200B,E320B)



AP12(E200B/E320B)

ITEM	DESCRIPTION	QUANTITY	REMARK
1-A	VALVE PLATE(E320B)(L/R)	1	
1-B	VALVE PLATE(E200B)(L/R)	1	
2-A	CYLINDER BLOC(E320B)	1	
2-B	CYLINDER BLOC(E200B)	1	
3-A	COIL SPRING(E320B)	9	
3-B	COIL SPRING(E200B)	9	
4-A	SPACE(E320B)	1	
4-B	SPACE(E200B)	1	
5	BALL GUIDE	1	
6-A	SET PLATE(E320B)	1	
6-B	SET PLATE(E200B)	1	
7	PISTON SHOE	9	
8	SHOE PLATE(E200B/E320B)	1	
9	SWASH PLATE	1	
10-A	BEARING(E320B)	2	
10-B	BEARING(E200B)	2	
11-A	AXLE SHAFT(E320B)	2	(88X50X40)
11-B	AXLE SHAFT(E200B)	2	(84X50X35)
12-A	DRIVE SHAFT-R(E320B)	1	
12-B	DRIVE SHAFT-R(E200B)	1	
13-A	DRIVE SHAFT-L(E320B)	1	
13-B	DRIVE SHAFT-L(E200B)	1	

HAN DOK HYDRAULIC



AP12(E200B,E320B)

