

HP2D36 SWASH PLATE TYPE PISTON PUMP

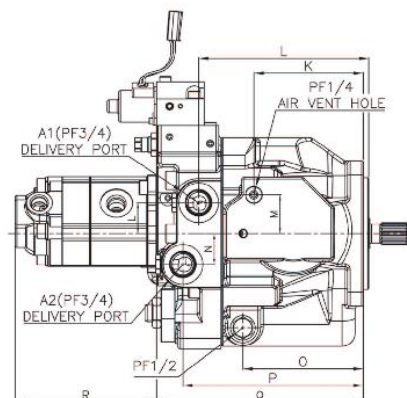
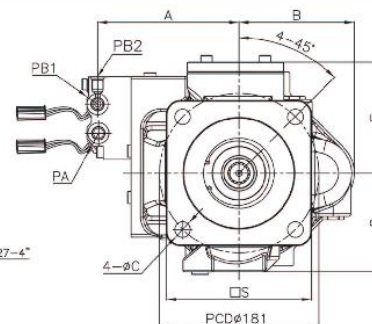
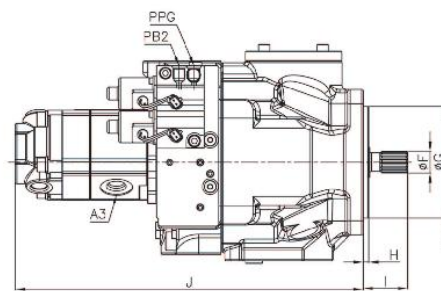
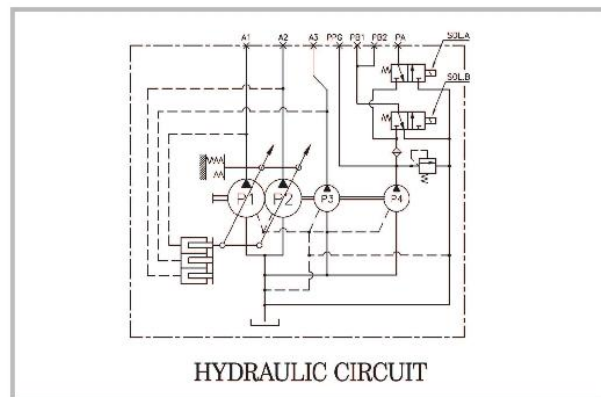
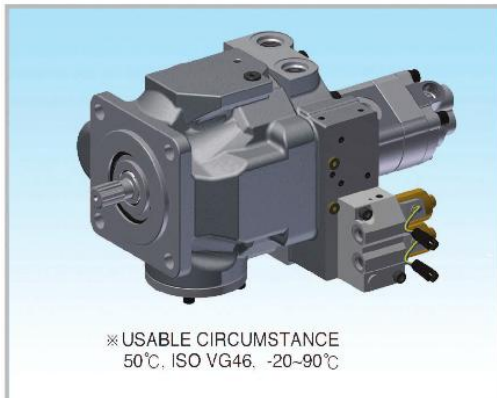


SPECIFICATIONS

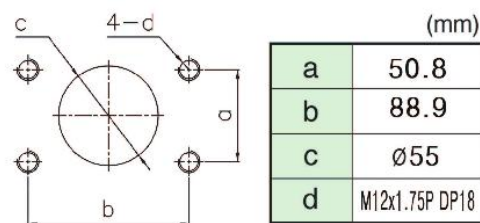
MODEL	HP2D36
Discharge Rate(cc/rev)	36
Max. Pressure (kg/cm²)	260
Max. Speed (rpm)	2200

Dimensions of Shaft End(Spline Type)

MODEL	No. of teeth	Pitch circle dia(mm)	Module	Pressure angle	Standard
HP2D36	14	29.634	12/24	30°	SAE J498B
	15	23.813	16/32	30°	SAE J498B



Flange Mounting face for Suction Port



DIMENSIONS

(mm)

MODEL	SPLINE	A	B	C	D	E	F	G	H	I	J	K	L	M	N	O	P	Q	R	S
HP2D36	14T	160.5	131	21	112	126	31.2	127	6.5	50.8	395	124	186.6	44	35	136.5	204.6	234.5	160.5	165
	25																			

HP2D36 SWASH PLATE TYPE PISTON PUMP

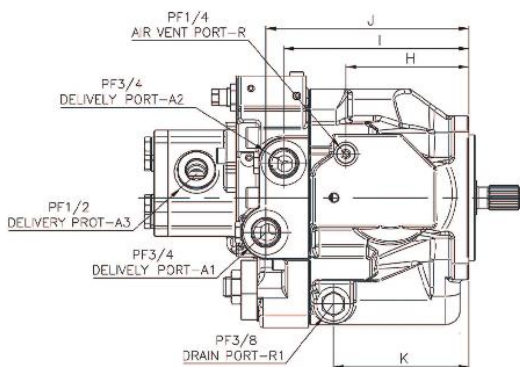
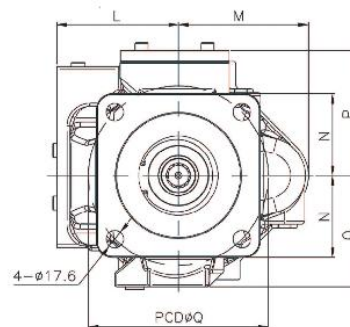
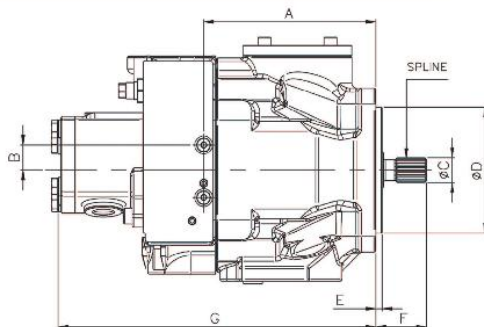
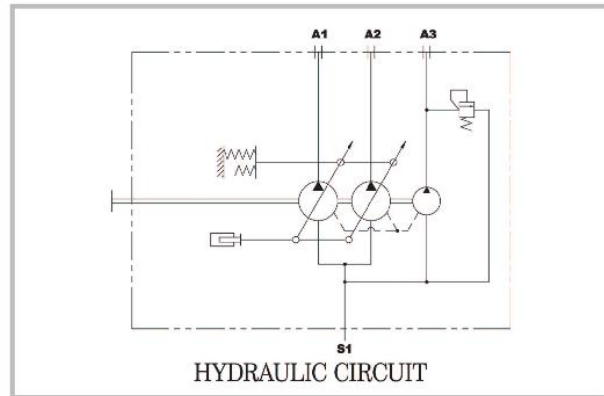
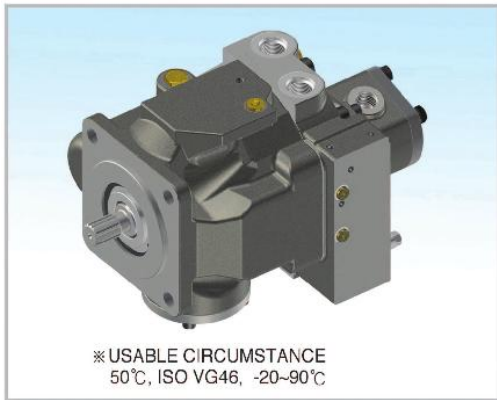


SPECIFICATIONS

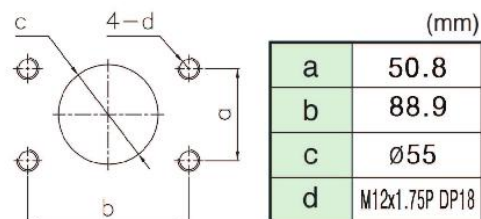
MODEL	HP2D36
Discharge Rate(cc/rev)	36
Max. Pressure (kg/cm²)	260
Max. Speed (rpm)	2200

Dimensions of Shaft End(Spline Type)

MODEL	No. of teeth	Pitch circle dia(mm)	Module	Pressure angle	Standard
HP2D36	14	29.634	12/24	30°	SAE J498B
	15	23.813	16/32	30°	SAE J498B



Flange Mounting face for Suction Port



DIMENSIONS

MODEL	SPLINE	A	B	C	D	E	F	G	H	I	J	K	L	M	N	O	P	Q
HP2D36	14T	173.5	25.5	31.2	127	6.5	51	317.5	124	186.6	204.6	136.5	122.5	131	82.5	112	126	181
	15T			25														

HP2D36 FOR HITACHI SWASH PLATE TYPE PISTON PUMP

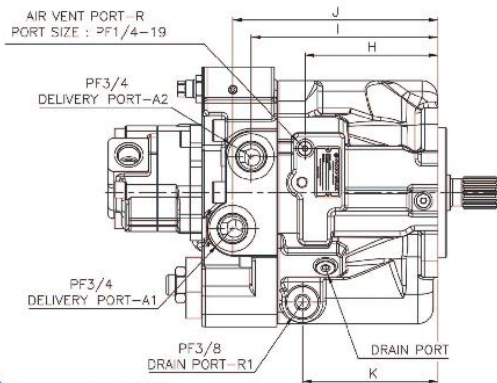
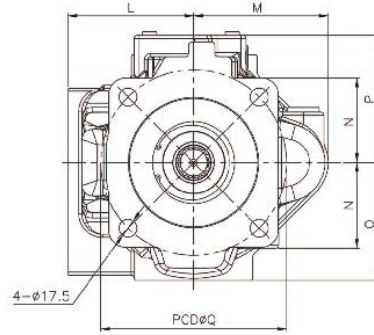
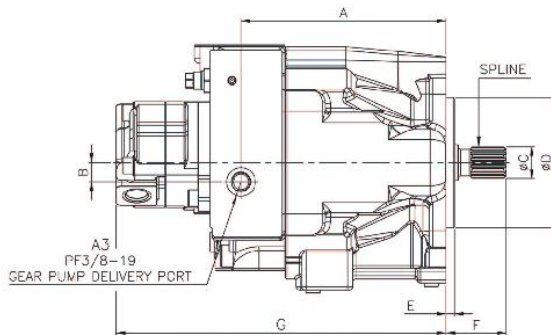
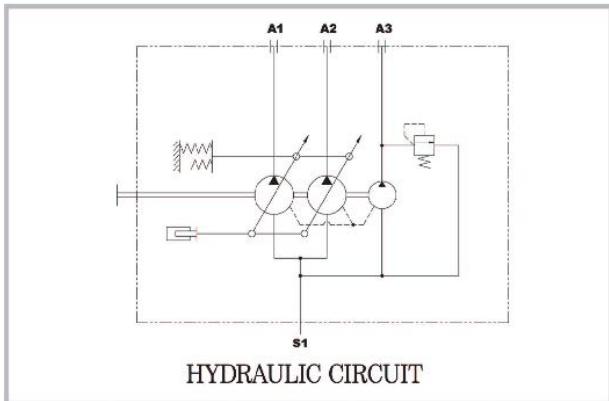
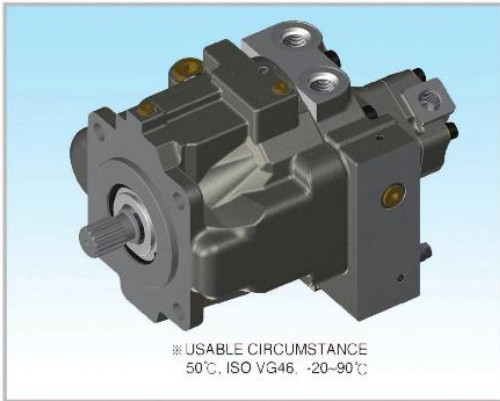


SPECIFICATIONS

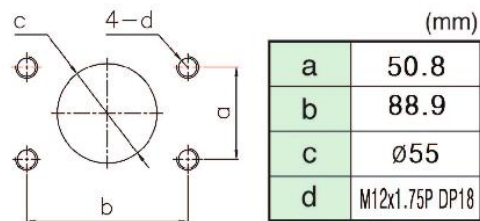
MODEL	HP2D36(HITACHI)
Discharge Rate (cc/rev)	36
Max. Pressure (kg/cm ²)	260
Max. Speed (rpm)	2200

Dimensions of Shaft End(Spline Type)

MODEL	No. of teeth	Pitch circle dia(mm)	Module	Pressure angle	Standard
HP2D36 (HITACHI)	14	29.634	12/24	30°	SAE J498B
	15	23.813	16/32	30°	SAE J498B



Flange Mounting face for Suction Port



DIMENSIONS

MODEL	SPLINE	A	B	C	D	E	F	G	H	I	J	K	L	M	N	O	P	Q
HP2D36 (HITACHI)	14T	200	18.8	31.2	127	8	58.8	321.7	129.7	182.2	200.2	132.3	122.5	131	82.5	115	124	181
	15T			25														

HP2D36 FOR HITACHI SWASH PLATE TYPE PISTON PUMP

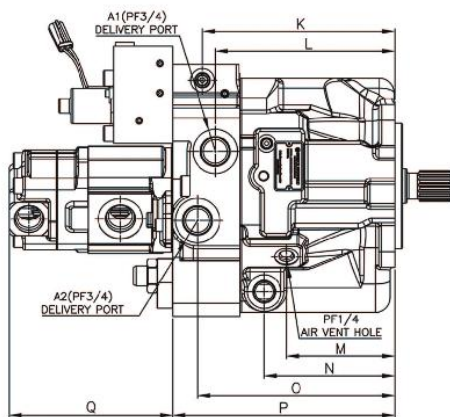
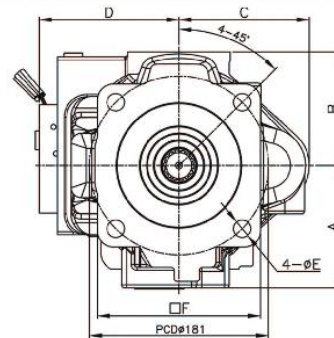
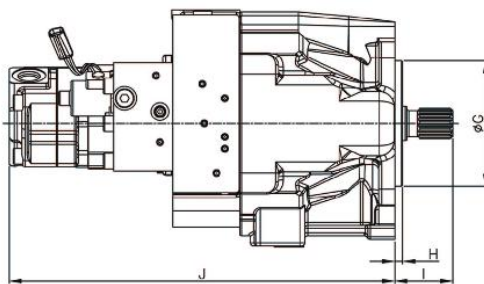
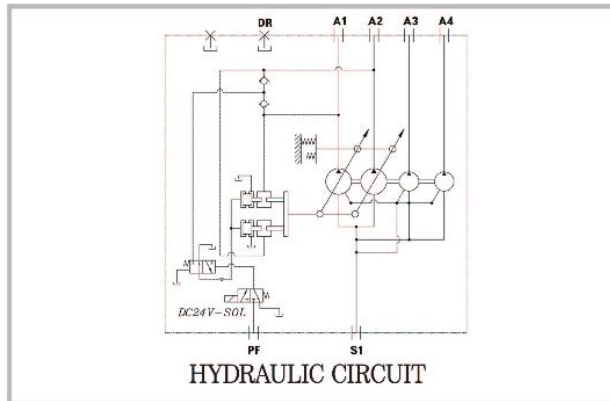


SPECIFICATIONS

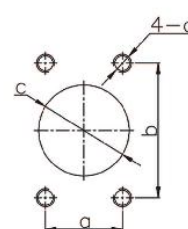
MODEL	HP2D36(EX75)
Discharge Rate (cc/rev)	36
Max. Pressure (kg/cm²)	260
Max. Speed (rpm)	2300

Dimensions of Shaft End(Spline Type)

MODEL	No. of teeth	Pitch circle dia(mm)	Module	Pressure angle	Standard
HP2D36 (EX75)	14	29.634	12/24	30°	SAE 498B



Flange Mounting face for Suction Port



	(mm)
a	42.9
b	77.8
c	Ø45
d	M12x1.75P Dp18

DIMENSIONS

(mm)

MODEL	A	B	C	D	E	F	G	H	I	J	K	L	M	N	O	P	Q
HP2D36 (EX75)	124	115	132	141.5	17.5	165	127	8	58.7	390	195	182	110	132	200	225	165.5

HP2D36 FOR HITACHI SWASH PLATE TYPE PISTON PUMP

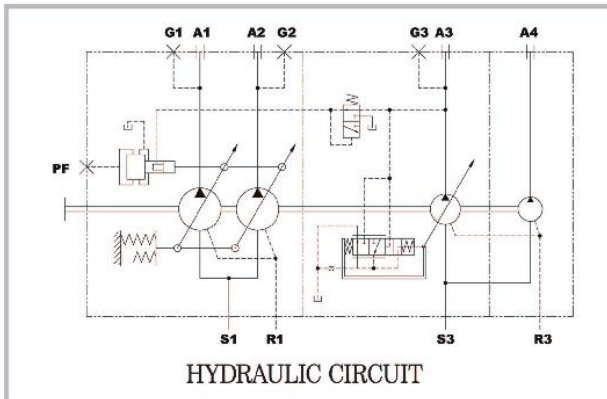
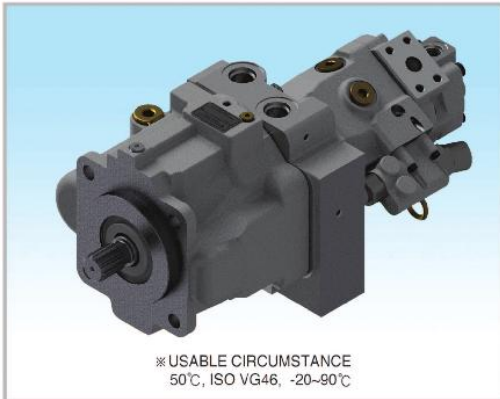


SPECIFICATIONS

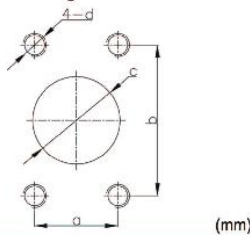
MODEL	HP2D36(ZX70)
Discharge Rate (cc/rev)	36 / 28
Max. Pressure (kg/cm²)	260
Max. Speed (rpm)	2300

Dimensions of Shaft End(Spline Type)

MODEL	No. of teeth	Pitch circle dia(mm)	Module	Pressure angle	Standard
HP2D36 (ZX70)	14	29.634	12/24	30°	SAE 498B

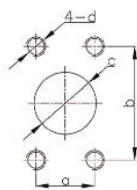


Flange Mounting face for Suction Port



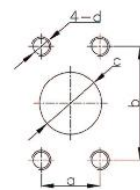
MODEL	a	b	c	d
HP2D36(ZX70)	42.9	77.8	∅39	M12x1.75P Dp20

Flange Mounting face for Suction Port

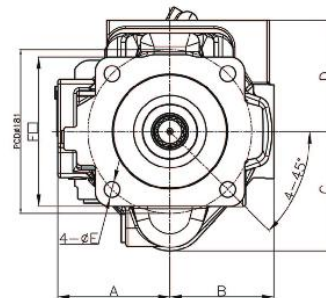
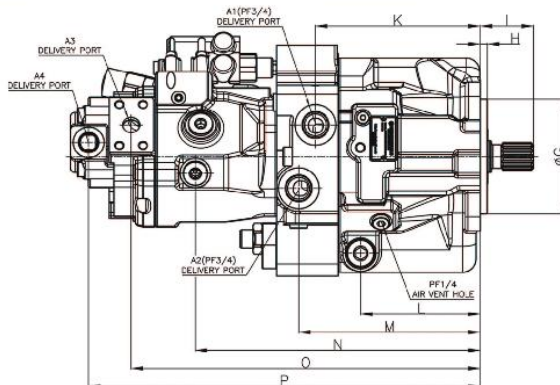


MODEL	a	b	c	d
A10VO28LR	30.2	58.7	∅32	M10x1.5P Dp18

Flange Mounting face for Delivery Port



MODEL	a	b	c	d
A10VO28LR	26.2	52.2	∅19	M8x1.0P Dp18



DIMENSIONS

MODEL	A	B	C	D	E	F	G	H	I	J	K	L	M	N	O	P
HP2D36 (ZX70)	124	115	132	141.5	17.5	165	127	8	58.7	453	182.2	132.2	200.7	315	386	433

