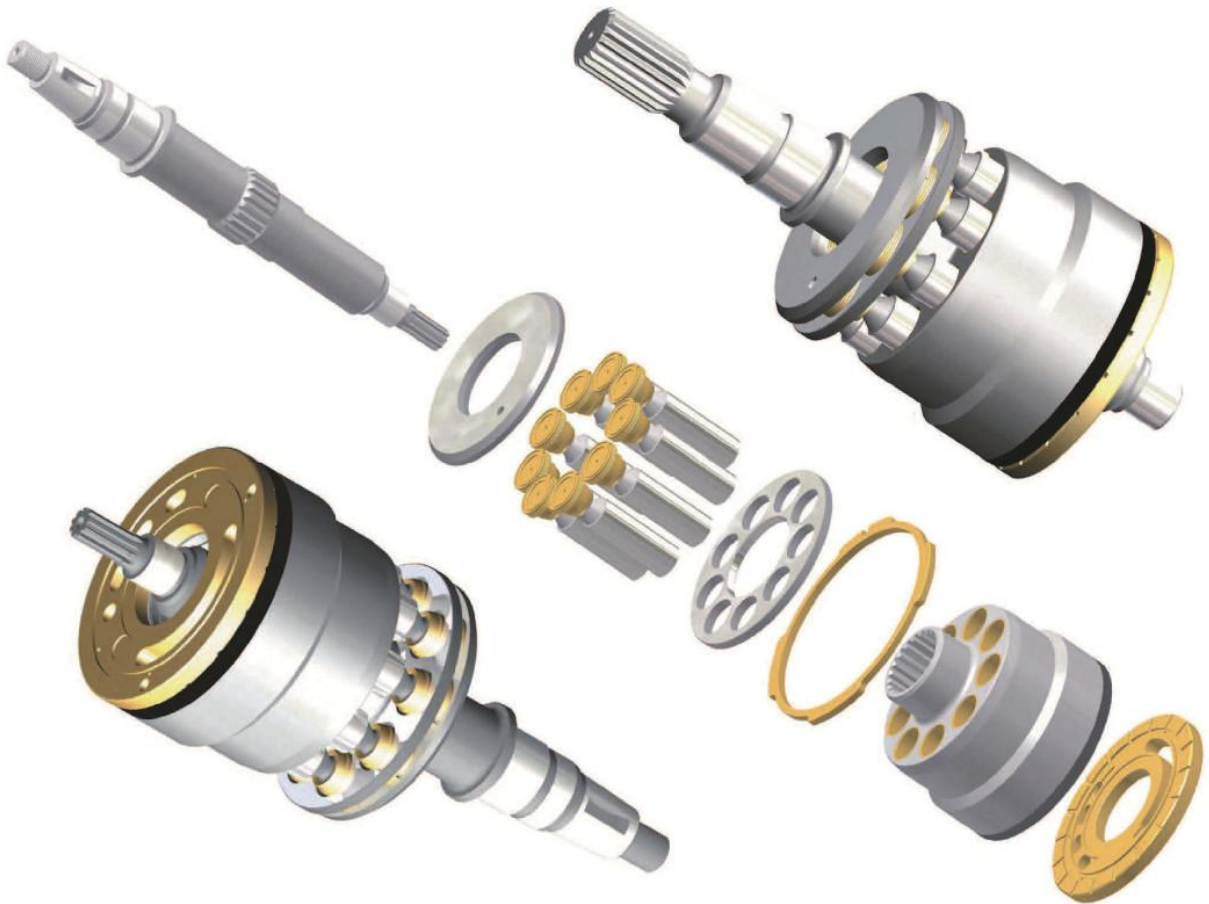
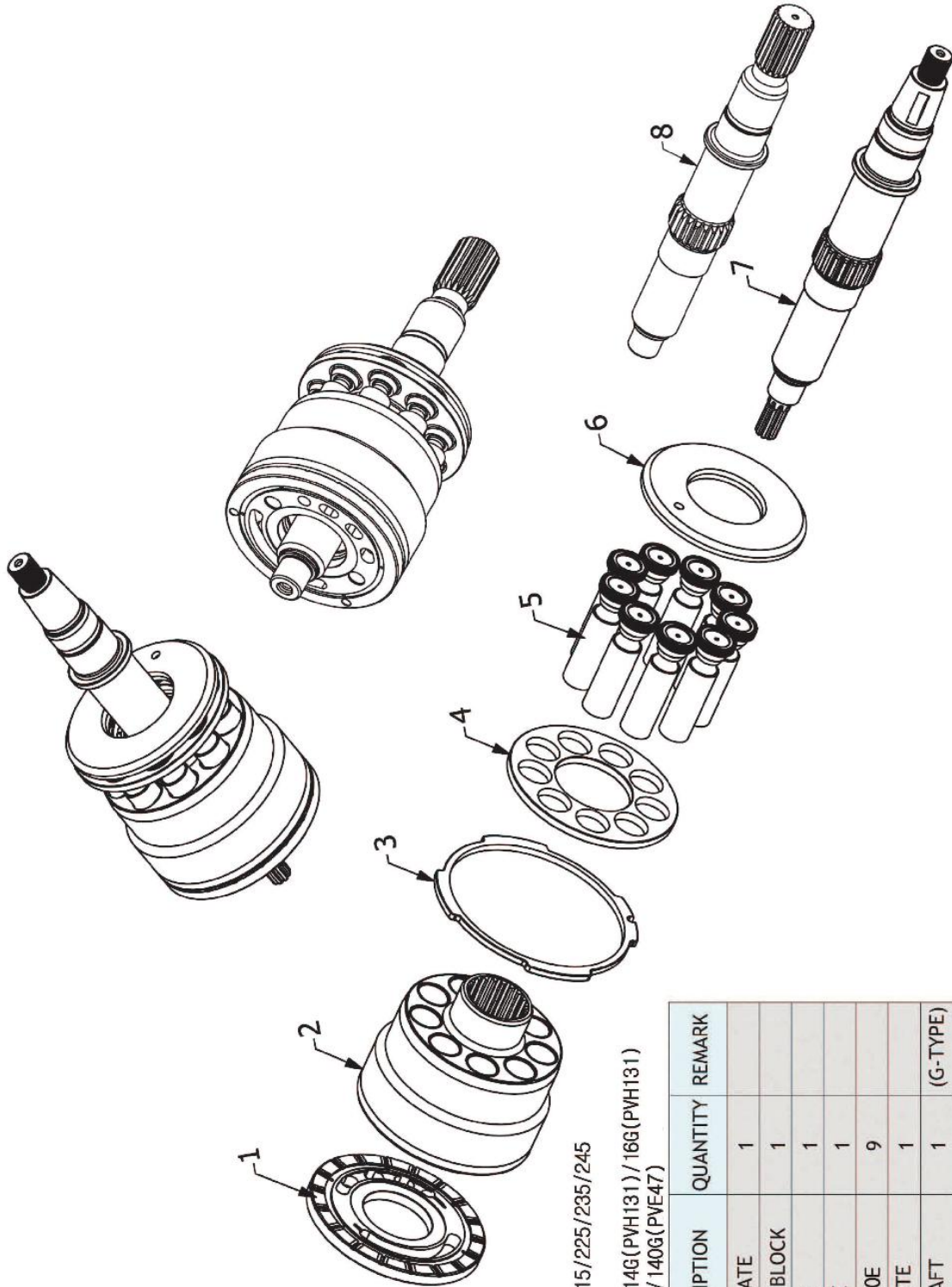




CAT SERIES



CAT SERIES



EXCAVATOR CAT215/225/235/245
 MOTOR GRADER
 CAT12G(PVH98) / 14G(PVH131) / 16G(PVH131)
 CAT120G(PVE35) / 140G(PVE47)

ITEM	DESCRIPTION	QUANTITY	REMARK
1	VALVE PLATE	1	
2	CYLINDER BLOCK	1	
3	FIX PLATE	1	
4	SET PLATE	1	
5	PISTON SHOE	9	
6	SHOE PLATE	1	
7	DRIVE SHAFT	1	(G-TYPE)
8	DRIVE SHAFT	1	(E-TYPE)

HAN DOK HYDRAULIC