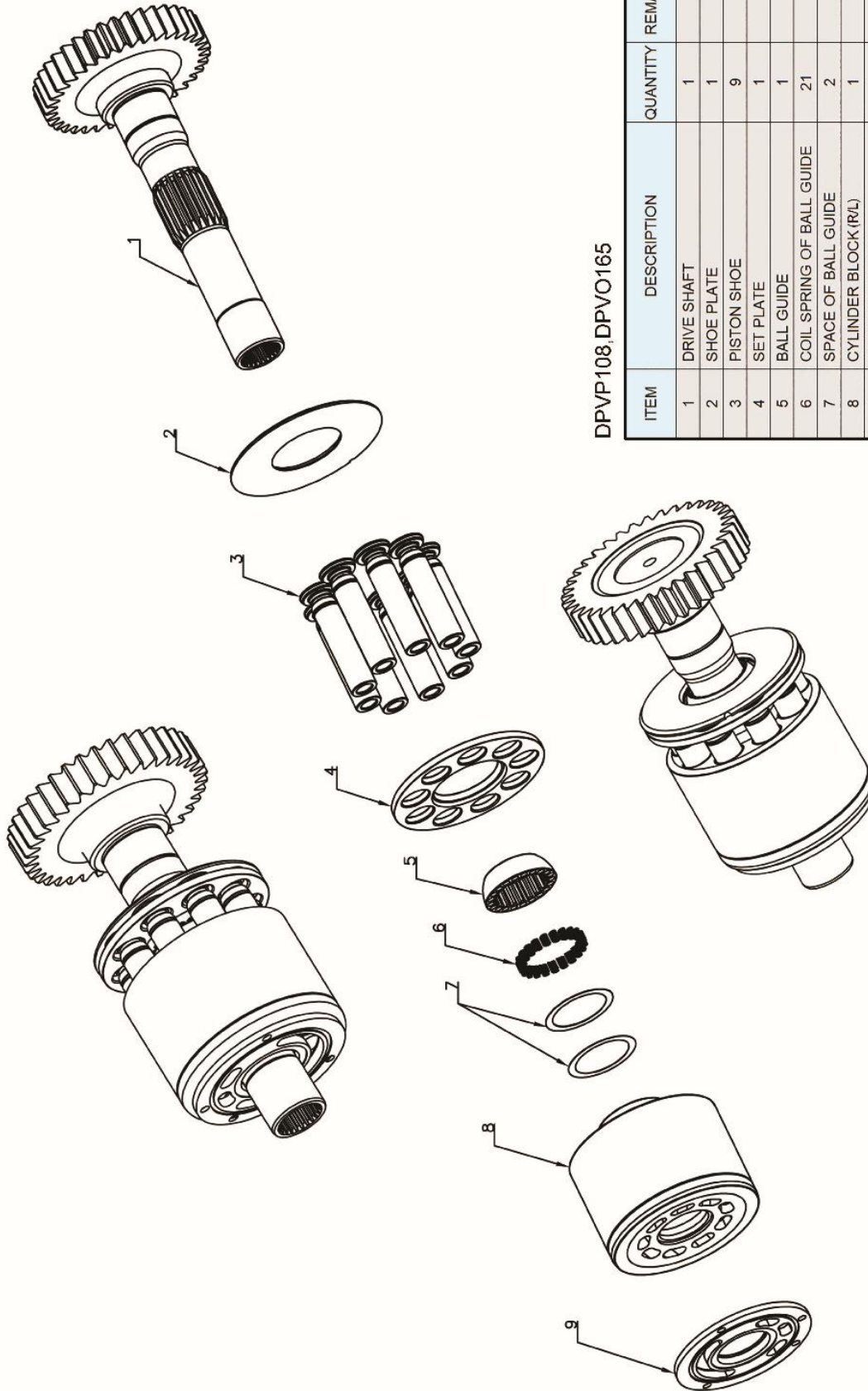


DPVP108, DPVO165



DPVP108, DPVO165

ITEM	DESCRIPTION	QUANTITY	REMARK
1	DRIVE SHAFT	1	
2	SHOE PLATE	1	
3	PISTON SHOE	9	
4	SET PLATE	1	
5	BALL GUIDE	1	
6	COIL SPRING OF BALL GUIDE	21	
7	SPACE OF BALL GUIDE	2	
8	CYLINDER BLOCK (R/L)	1	
9	VALVE PLATE (R/L)	1	

HAN DOK HYDRAULIC



DPVP108, DPVO165

