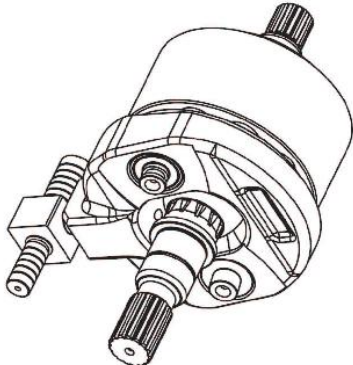
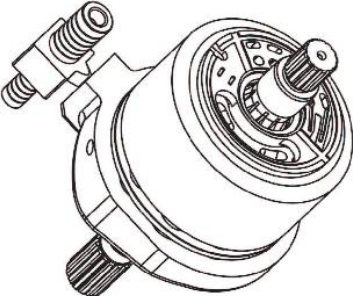
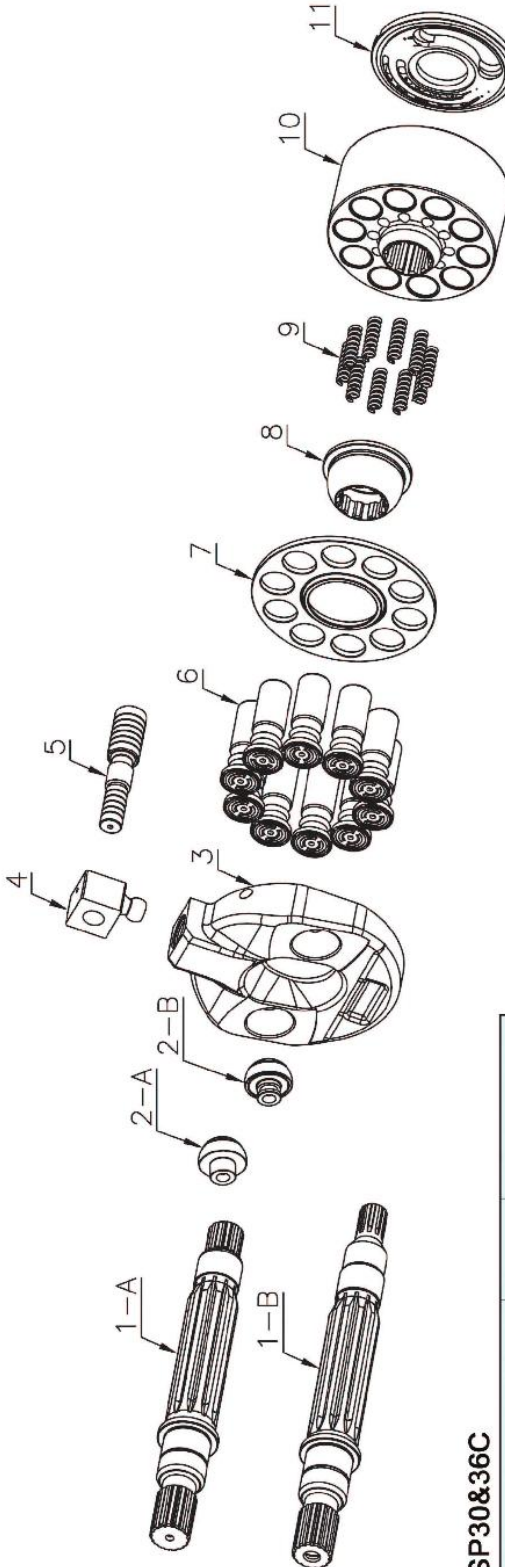


H3SP30&36C



H3SP30&36C

ITEM	DESCRIPTION	QUANTITY	REMARK
1-A	DRIVE SHAFT	1	SINGLE PILOT TYPE
1-B	DRIVE SHAFT	1	DOUBLE PILOT TYPE
2-A	SWASH PLATE PIVOT BALL (L)	1	
2-B	SWASH PLATE PIVOT BALL (R)	1	
3	SWASH PLATE	1	
4	TILTING PIN	1	
5	SERVO PISTON	1	
6	PISTON SHOE	10	
7	SET PLATE	1	
8	BALL GUIDE	1	
9	COIL SPRING	10	
10	CYLINDER BLOCK	1	
11	VALVE PLATE	1	

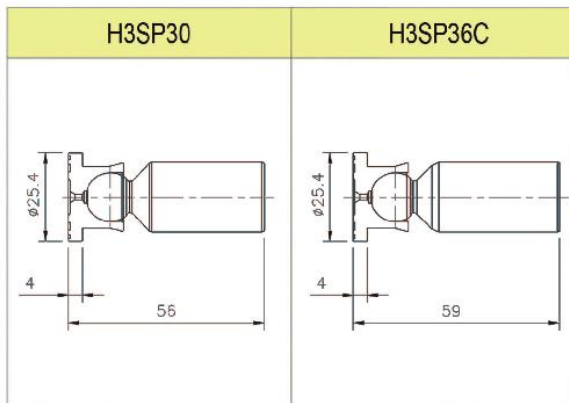
HAN DOK HYDRAULIC



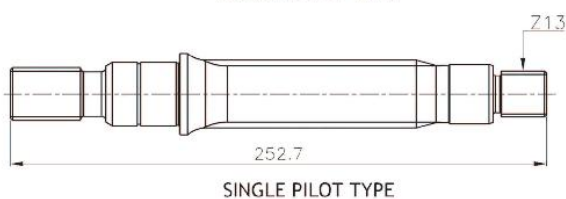
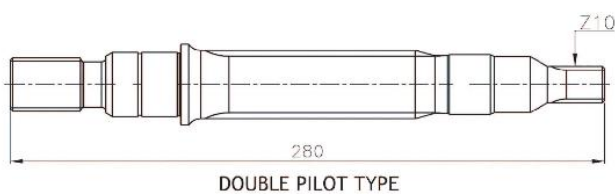
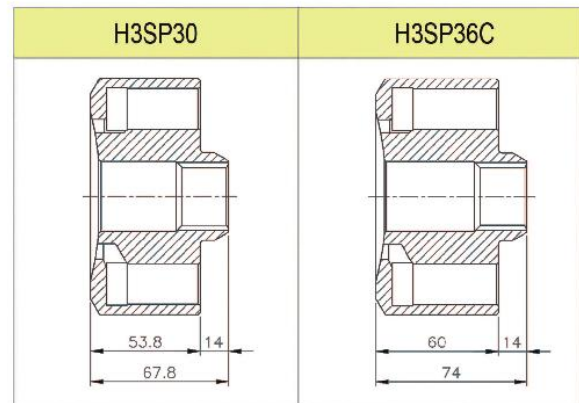
H3SP30&36C



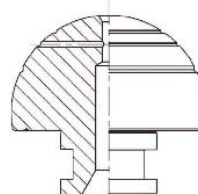
IT IS DIFFERENT PISTON



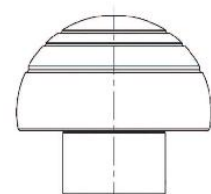
IT IS DIFFERENT CYLINDER BLOCK



IT IS DIFFERENT SHAPE BETWEEN DOUBLE AND SINGLE PILOT TYPE OF DRIVE SHAFT



(R)



(L)

IT IS DIFFERENT SHAPE BETWEEN R TYPE AND L TYPE OF BALL