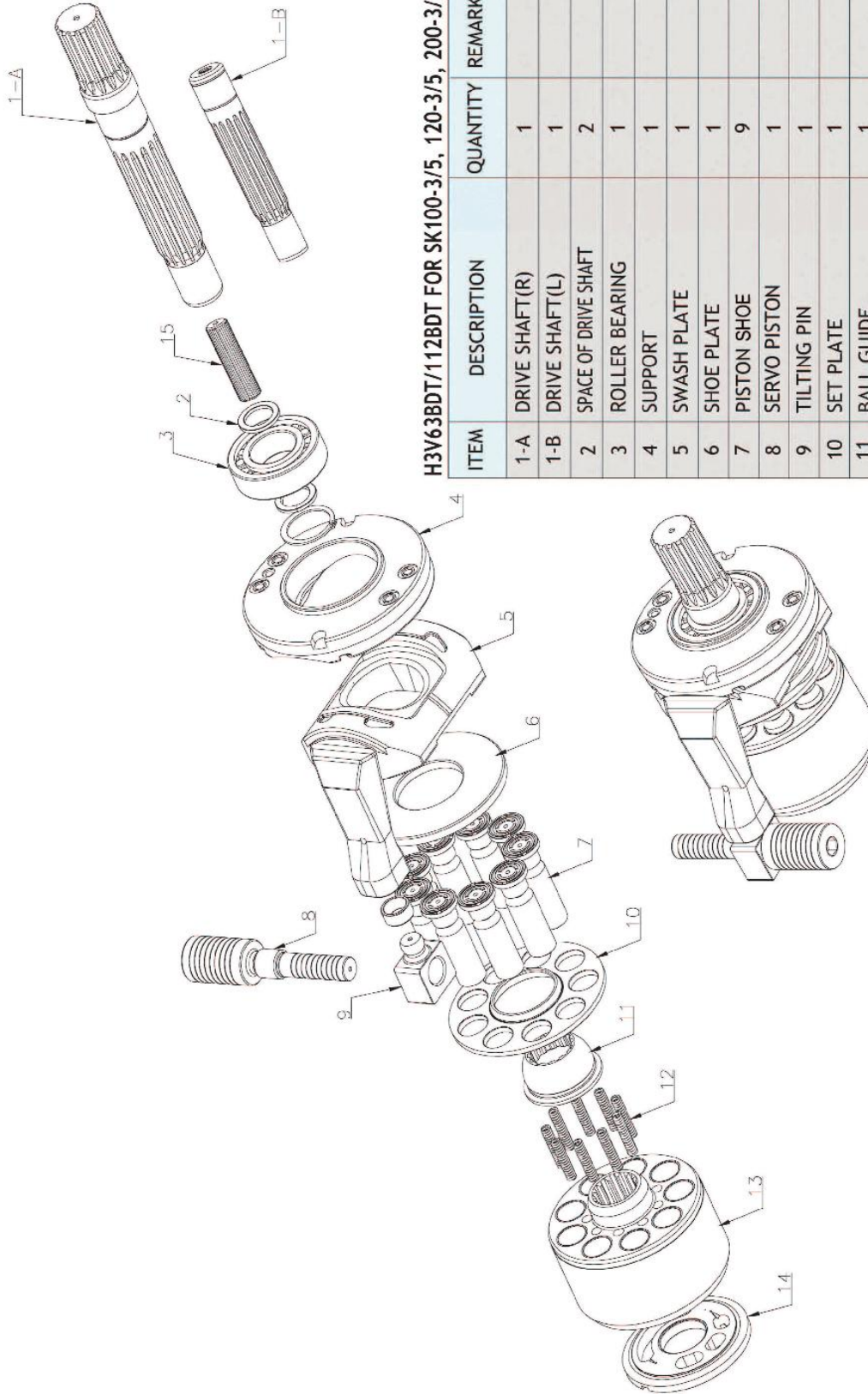


# H3V63BDT/112BDT FOR KOBELCO



H3V63BDT/112BDT FOR SK100-3/5, 120-3/5, 200-3/5, 220-3/5

ITEM	DESCRIPTION	QUANTITY	REMARK
1-A	DRIVE SHAFT (R)	1	
1-B	DRIVE SHAFT (L)	1	
2	SPACE OF DRIVE SHAFT	2	
3	ROLLER BEARING	1	
4	SUPPORT	1	
5	SWASH PLATE	1	
6	SHOE PLATE	1	
7	PISTON SHOE	9	
8	SERVO PISTON	1	
9	TILTING PIN	1	
10	SET PLATE	1	
11	BALL GUIDE	1	
12	COIL SPRING	9	
13	CYLINDER BLOCK	1	
14	VALVE PLATE	1	
15	COUPLING	1	

HAN DOK HYDRAULIC



# H3V63BDT/112BDT FOR KOBELCO

