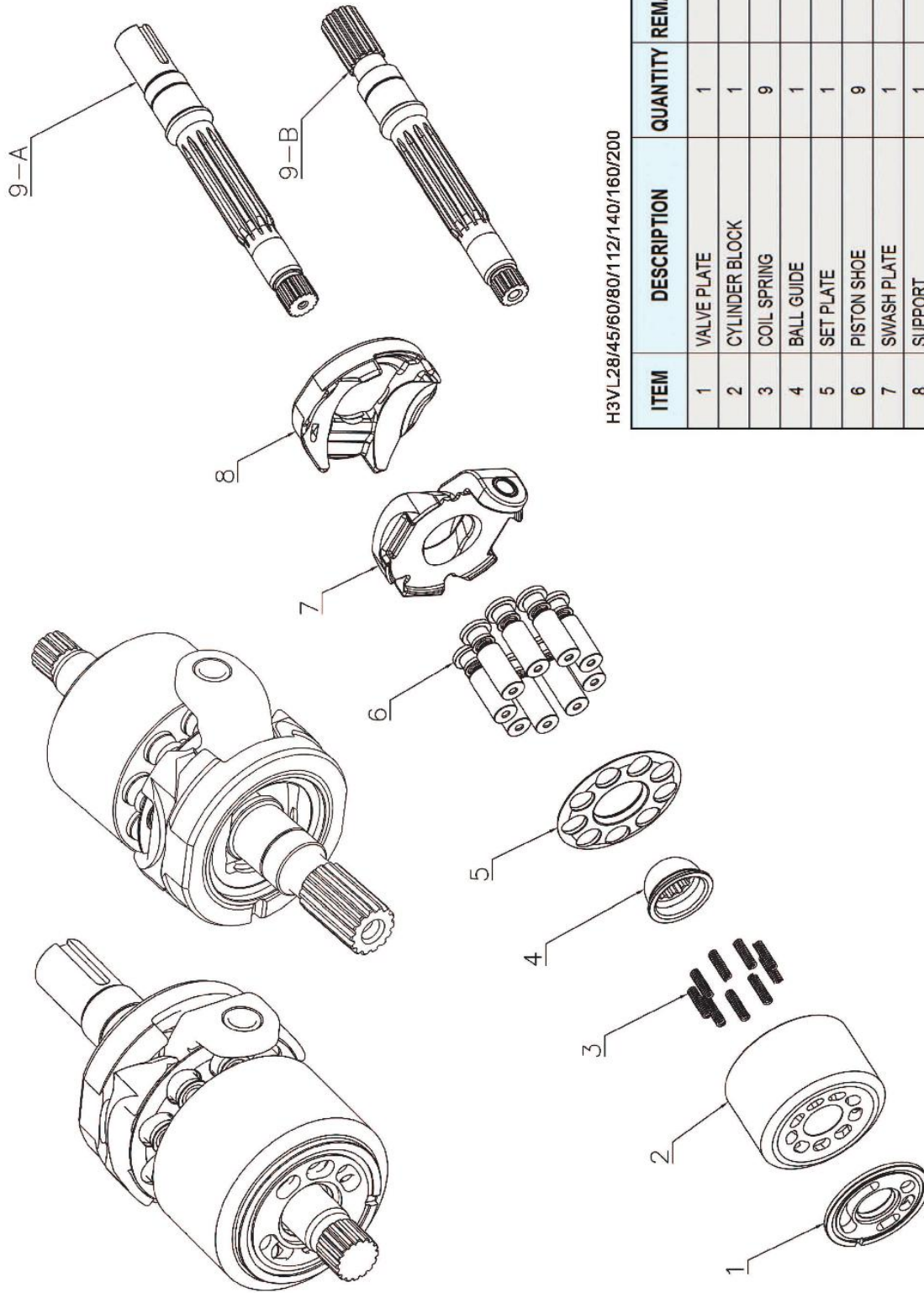




H3VL SERIES



H3VL SEREIES



H3VL28/45/60/80/112/140/160/200

ITEM	DESCRIPTION	QUANTITY	REMARK
1	VALVE PLATE	1	
2	CYLINDER BLOCK	1	
3	COIL SPRING	9	
4	BALL GUIDE	1	
5	SET PLATE	1	
6	PISTON SHOE	9	
7	SWASH PLATE	1	
8	SUPPORT	1	
9-A	DRIVE SHAFT (KEY TYPE)	1	ISO/SAE
9-B	DRIVE SHAFT (SPLINE TYPE)	1	

HAN DOK HYDRAULIC