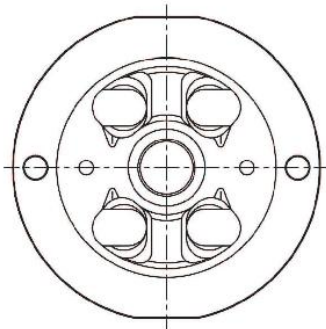
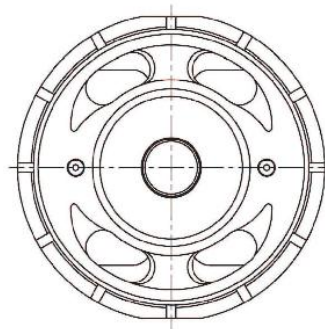
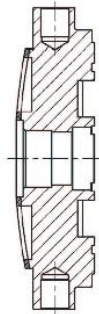




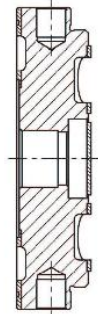
HMGC/HMGF SERIES



HMGF-TYPE



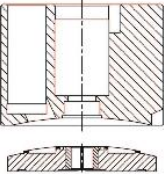
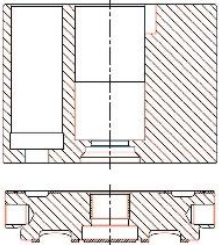
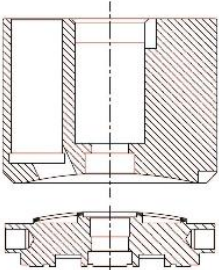
HMGC-TYPE

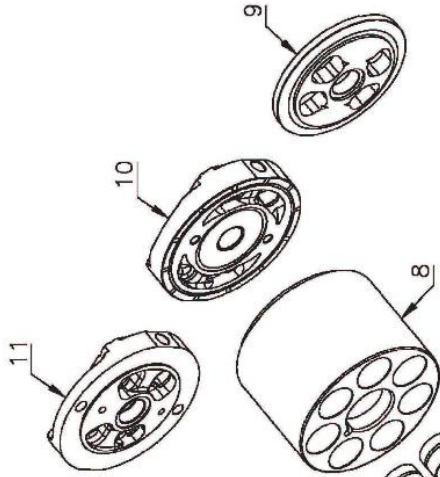


IT IS DIFFERENT SHAPE HMGC AND HMGF OF VALVE

HMGC/HMGF SERIES

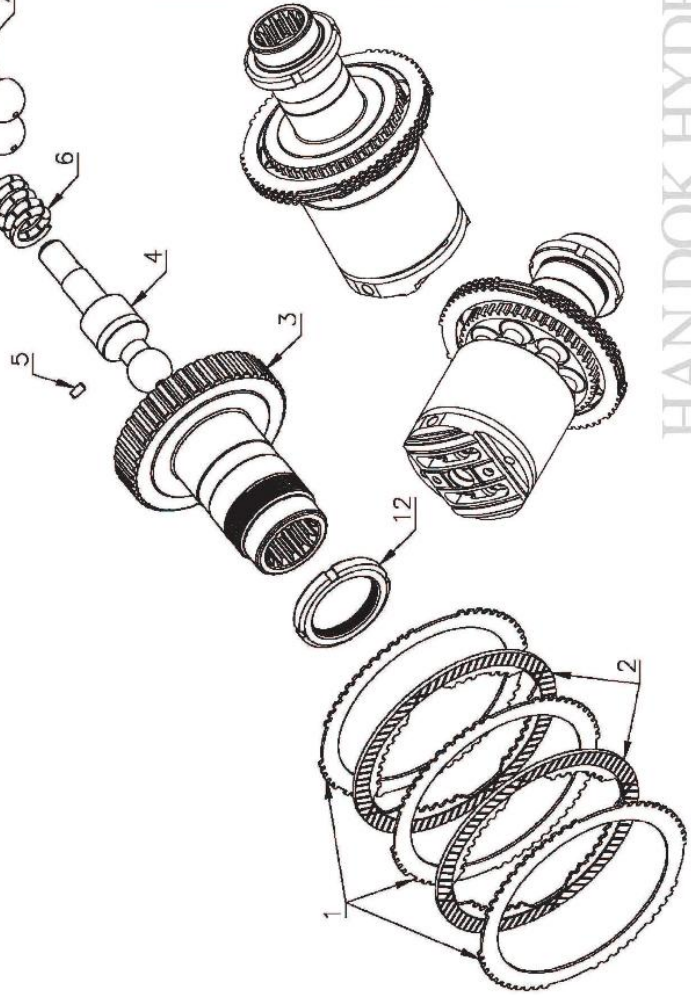


HMGC HMGF ROTOR & V/PLATE	HMGC16/32/48 	HMGF35 (FLAT TYPE) 	HMGF17/36/49/57 (ROUND TYPE) 
---------------------------------------	---	---	---



HMGC16/32/48, HMGF17/35/36/49/57

ITEM	DESCRIPTION	QUANTITY	REMARK
1	SEPARATION PLATE	3	
2	FRICION PLATE	2	
3	DRIVE SHAFT	1	
4	CENTER PIN	1	
5	PIN OF CENTER PIN	1	
6	COIL SPRING	1	
7	PISTON	7	
8	ROTOR	1	
9	VALVE PLATE	1	HMGC SERIES
10	VALVE PLATE	1	HMGF35
11	VALVE PLATE	1	HMGF36/49/57
12	LOCK NUT	1	



HAN DOK HYDRAULIC