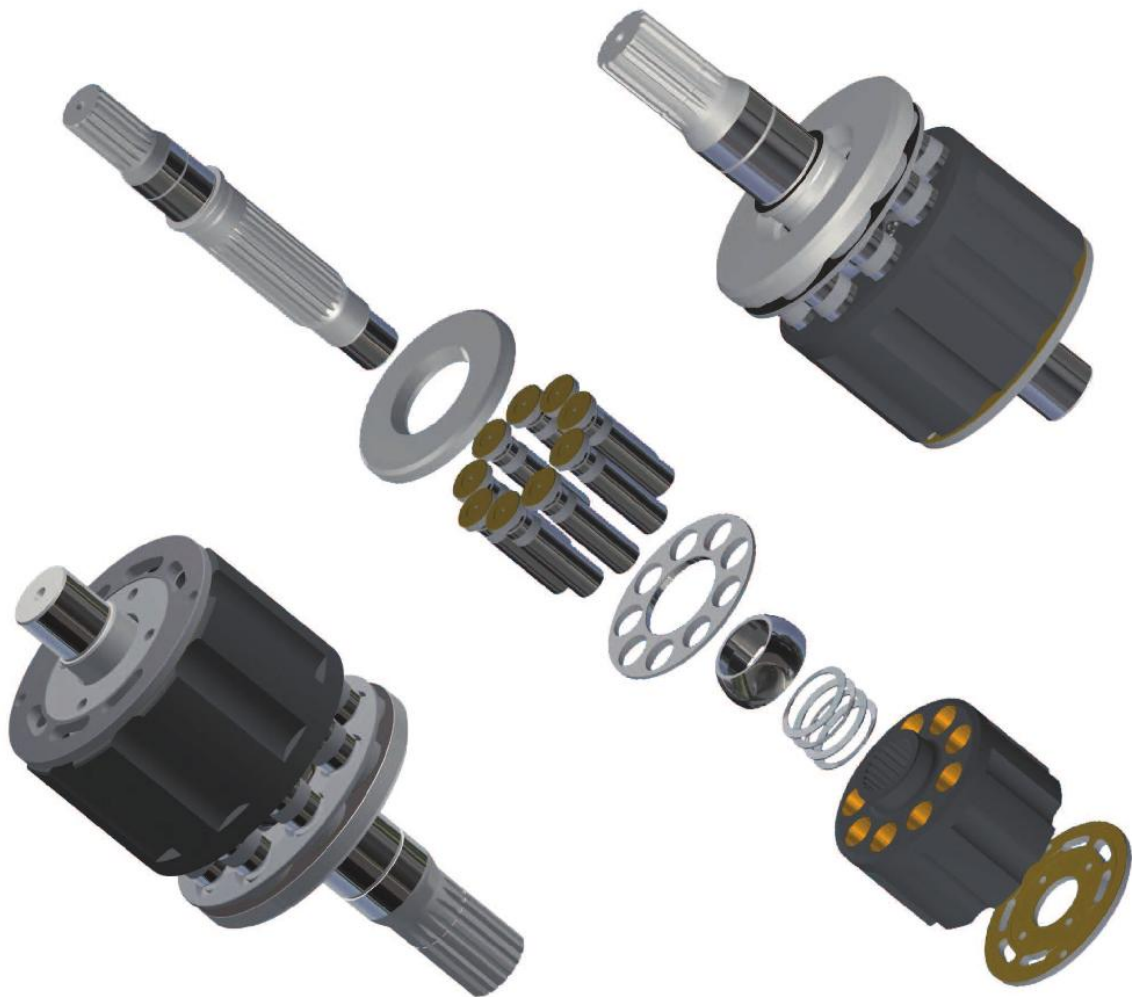
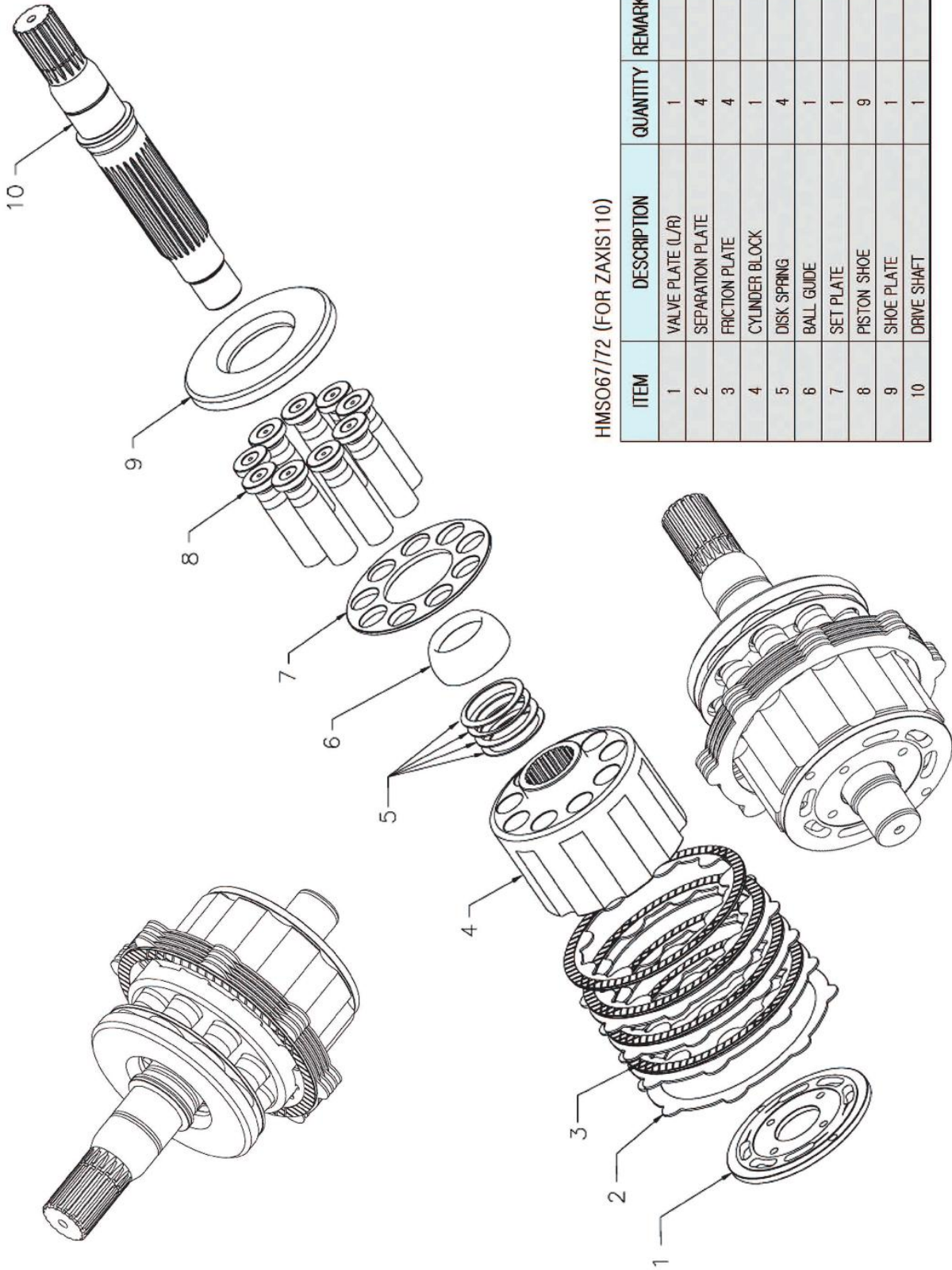




# HMSO67/72(FOR ZAXIS110)



# HMSO67/72(FOR ZAXIS110)



HMSO67/72 (FOR ZAXIS110)

ITEM	DESCRIPTION	QUANTITY	REMARK
1	VALVE PLATE (L/R)	1	
2	SEPARATION PLATE	4	
3	FRICTION PLATE	4	
4	CYLINDER BLOCK	1	
5	DISK SPRING	4	
6	BALL GUIDE	1	
7	SET PLATE	1	
8	PISTON SHOE	9	
9	SHOE PLATE	1	
10	DRIVE SHAFT	1	

HANDOK HYDRAULIC