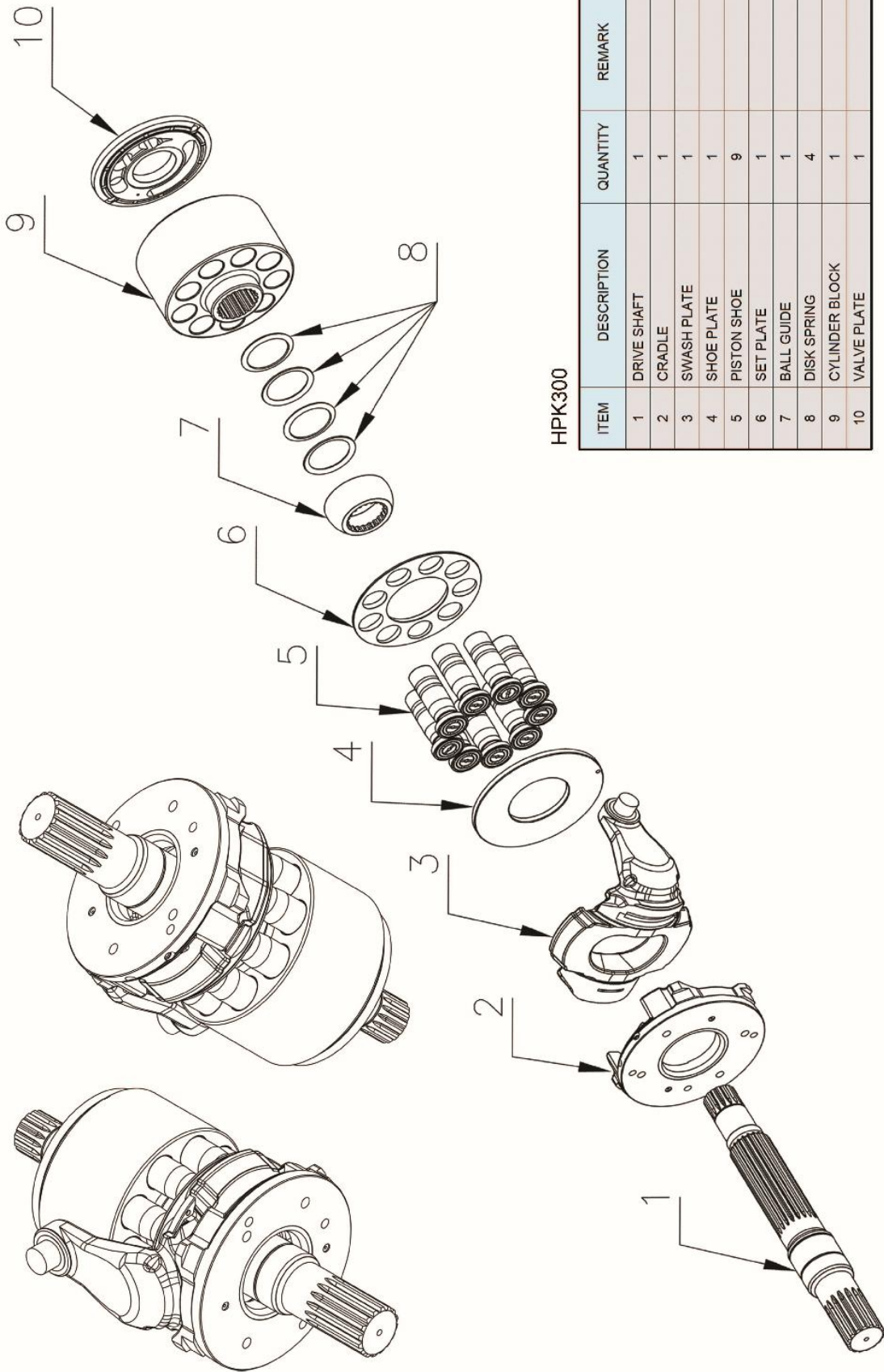




# HPK300



# HPK300



HPK300

ITEM	DESCRIPTION	QUANTITY	REMARK
1	DRIVE SHAFT	1	
2	CRADLE	1	
3	SWASH PLATE	1	
4	SHOE PLATE	1	
5	PISTON SHOE	9	
6	SET PLATE	1	
7	BALL GUIDE	1	
8	DISK SPRING	4	
9	CYLINDER BLOCK	1	
10	VALVE PLATE	1	