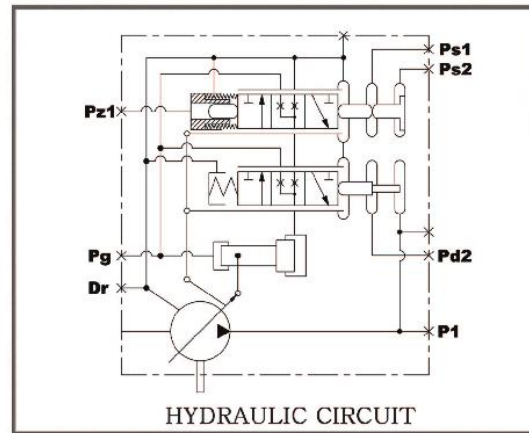


HPV116/145 FOR HITACHI / JOHN DEERE BENT AXIS TYPE AXIAL PISTON PUMPS



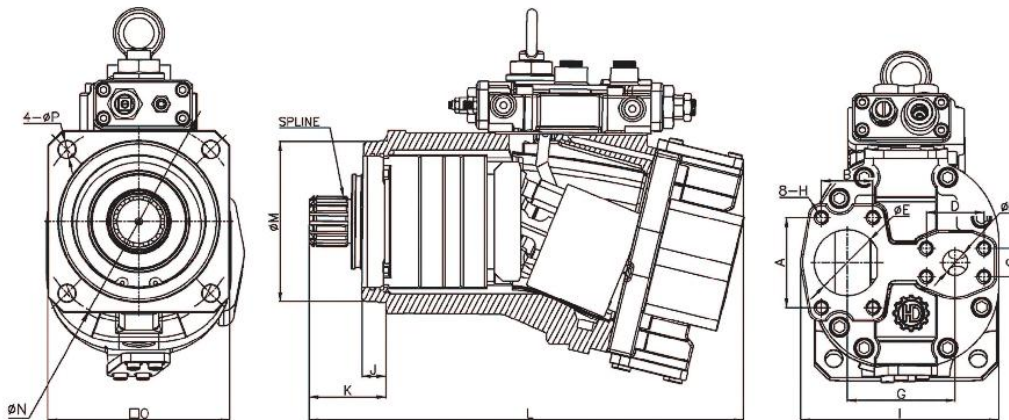
SPECIFICATION

MODEL	HPV116	HPV145
Discharge Rate (cc/rev)	116	145
Max. Pressure (kg/cm ²)	350	
Max. Speed (rpm)	2000	

※ USABLE CIRCUMSTANCE
50°C, ISO VG46, -20~90°C

Dimensions of Shaft End(Spline Type)

MODEL	No. of teeth	Pitch circle dia(mm)	Module	Pressure angle	Standard
HPV116	15	47.6	DP8/16	30 °	ANSI B92.1b :1970
HPV145					



Flange Mounting face for Suction & Delivery port

(mm)

MODEL	A	B	C	D	E	F	G	H
HPV116	89	51	28	57	65	25	107	M12X1.75P Dp30
HPV145					64	26	114.5	M12X1.75P Dp25

DIMENSIONS

(mm)

MODEL	I	J	K	L	M	N	O	P
HPV116	197.7	24	73.6	432	160	∅200.8	180	17
HPV145	208	21	75.5	458.5	184	∅220.6	200	