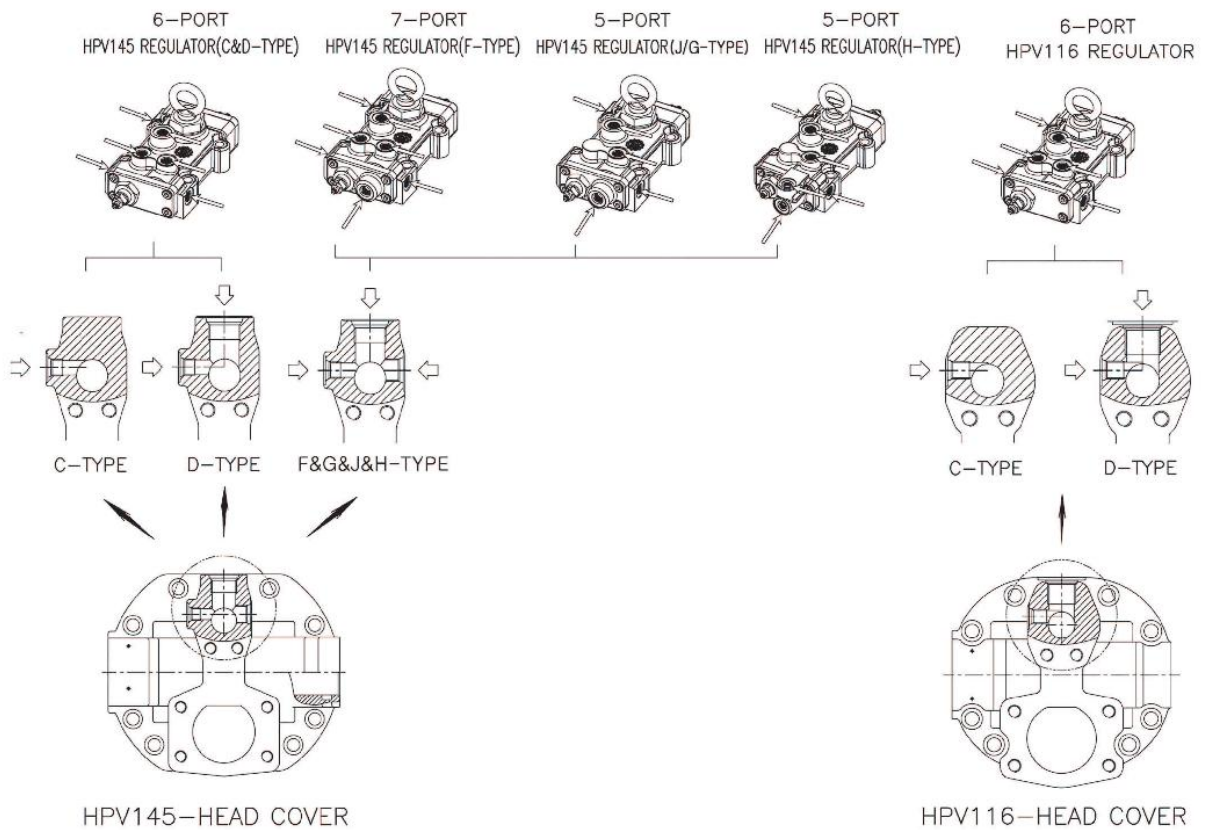




HPV116 / 145



HPV116/145 HEAD COVER & REGULATOR TYPE



HPV116/145

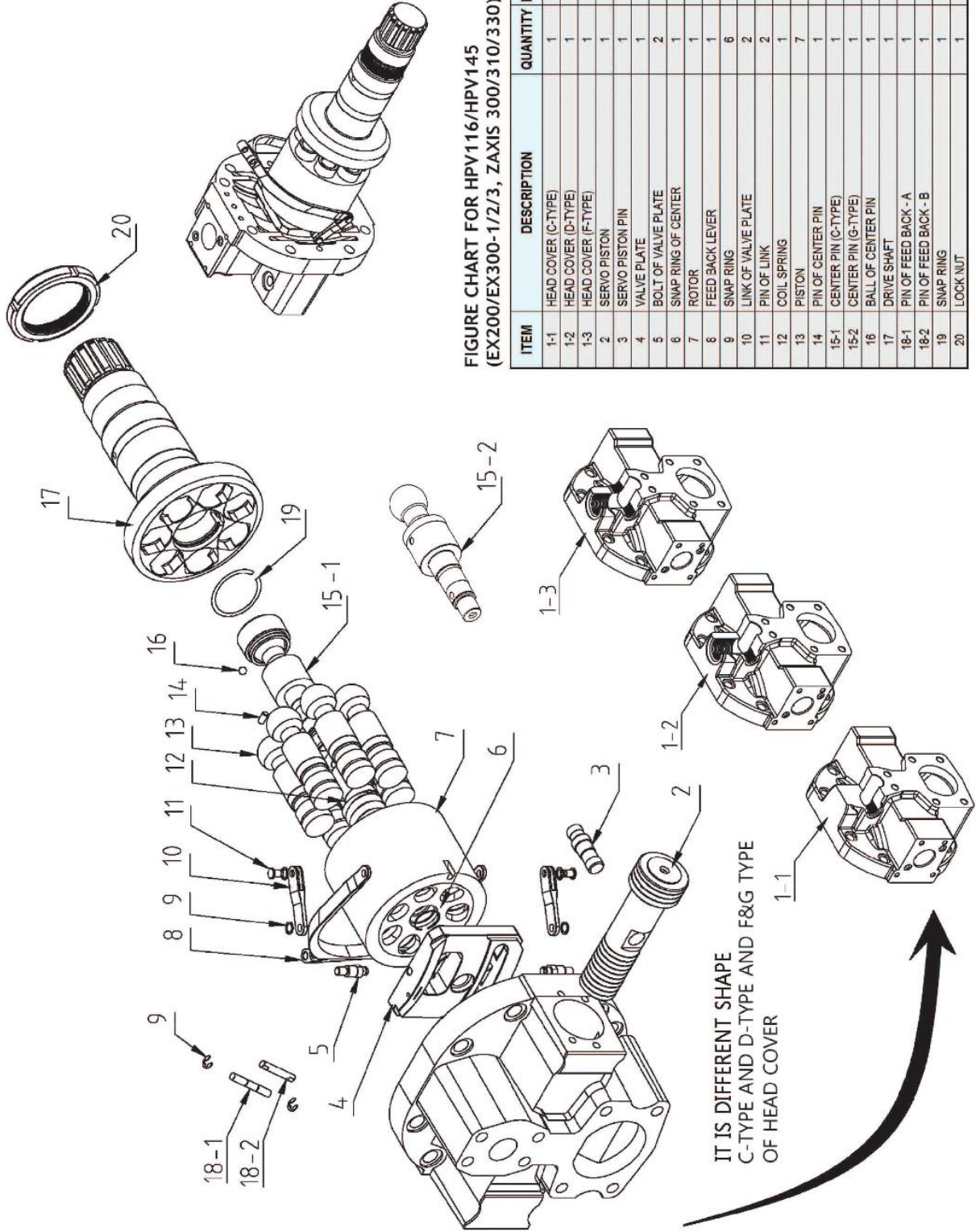


FIGURE CHART FOR HPV116/HPV145
(EX200/EX300-1/2/3, ZAXIS 300/310/330)

ITEM	DESCRIPTION	QUANTITY	REMARK
1-1	HEAD COVER (C-TYPE)	1	
1-2	HEAD COVER (D-TYPE)	1	
1-3	HEAD COVER (F-TYPE)	1	
2	SERVO PISTON	1	
3	SERVO PISTON PIN	1	
4	VALVE PLATE	1	
5	BOLT OF VALVE PLATE	2	
6	SNAP RING OF CENTER	1	
7	ROTOR	1	
8	FEED BACK LEVER	1	
9	SNAP RING	6	
10	LINK OF VALVE PLATE	2	
11	PIN OF LINK	2	
12	COIL SPRING	1	
13	PISTON	7	
14	PIN OF CENTER PIN	1	
15-1	CENTER PIN (C-TYPE)	1	C-TYPE
15-2	CENTER PIN (G-TYPE)	1	G-TYPE
16	BALL OF CENTER PIN	1	
17	DRIVE SHAFT	1	
18-1	PIN OF FEED BACK - A	1	
18-2	PIN OF FEED BACK - B	1	
19	SNAP RING	1	
20	LOCK NUT	1	

IT IS DIFFERENT SHAPE
C-TYPE AND D-TYPE AND F&G TYPE
OF HEAD COVER