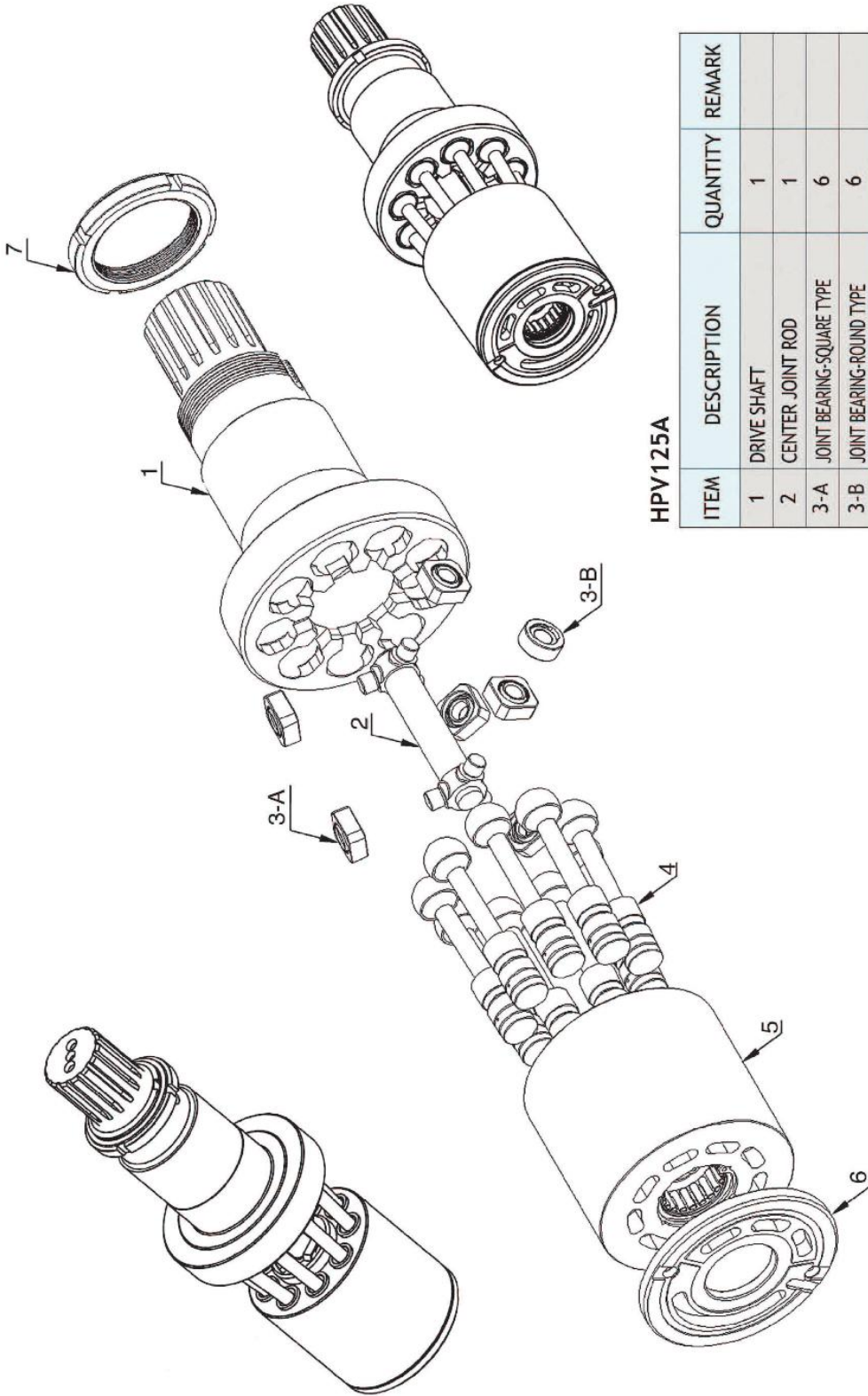


HPV125A



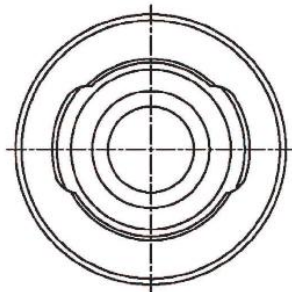
HPV125A

ITEM	DESCRIPTION	QUANTITY	REMARK
1	DRIVE SHAFT	1	
2	CENTER JOINT ROD	1	
3-A	JOINT BEARING-SQUARE TYPE	6	
3-B	JOINT BEARING-ROUND TYPE	6	
4	PISTON	9	
5	ROTOR	1	
6	VALVE PLATE	1	
7	LOCK NUT	1	

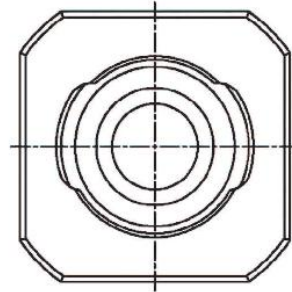
HAN DOK HYDRAULIC



HPV125A



ROUND TYPE



SQUARE TYPE

IT IS DIFFERENT SHAPE BETWEEN
ROUND TYPE AND SQUARE TYPE OF JOINT BEARING