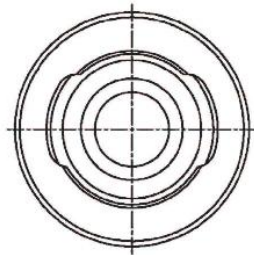
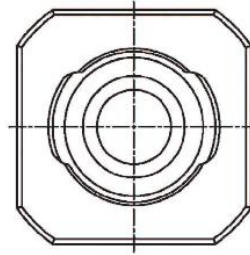




# HPV125B&HMT125AC

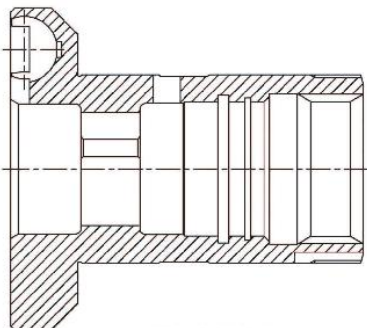


ROUND TYPE

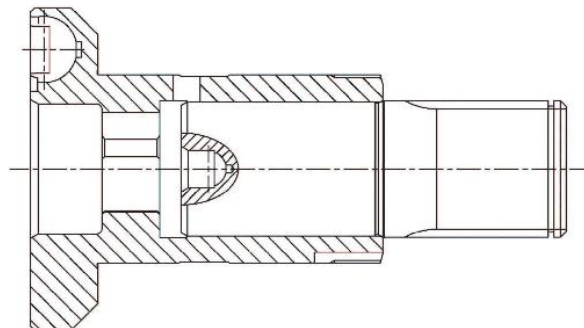


SQUARE TYPE

IT IS DIFFERENT SHAPE BETWEEN  
ROUND TYPE AND SQUARE TYPE OF JOINT BEARING



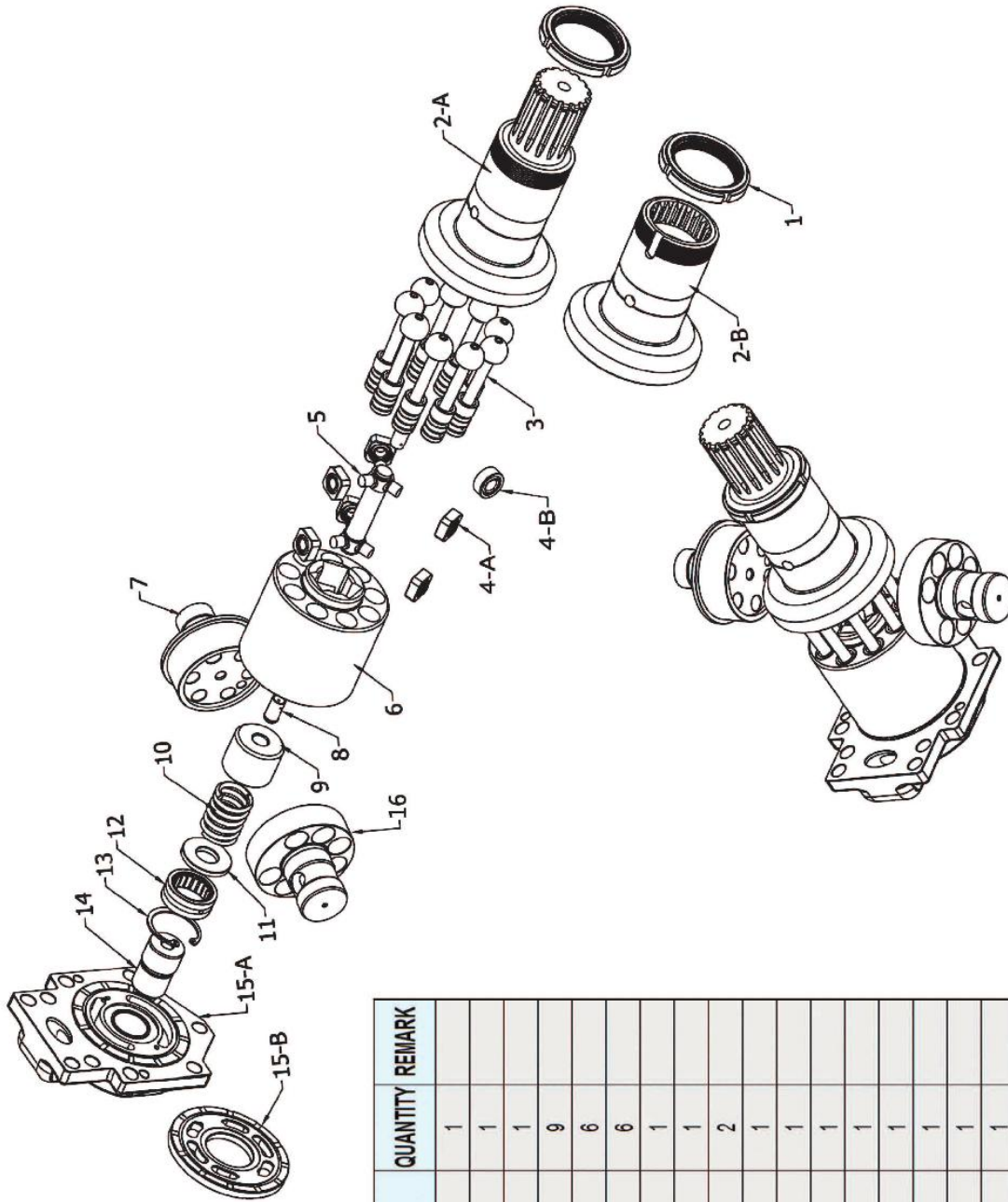
HMT125AC



HPV125B

IT IS DIFFERENT SHAPE BETWEEN HMT125AC AND HPV125B OF DRIVE SHAFT

# HPV125B&HMT125AC



HPV125B/HMT125AC

ITEM	DESCRIPTION	QUANTITY	REMARK
1	LOCK NUT	1	
2-A	DRIVE SHAFT (HPV125B)	1	
2-B	DRIVE SHAFT(HMT125AC)	1	
3	PISTON	9	
4-A	JOINT BEARING - SQUARE TYPE	6	
4-B	JOINT BEARING - ROUND TYPE	6	
5	CENTER JOINT ROD	1	
6	ROTOR	1	
7	AXLE SHAFT	2	
8	JOINT STOPPER	1	
9	HOLDER	1	
10	COIL SPRING OF ROTOR	1	
11	WASHER	1	
12	NEEDLE BEARING	1	
13	SNAP RING	1	
14	CENTER SHAFT	1	
15-A	HEAD VALVE	1	
15-B	VALVE PLATE	1	
16	ROTARY JOINT	1	

HAN DOK HYDRAULIC