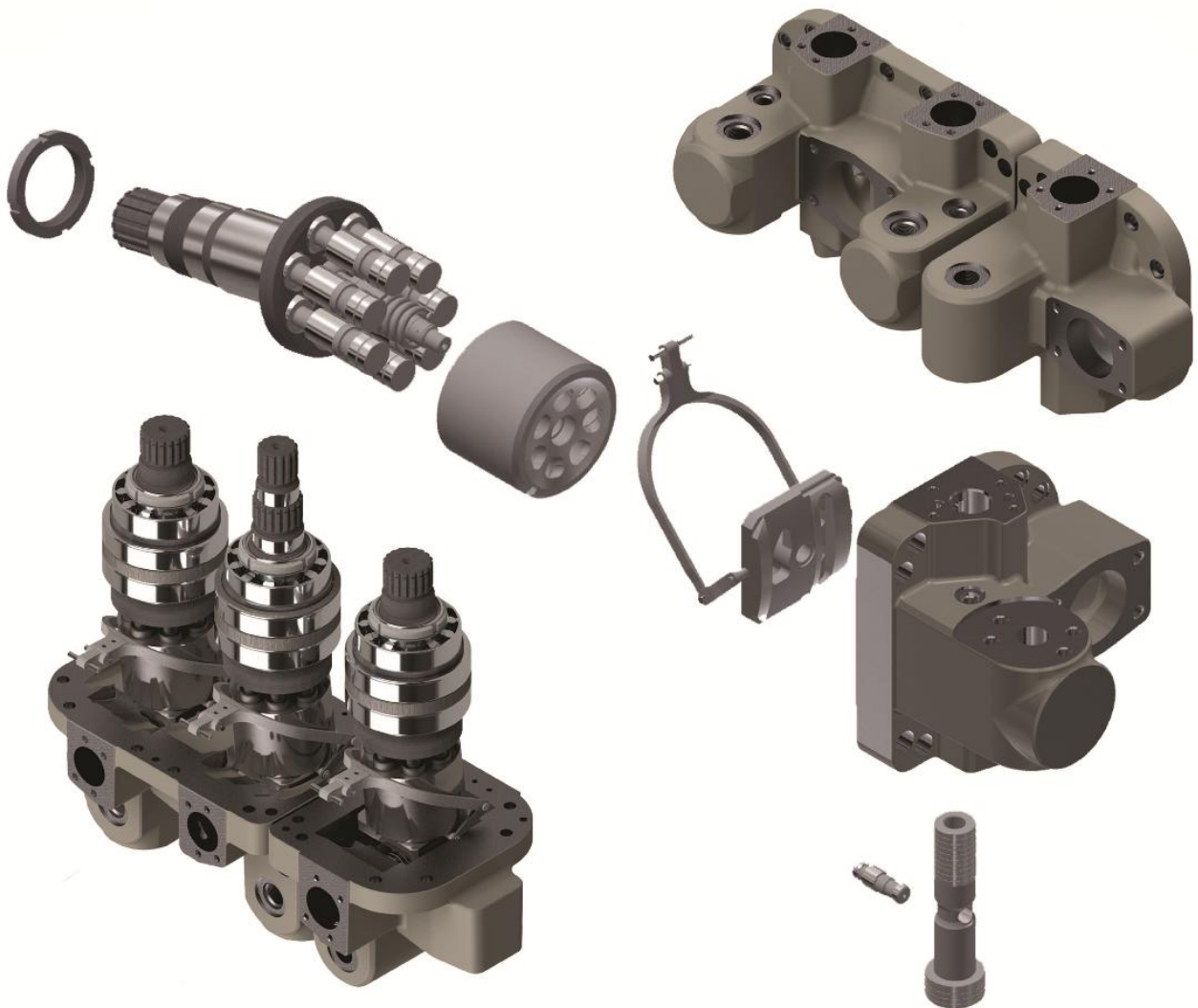
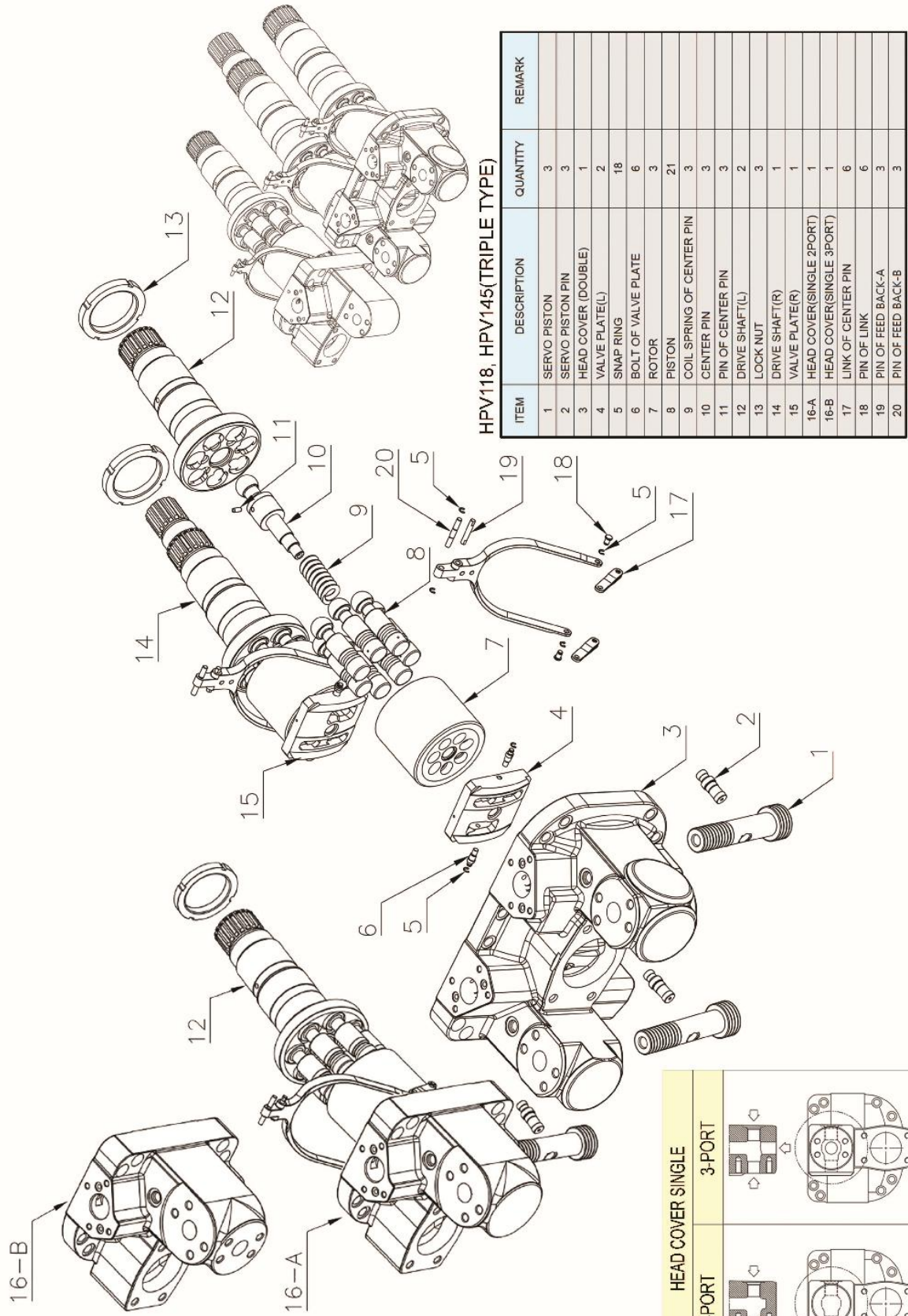




HPVO118T, HPVO145T (TRIPLE TYPE)



HPV118, HPV145 (TRIPLE TYPE)



HPV118, HPV145 (TRIPLE TYPE)

ITEM	DESCRIPTION	QUANTITY	REMARK
1	SERVO PISTON	3	
2	SERVO PISTON PIN	3	
3	HEAD COVER (DOUBLE)	1	
4	VALVE PLATE(L)	2	
5	SNAP RING	18	
6	BOLT OF VALVE PLATE	6	
7	ROTOR	3	
8	PISTON	21	
9	COIL SPRING OF CENTER PIN	3	
10	CENTER PIN	3	
11	PIN OF CENTER PIN	3	
12	DRIVE SHAFT(L)	2	
13	LOCK NUT	3	
14	DRIVE SHAFT(R)	1	
15	VALVE PLATE(R)	1	
16-A	HEAD COVER(SINGLE 2PORT)	1	
16-B	HEAD COVER(SINGLE 3PORT)	1	
17	LINK OF CENTER PIN	6	
18	PIN OF LINK	6	
19	PIN OF FEED BACK-A	3	
20	PIN OF FEED BACK-B	3	

