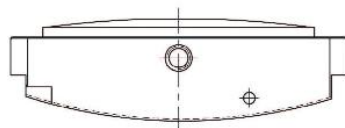
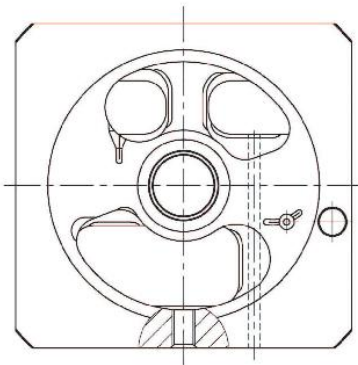




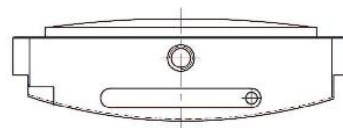
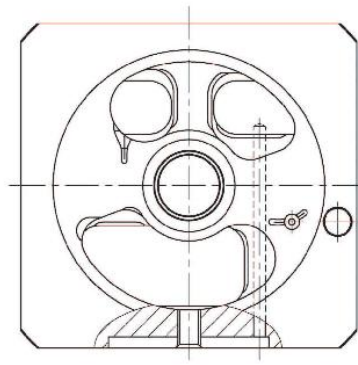
HPV091DS/ES



IT IS DIFFERENT SHAPE BETWEEN
HPV091ES TYPE AND HPV091DS TYPE OF VALVE PLATE

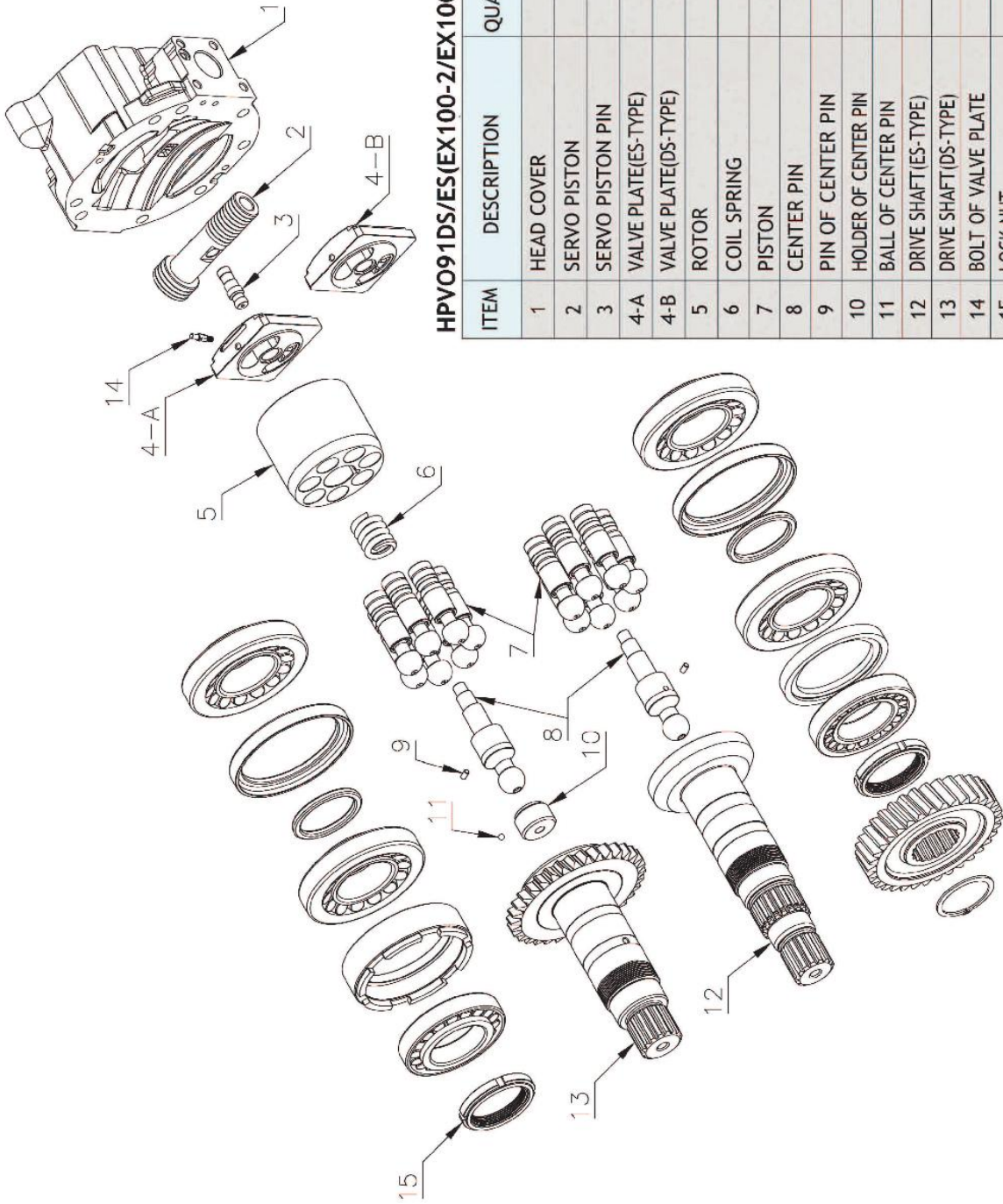


HPV091DS



HPV091ES

HPV091DS/ES



HPV091DS/ES(EX100-2/EX100-3/5)

ITEM	DESCRIPTION	QUANTITY	REMARK
1	HEAD COVER	1	
2	SERVO PISTON	1	
3	SERVO PISTON PIN	1	
4-A	VALVE PLATE(ES-TYPE)	1	
4-B	VALVE PLATE(DS-TYPE)	1	
5	ROTOR	1	
6	COIL SPRING	1	
7	PISTON	14	
8	CENTER PIN	2	
9	PIN OF CENTER PIN	2	
10	HOLDER OF CENTER PIN	1	DS-TYPE
11	BALL OF CENTER PIN	1	DS-TYPE
12	DRIVE SHAFT(ES-TYPE)	1	
13	DRIVE SHAFT(DS-TYPE)	1	
14	BOLT OF VALVE PLATE	1	
15	LOCK NUT	2	

HAN DOK HYDRAULIC