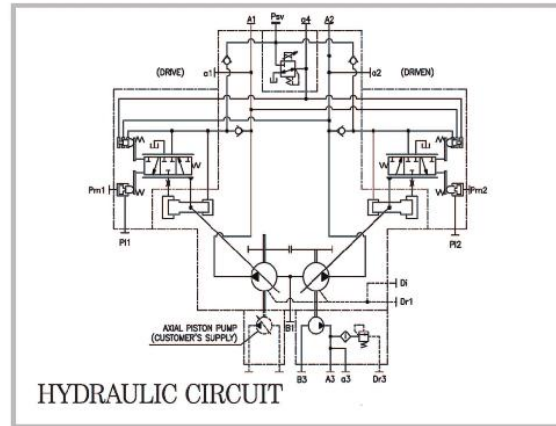
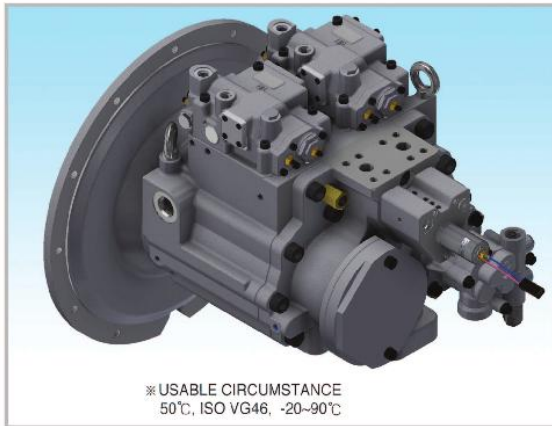


H3V112DP FOR SUMITOMO / CASE PARALLEL TYPE SWASH PLATE PISTON PUMP



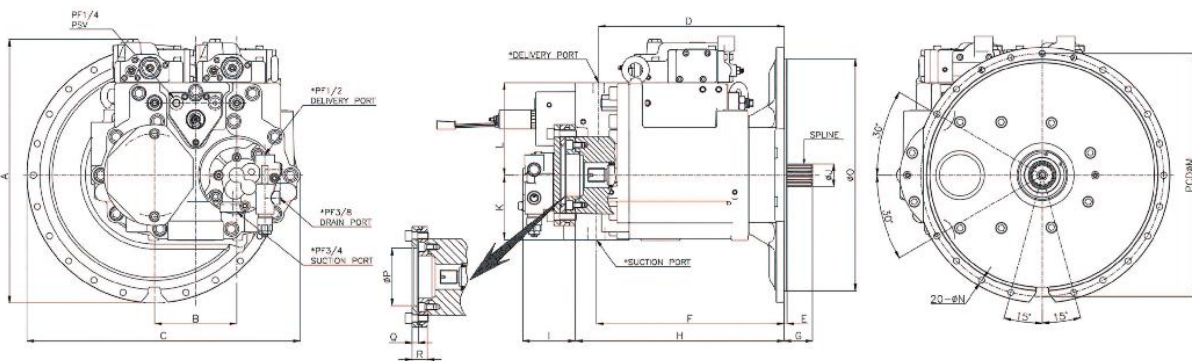
SPECIFICATIONS (FOR 9N00 / 9S09 TYPE)

MODEL	H3V112DP (FOR SUMITOMO / CASE)
Discharge Rate(cc/rev)	112
Max. Pressure (kg/cm ²)	350
Max. Speed (rpm)	2,000



Dimensions of Shaft End(Spline Type)

MODEL	No. of teeth	Pitch circle dia(mm)	Module	Pressure angle	Standard
H3V112DP (FOR SUMITOMO/ CASE)	14	35	2.5	20°	JIS B 1603: 1995



DIMENSIONS

(mm)

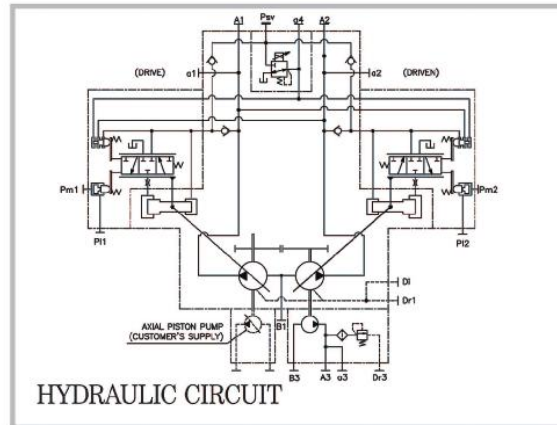
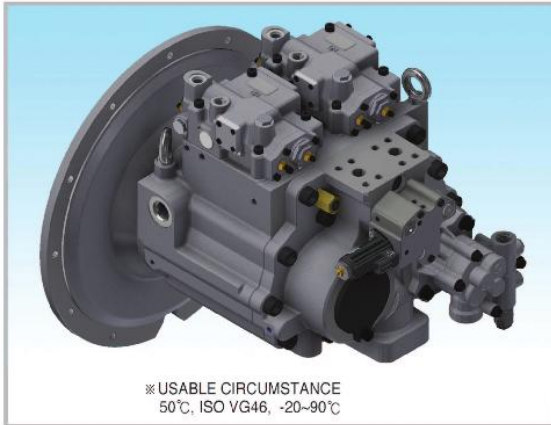
MODEL	A	B	C	D	E	F	G	H	I	J	K	L	M	N	O	P	Q	R
H3V112DP (FOR SUMITOMO/ CASE)	465	145	482.5	327.5	4.5	331.5	50	368.5	93	39.5	114	163	428.6	11	409.6	101.6	11	27

H3V112DP FOR SANY / HYUNDAI PARALLEL TYPE SWASH PLATE PISTON PUMP



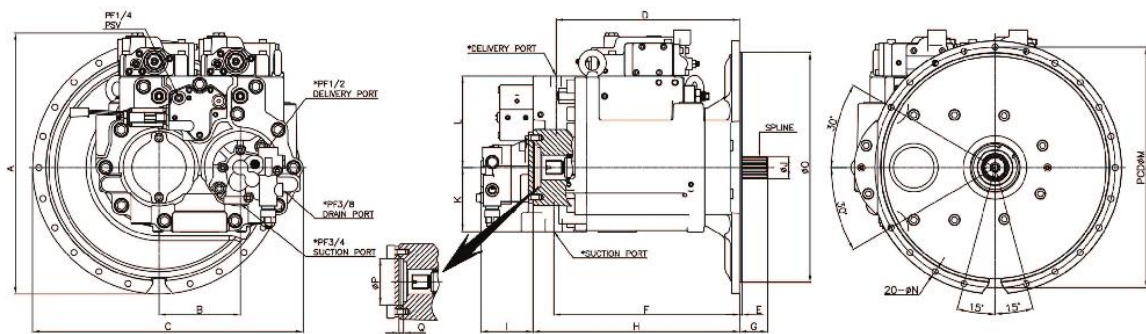
SPECIFICATIONS (FOR 9N00 / 9S09 TYPE)

MODEL	H3V112DP (FOR SANY/ HYUNDAI)
Discharge Rate(cc/rev)	112
Max. Pressure (kg/cm ²)	350
Max. Speed (rpm)	2,000



Dimensions of Shaft End (Spline Type)

MODEL	No. of teeth	Pitch circle dia(mm)	Module	Pressure angle	Standard
H3V112DP (FOR SANY/HYUNDAI)	14	35	2.5	20°	JIS B 1603: 1995



DIMENSIONS

(mm)

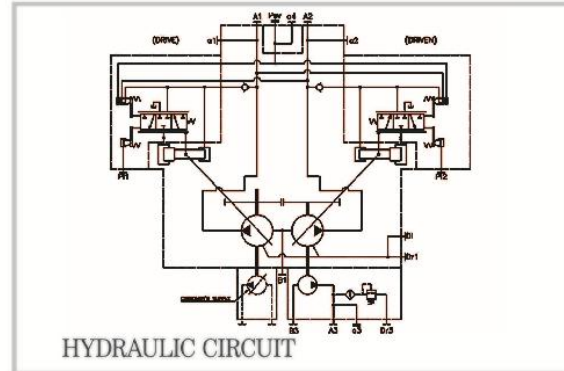
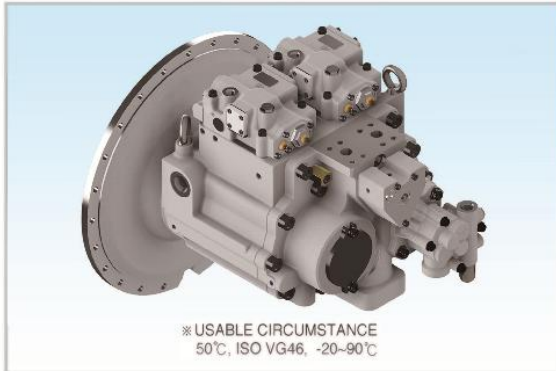
MODEL	A	B	C	D	E	F	G	H	I	J	K	L	M	N	O	P	Q
H3V112DP (FOR SANY /HYUNAI)	465	145	482.5	327.5	4.5	331.5	50	368.5	93	39.5	114	163	428.6	11	409.6	82.5	8

H3V112DP(FOR SANY CRANE SC500) WITHOUT EPR SWASH PLATE TYPE PISTON PUMP



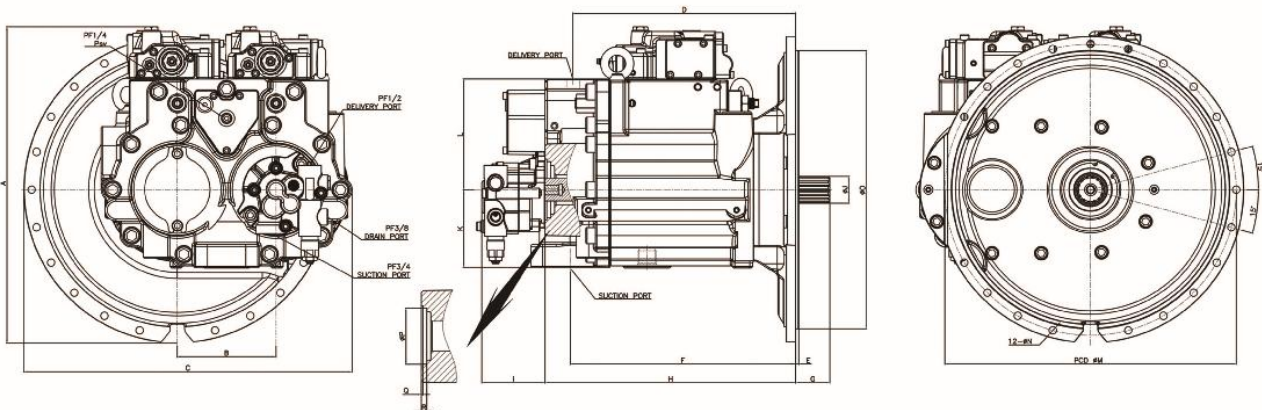
SPECIFICATIONS(FOR 9S00 TYPE)

MODEL	H3V112DP(FOR SANY CRANE SC500)
Discharge Rate(cc/rev)	112
Max. Pressure (kg/cm²)	350
Max. Speed (rpm)	2,000



Dimensions of Shaft End(Spline Type)

MODEL	No. of teeth	Pitch circle dia(mm)	Module	Pressure angle	Standard
H3V112DP (FOR SANY CRANE) SC500	14	35	2.5	20°	JIS B 1603 :1995



DIMENSIONS

(mm)

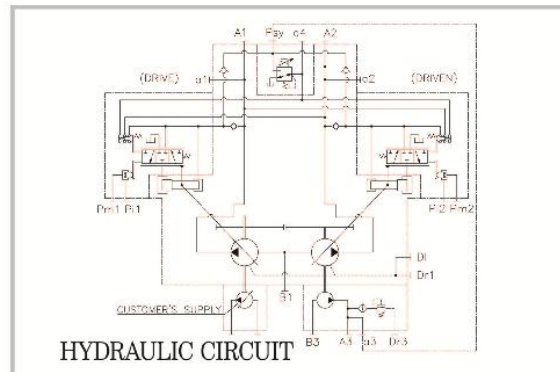
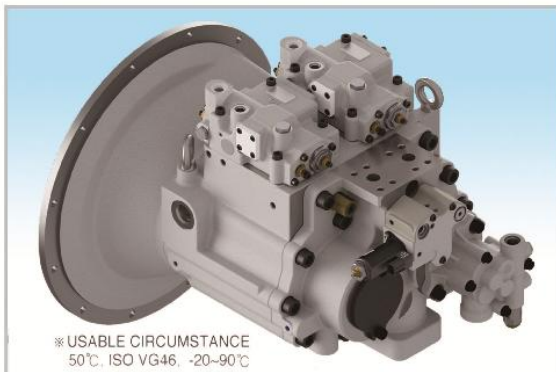
MODEL	A	B	C	D	E	F	G	H	I	J	K	L	M	N	O	P	Q	R
H3V112DP (FOR SANY CRANE) SC500	465.5	145	483	387	4.5	391	50	368.5	93	39.5	114	163	428.6	11	409.5	82.55	2.4	8

H3V112DP FOR KOBELCO / NEW HOLLAND WITH EPR PARALLEL TYPE SWASH PLATE PISTON PUMP



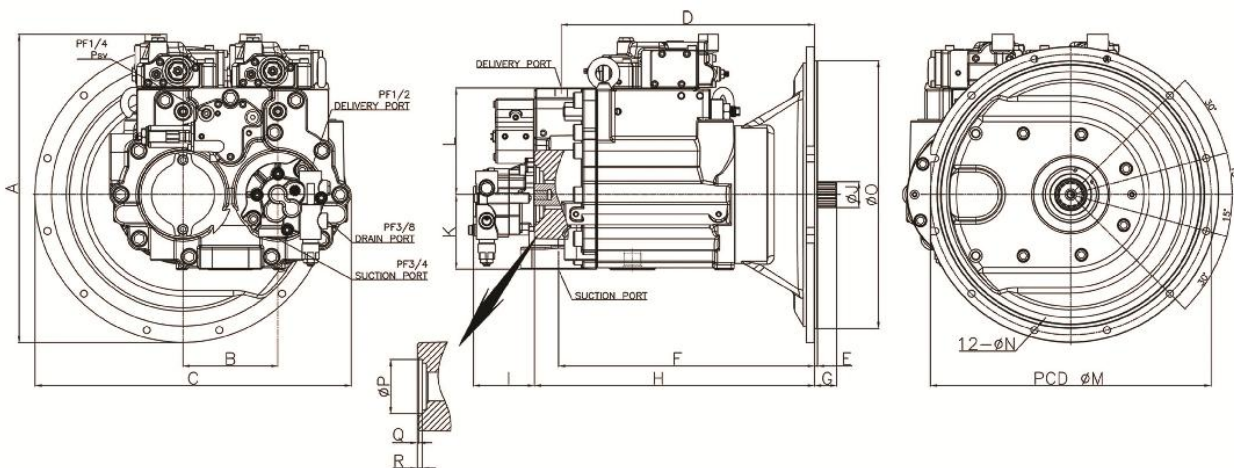
SPECIFICATIONS (FOR 9S00 TYPE)

MODEL	H3V112DP(KOBELCO / NEW HOLLAND)
Discharge Rate(cc/rev)	112
Max. Pressure (kg/cm ²)	350
Max. Speed (rpm)	2,000



Dimensions of Shaft End(Spline Type)

MODEL	No. of teeth	Pitch circle dia(mm)	Module	Pressure angle	Standard
H3V112DP (KOBELCO / NEW HOLLAND)	14	35	2.5	20°	JIS B 1603 :1995



DIMENSIONS

(mm)

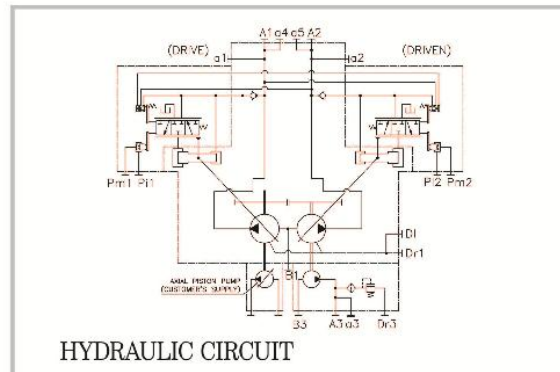
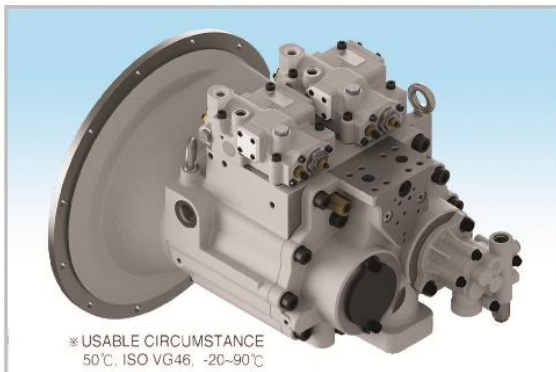
MODEL	A	B	C	D	E	F	G	H	I	J	K	L	M	N	O	P	Q	R
H3V112DP (KOBELCO / NEW HOLLAND)	471	145	483	387	4.5	391	34	428	93	39.5	114	163	428.6	11	409.5	82.6	2.4	8

H3V112DP FOR KOBELCO / NEW HOLLAND WITHOUT EPR PARALLEL TYPE SWASH PLATE PISTON PUMP



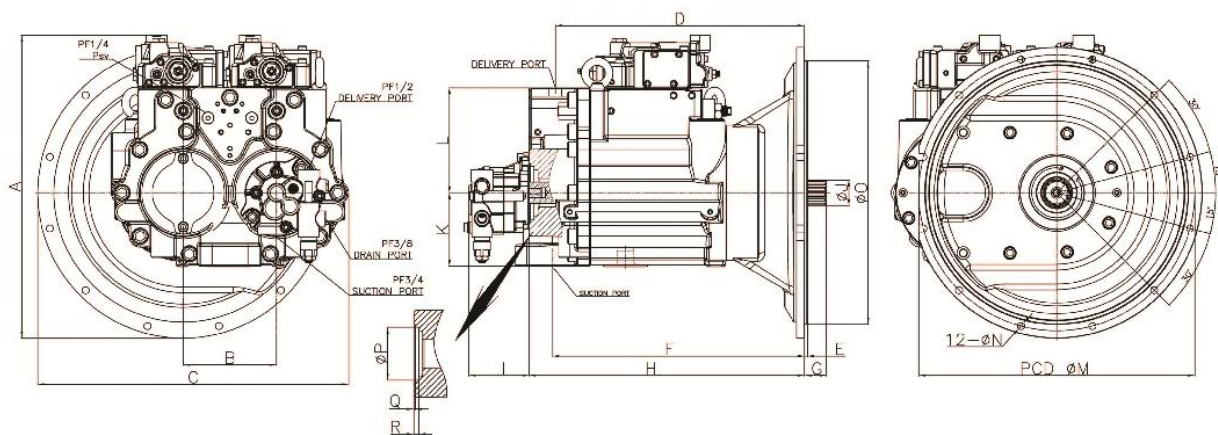
SPECIFICATIONS (FOR 9S00 TYPE)

MODEL	H3V112DP(KOBELCO / NEW HOLLAND)
Discharge Rate(cc/rev)	112
Max. Pressure (kg/cm ²)	350
Max. Speed (rpm)	2,000



Dimensions of Shaft End(Spline Type)

MODEL	No. of teeth	Pitch circle dia(mm)	Module	Pressure angle	Standard
H3V112DP (KOBELCO / NEW HOLLAND)	14	35	2.5	20°	JIS B 1603 :1995



DIMENSIONS

(mm)

MODEL	A	B	C	D	E	F	G	H	I	J	K	L	M	N	O	P	Q	R
H3V112DP (KOBELCO / NEW HOLLAND)	471	145	483	387	4.5	391	34	428	93	39.5	114	163	428.6	11	409.5	82.6	2.4	8