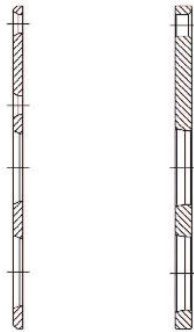




# KMF, KPV SERIES

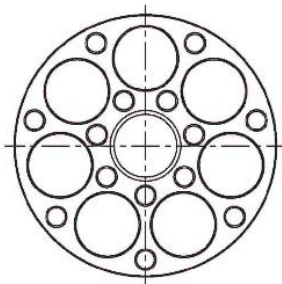


## RETAINER PLATE

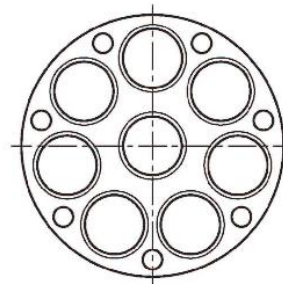


TAPER TYPE

FILLET TYPE



14-BOLT TYPE

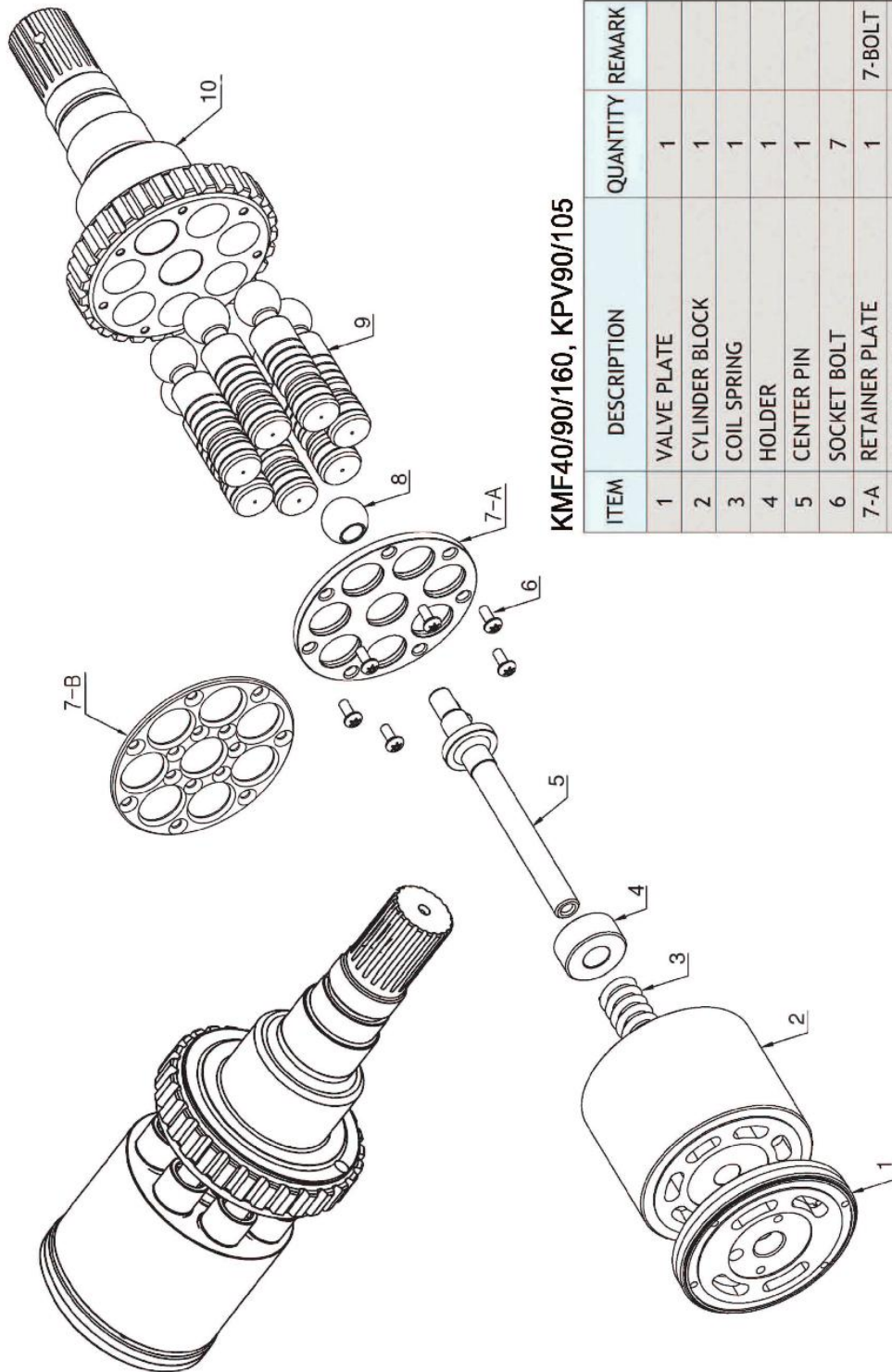


7-BOLT TYPE



IT IS DIFFERENT SHAPE BETWEEN 7-BOLT TYPE AND 14-BOLT TYPE

# KMF, KPV SERIES



**KMF40/90/160, KPV90/105**

ITEM	DESCRIPTION	QUANTITY	REMARK
1	VALVE PLATE	1	
2	CYLINDER BLOCK	1	
3	COIL SPRING	1	
4	HOLDER	1	
5	CENTER PIN	1	
6	SOCKET BOLT	7	
7-A	RETAINER PLATE	1	7-BOLT
7-B	RETAINER PLATE	1	14-BOLT
8	CENTER BALL	1	
9	PISTON	7	
10	DRIVE SHAFT	1	

HAN DOK HYDRAULIC