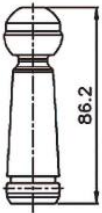
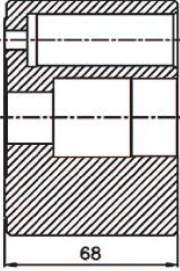
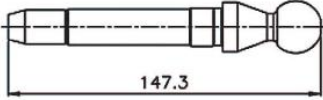
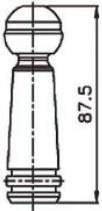
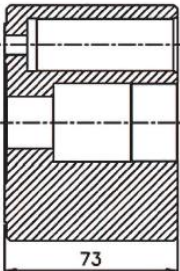
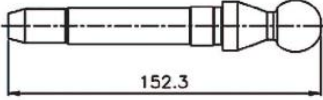




KMF125/230 FOR KOMATSU



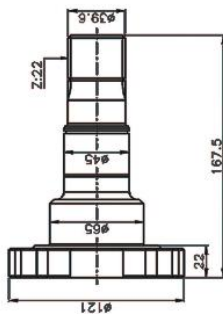
KMF125			
ONE RING TYPE			
TWO RING TYPE			

IT IS DIFFERENT SHAPE BETWEEN ONE RING TYPE AND TWO RING TYPE OF PISTON

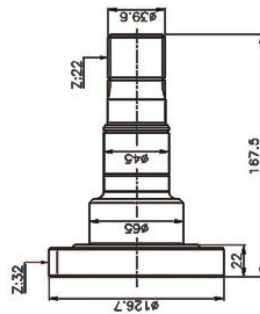
KMF125/230 FOR KOMATSU



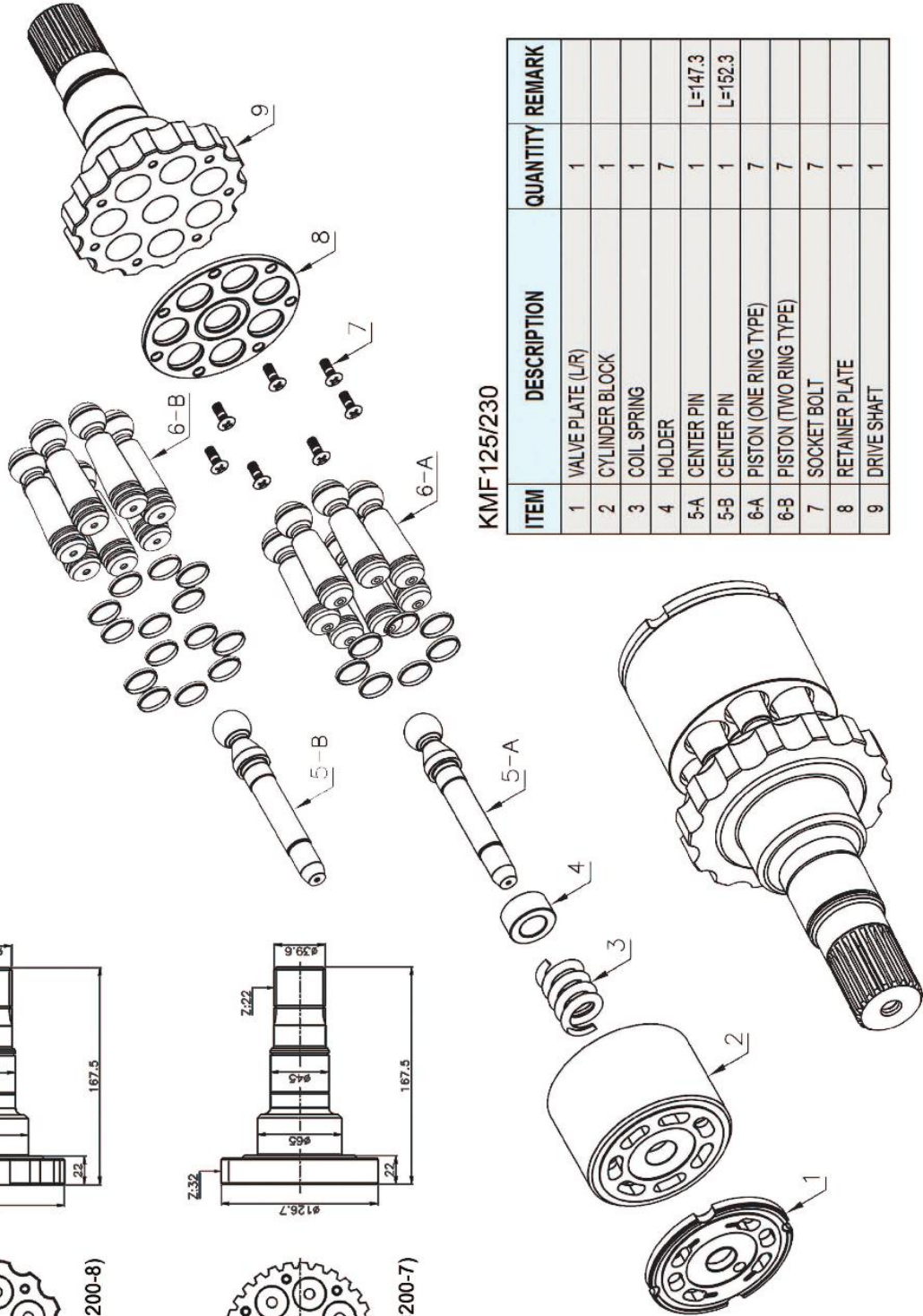
IT IS DIFFERENT SHAPE BETWEEN KMF125 DRIVE SHAFT



KMF125(PC200-8)



KMF125(PC200-7)



KMF125/230

ITEM	DESCRIPTION	QUANTITY	REMARK
1	VALVE PLATE (L/R)	1	
2	CYLINDER BLOCK	1	
3	COIL SPRING	1	
4	HOLDER	7	
5-A	CENTER PIN	1	L=147.3
5-B	CENTER PIN	1	L=152.3
6-A	PISTON (ONE RING TYPE)	7	
6-B	PISTON (TWO RING TYPE)	7	
7	SOCKET BOLT	7	
8	RETAINER PLATE	1	
9	DRIVE SHAFT	1	

HAN DOK HYDRAULIC