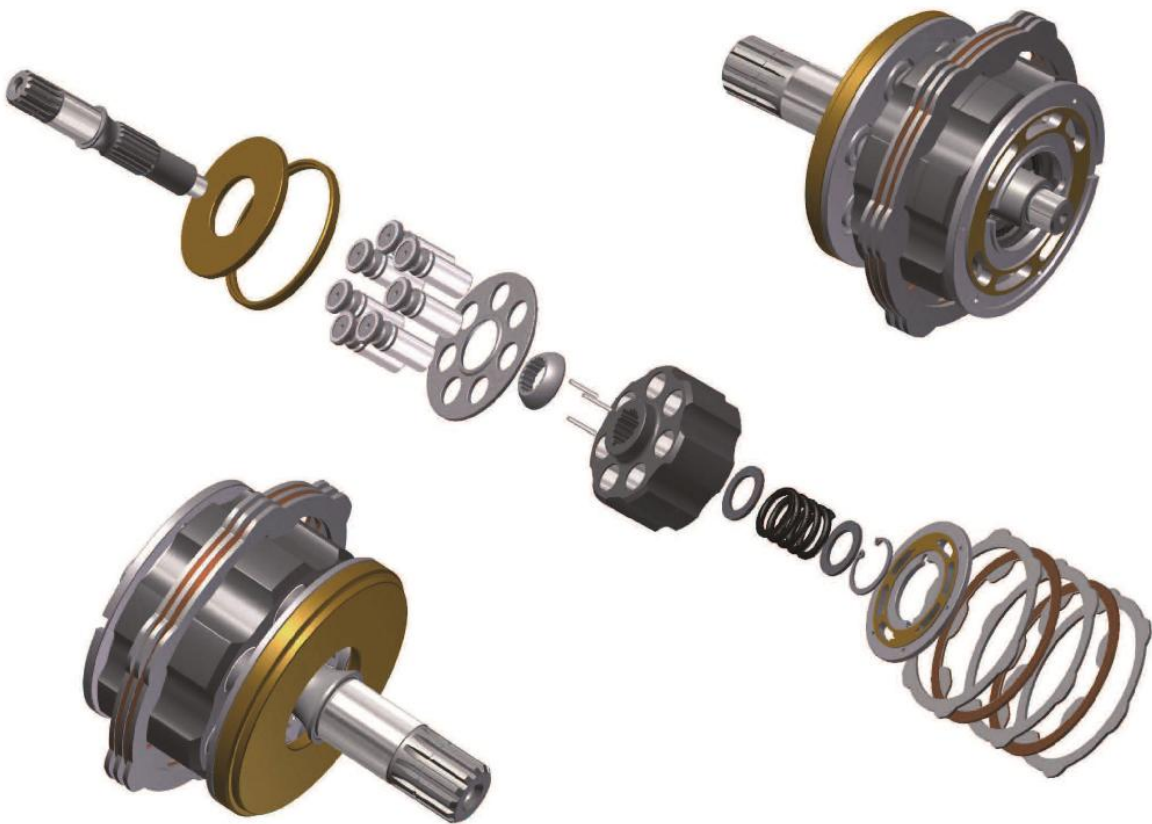
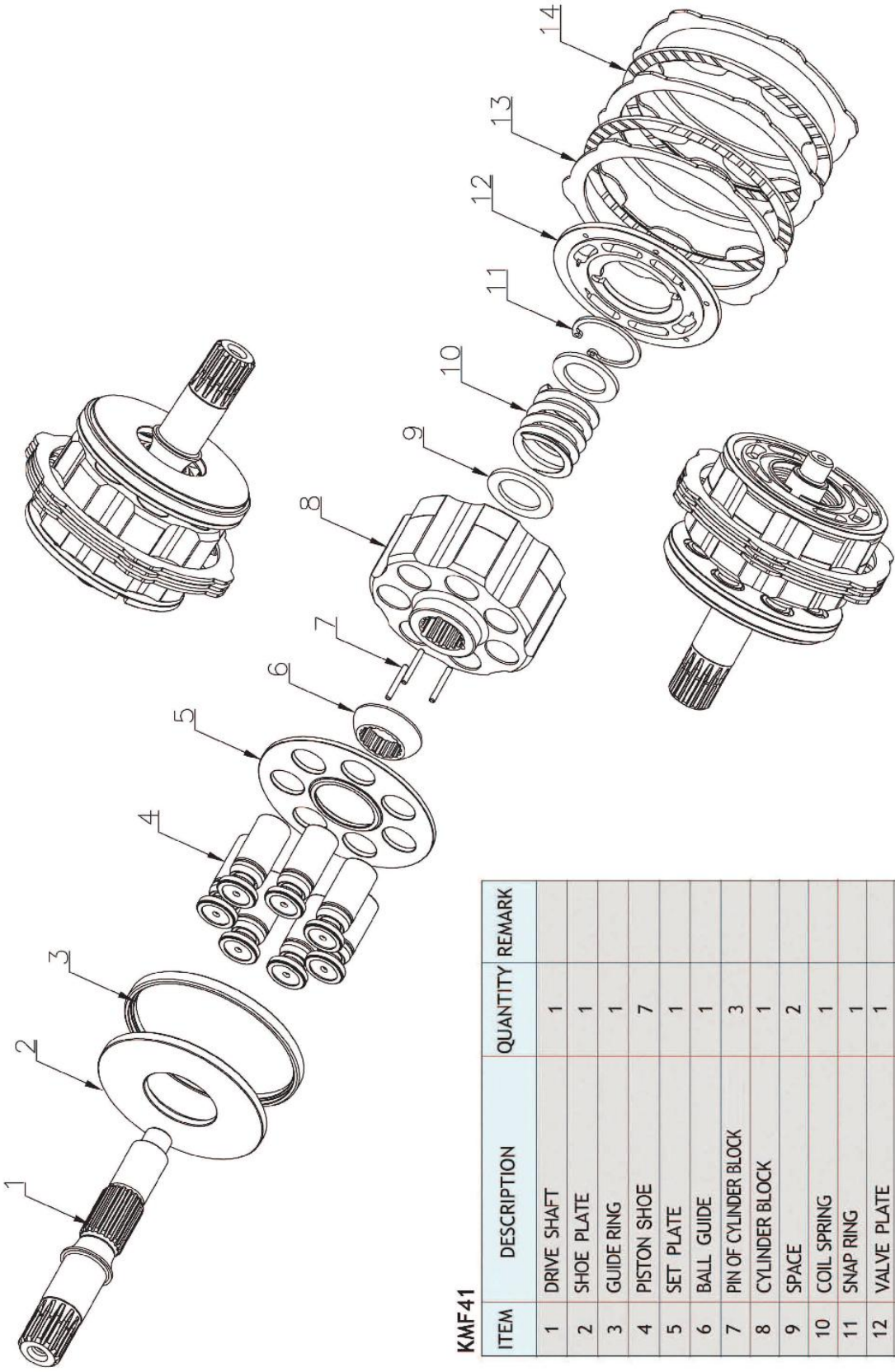




KMF41





KMF41

ITEM	DESCRIPTION	QUANTITY	REMARK
1	DRIVE SHAFT	1	
2	SHOE PLATE	1	
3	GUIDE RING	1	
4	PISTON SHOE	7	
5	SET PLATE	1	
6	BALL GUIDE	1	
7	PIN OF CYLINDER BLOCK	3	
8	CYLINDER BLOCK	1	
9	SPACE	2	
10	COIL SPRING	1	
11	SNAP RING	1	
12	VALVE PLATE	1	
13	SEPARATION PLATE	3	
14	FRICION PLATE	2	