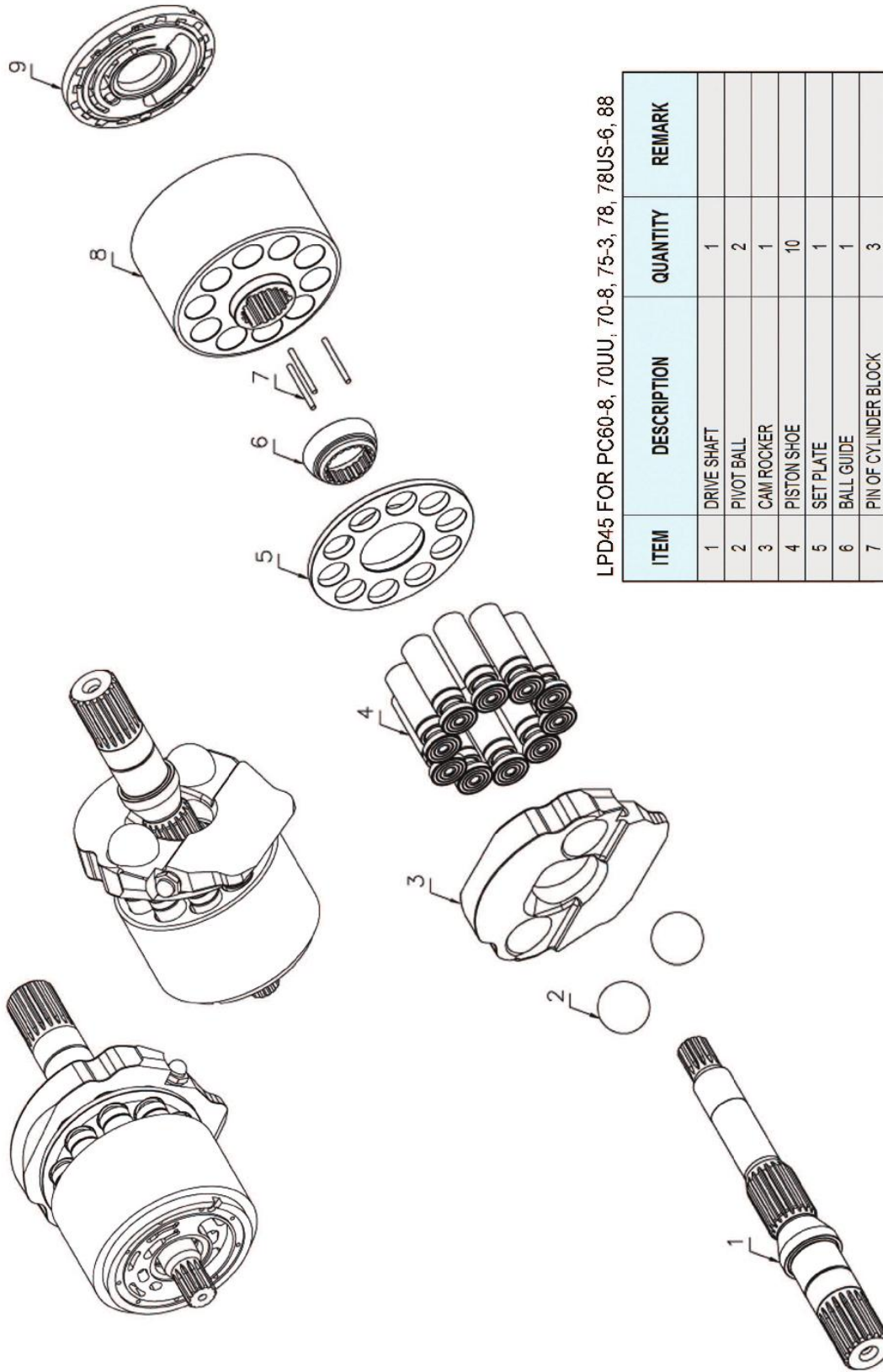




LPD45(PC78) FOR KOMATSU



LPD45(PC78) FOR KOMATSU



LPD45 FOR PC60-8, 70UU, 70-8, 75-3, 78, 78US-6, 88

ITEM	DESCRIPTION	QUANTITY	REMARK
1	DRIVE SHAFT	1	
2	PIVOT BALL	2	
3	CAM ROCKER	1	
4	PISTON SHOE	10	
5	SET PLATE	1	
6	BALL GUIDE	1	
7	PIN OF CYLINDER BLOCK	3	
8	CYLINDER BLOCK	1	
9	VALVE PLATE	1	

HAN DOK HYDRAULIC