



LPV28/30/45 FOR KOMATSU



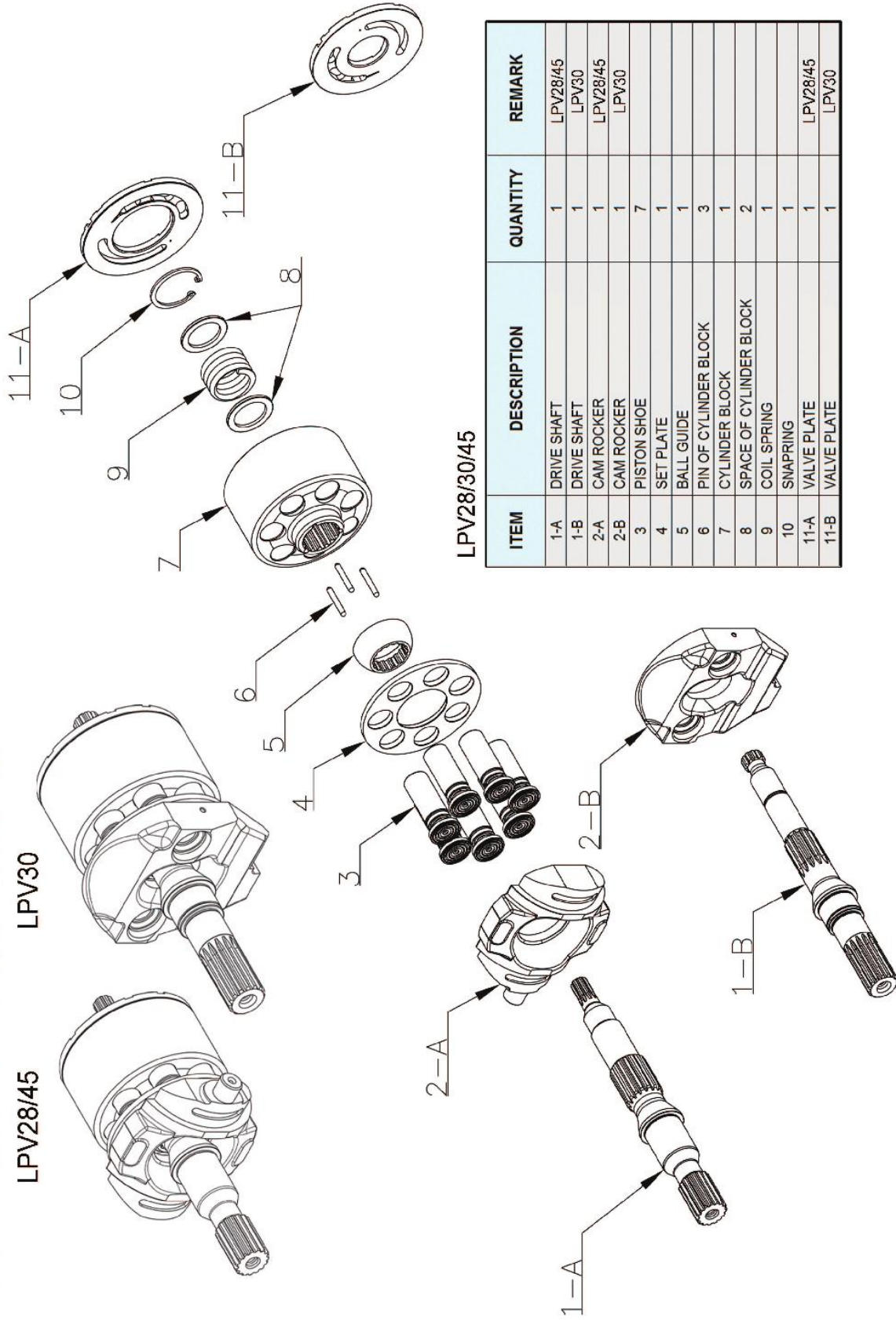
LPV28/30/45 FOR KOMATSU



IT IS DIFFERENT SHAPE BETWEEN LPV28/45 AND LPV30

LPV30

LPV28/45



LPV28/30/45

ITEM	DESCRIPTION	QUANTITY	REMARK
1-A	DRIVE SHAFT	1	LPV28/45
1-B	DRIVE SHAFT	1	LPV30
2-A	CAM ROCKER	1	LPV28/45
2-B	CAM ROCKER	1	LPV30
3	PISTON SHOE	7	
4	SET PLATE	1	
5	BALL GUIDE	1	
6	PIN OF CYLINDER BLOCK	3	
7	CYLINDER BLOCK	1	
8	SPACE OF CYLINDER BLOCK	2	
9	COIL SPRING	1	
10	SNAPRING	1	
11-A	VALVE PLATE	1	LPV28/45
11-B	VALVE PLATE	1	LPV30