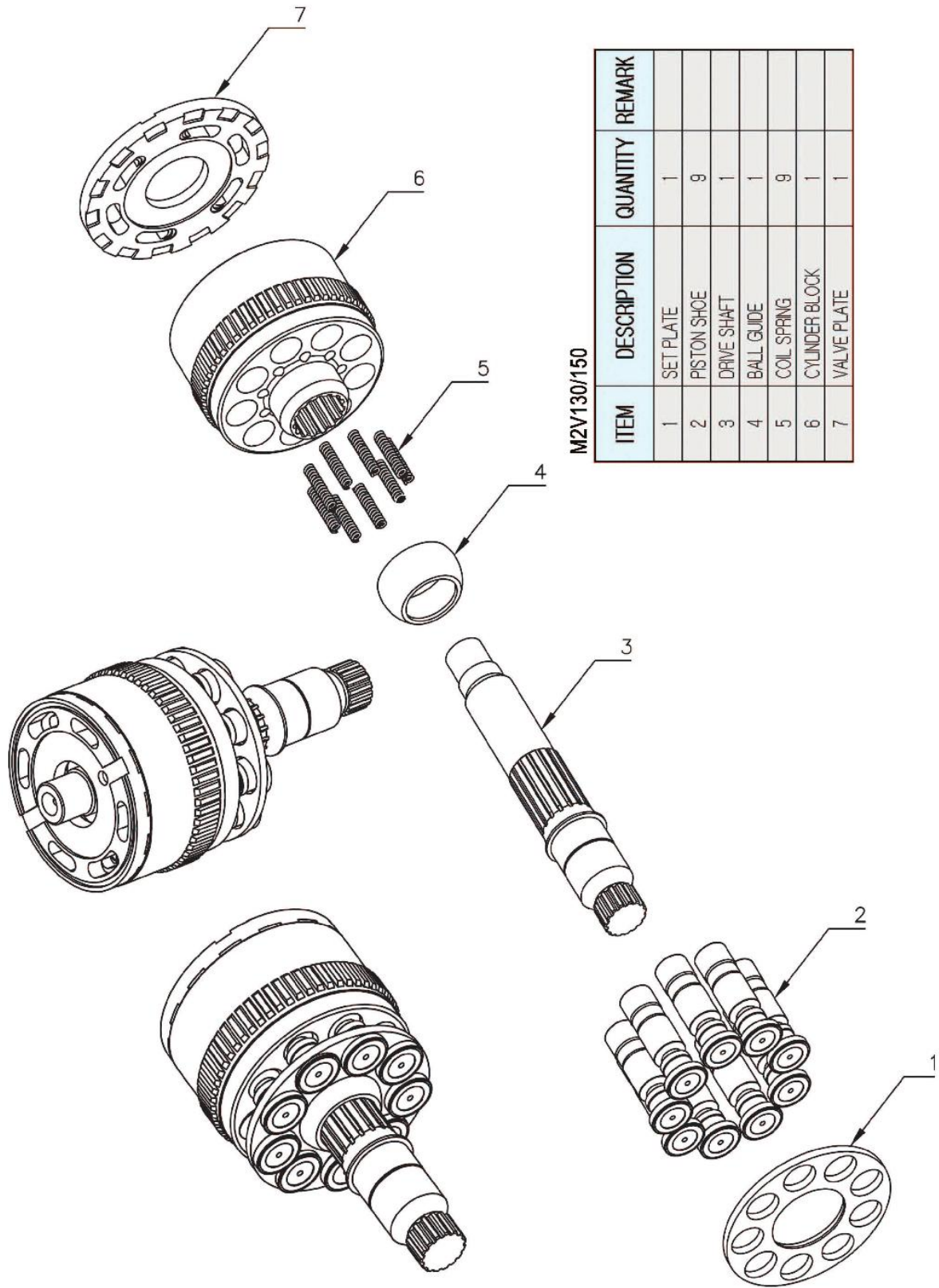


M2V SERIES FOR NABTESCO



M2V130/150

ITEM	DESCRIPTION	QUANTITY	REMARK
1	SET PLATE	1	
2	PISTON SHOE	9	
3	DRIVE SHAFT	1	
4	BALL GUIDE	1	
5	COIL SPRING	9	
6	CYLINDER BLOCK	1	
7	VALVE PLATE	1	

HAN DOK HYDRAULIC



M2V SERIES FOR NABTESCO



IT IS DIFFERENT SHAPE BETWEEN M2V130(SK200-5) AND M2V150(SK200-1/3)

	M2V130(SK200-5)	M2V150(SK200-1/3)
BALL GUIDE & SET PLATE		
PISTON SHOE		
VALVE PLATE		
CYLINDER BLOCK		