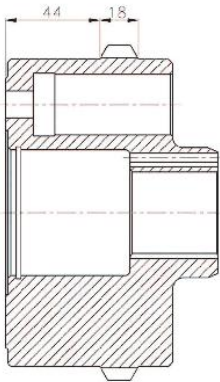




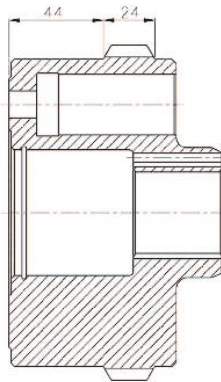
M2X SERIES



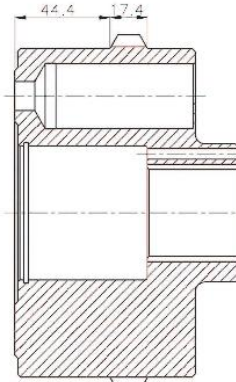
IT IS DIFFERENT SHAPE BETWEEN
M2X170&210 AND M2X170&210(CAT TYPE) PARTS



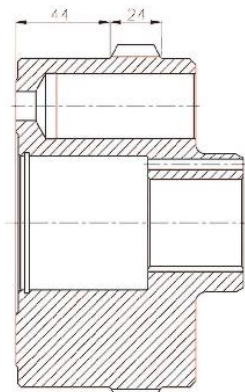
M2X170



M2X170 (CAT TYPE)



M2X210

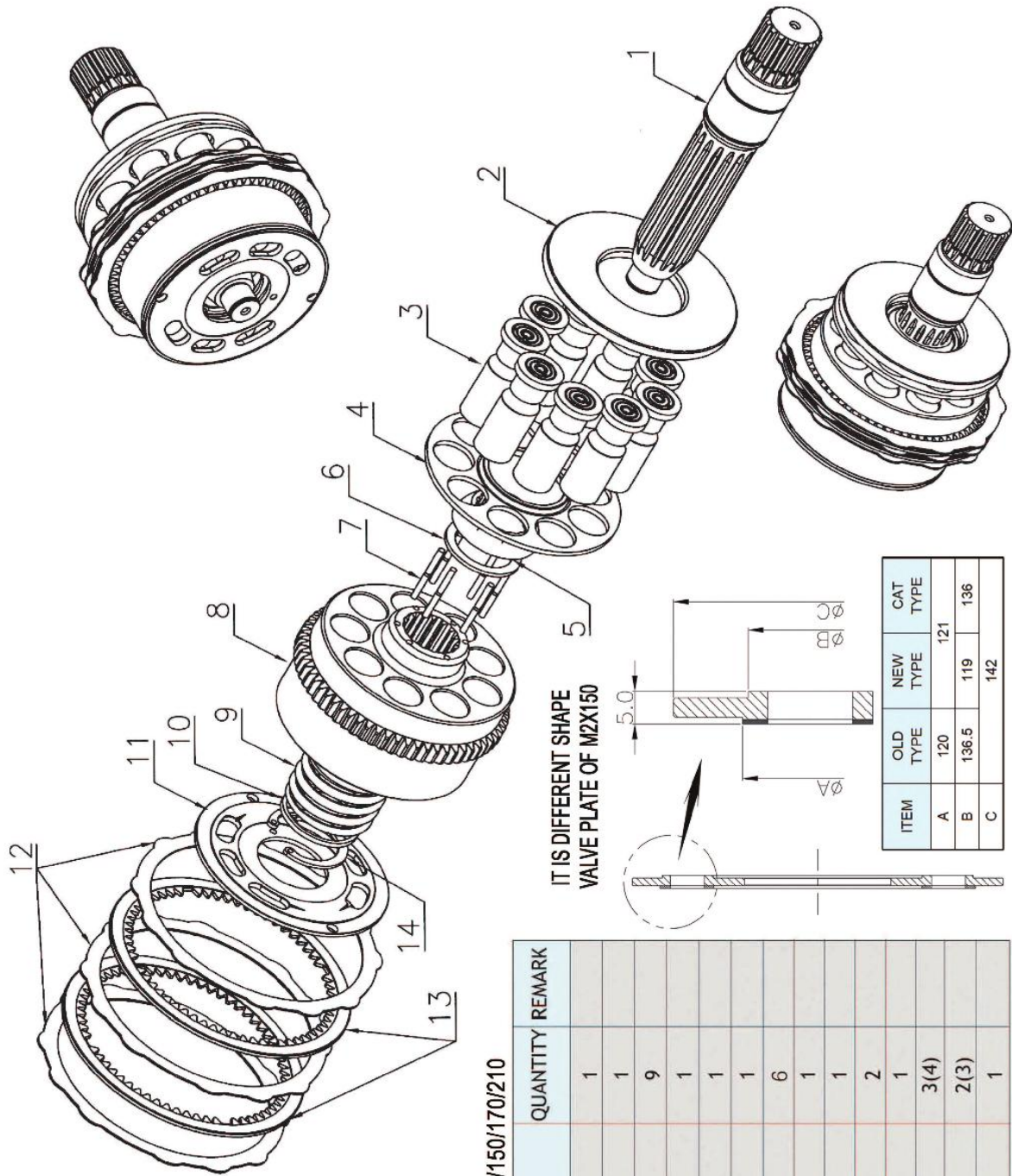


M2X210 (CAT TYPE)

IT IS DIFFERENT SHAPE BETWEEN M2X150 DRIVE SHAFT AND M2X150(CAT TYPE) DRIVE SHAFT

M2X150	M2X150 (CAT TYPE)
<p>16T 10.45 256</p>	<p>13T 10.45 288</p>

M2X SERIES



M2X55/63/96/120/128/146/150/170/210

ITEM	DESCRIPTION	QUANTITY	REMARK
1	DRIVE SHAFT	1	
2	SHOE PLATE	1	
3	PISTON SHOE	9	
4	SET PLATE	1	
5	BALL GUIDE	1	
6	SPACE OF BALL GUIDE	1	
7	PIN OF CYLINDER BLOCK	6	
8	CYLINDER BLOCK	1	
9	COIL SPRING	1	
10	SPACE	2	
11	VALVE PLATE	1	
12	SEPARATION PLATE	3(4)	
13	FRICTION PLATE	2(3)	
14	SNAP RING	1	

ITEM	OLD TYPE	NEW TYPE	CAT TYPE
A	120	121	136
B	136.5	119	142
C			

HANDOK HYDRAULIC