



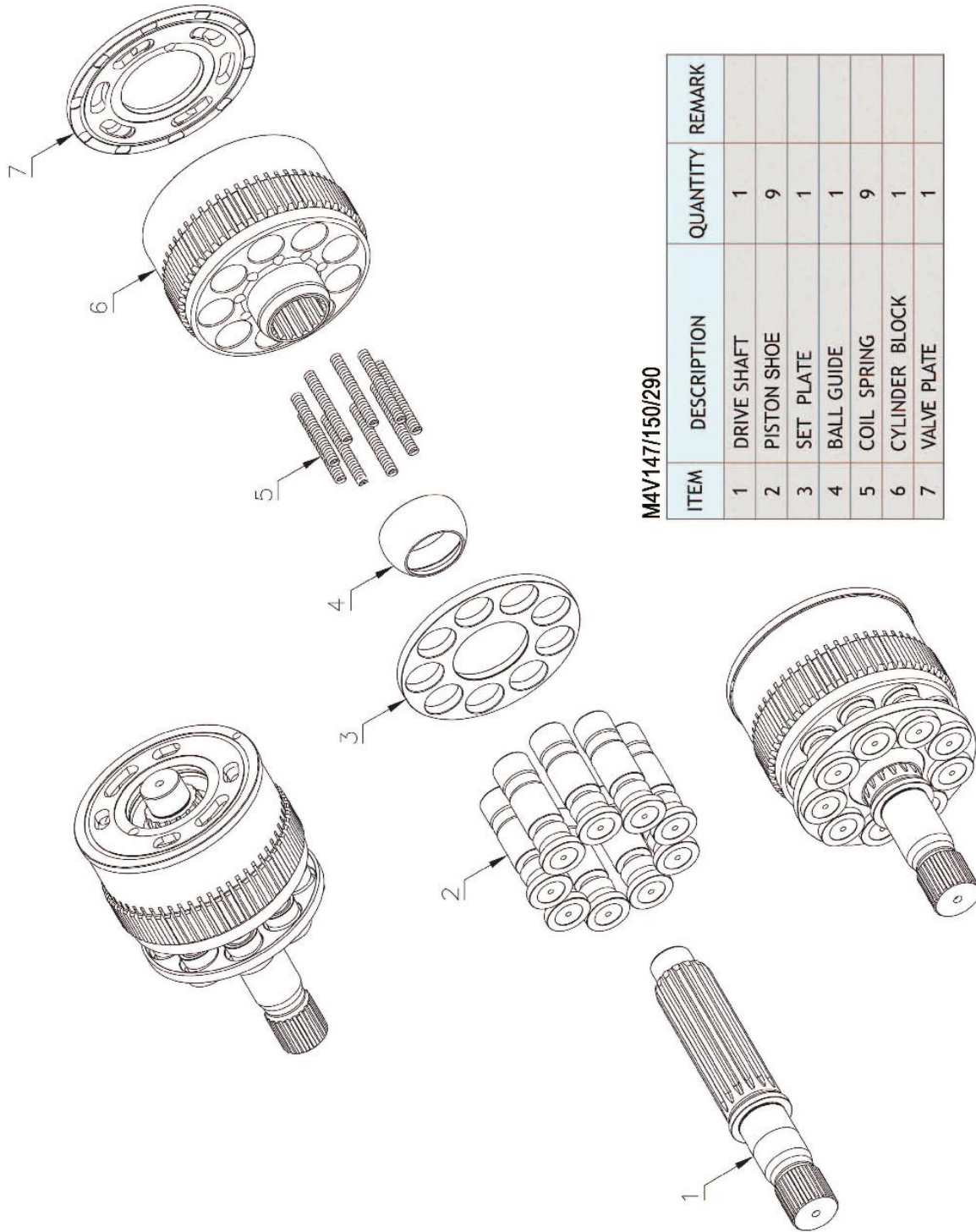
M4V SERIES FOR NABTESCO



IT IS DIFFERENT SHAPE BETWEEN M4V147(SK200-6E) AND M4V150(SK220-6E)

	M4V147(SK200-6E)	M4V150(SK220-6E)
BALL GUIDE & SET PLATE		
PISTON SHOE		
VALVE PLATE		
CYLINDER BLOCK		

M4V SERIES FOR NABTESCO



M4V147/150/290

ITEM	DESCRIPTION	QUANTITY	REMARK
1	DRIVE SHAFT	1	
2	PISTON SHOE	9	
3	SET PLATE	1	
4	BALL GUIDE	1	
5	COIL SPRING	9	
6	CYLINDER BLOCK	1	
7	VALVE PLATE	1	

HAN DOK HYDRAULIC