



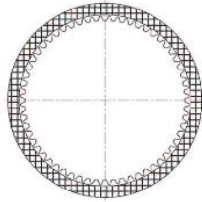
M5X SERIES



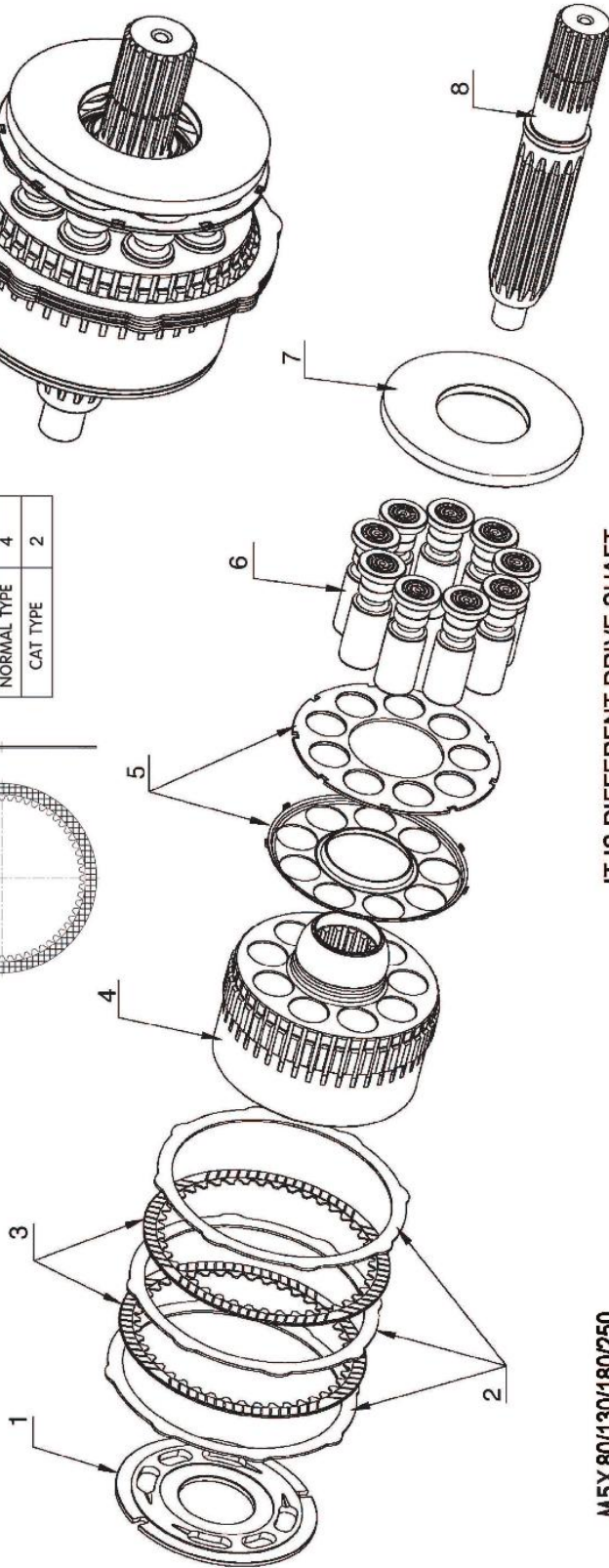
M5X SERIES



IT IS DIFFERENT FRICTION PLATE



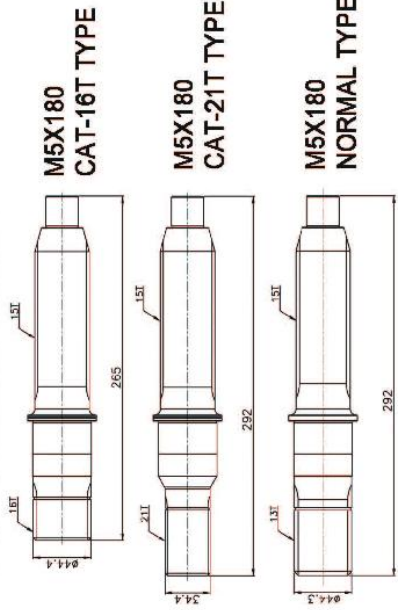
TYPE	t (mm)
NORMAL TYPE	4
CAT TYPE	2



M5X 80/130/180/250

ITEM	DESCRIPTION	QUANTITY	REMARK
1	VALVE PLATE	1	
2	SEPARATION PLATE	3	
3	FRICTION PLATE	2	
4	CYLINDER BLOCK	1	
5	SET PLATE WITH SPRING	1SET	
6	PISTON SHOE	9	
7	SHOE PLATE	1	
8	DRIVE SHAFT	1	

IT IS DIFFERENT DRIVE SHAFT



HAN DOK HYDRAULIC