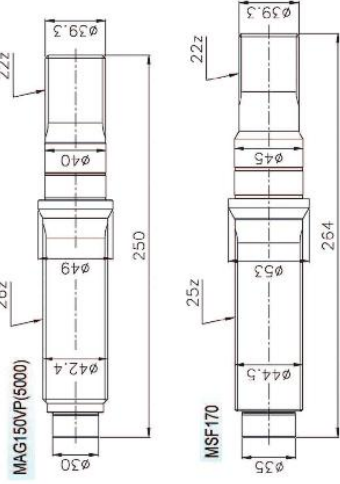


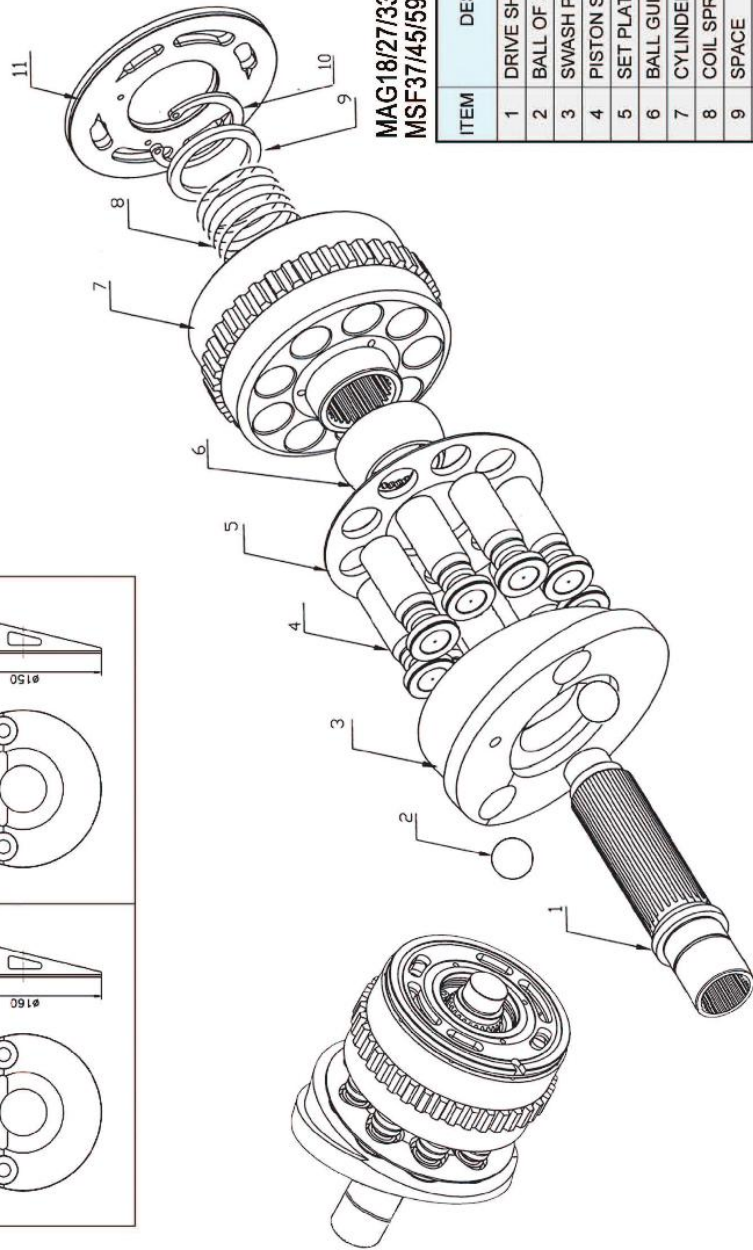
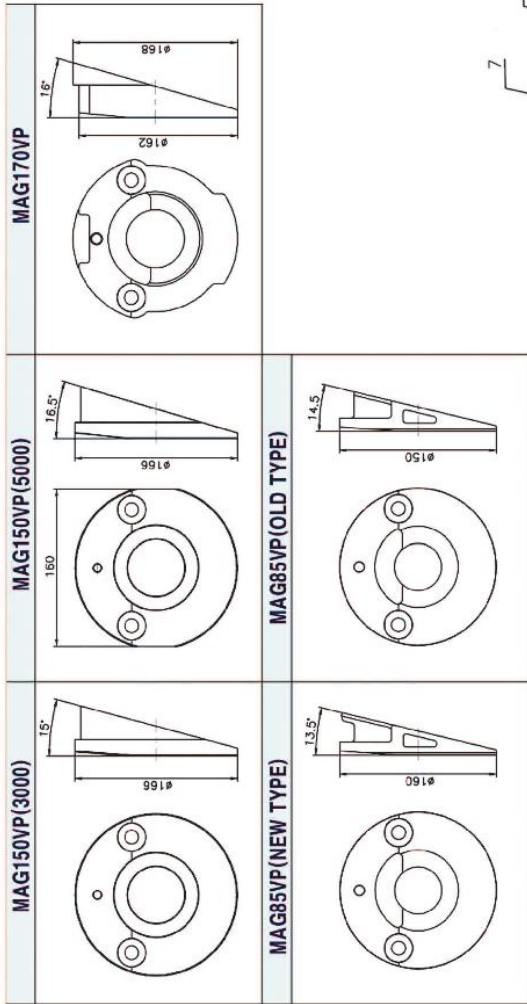
MAG/MSF SERIES



IT IS DIFFERENT SHAPE BETWEEN DRIVE SHAFT MAG SERIES AND MSF SERIES



IT IS DIFFERENT SHAPE SWASH PLATE



MAG18/27/33/85/150/170/200/330
MSF37/45/59/89/170/200/230/340

ITEM	DESCRIPTION	QUANTITY	REMARK
1	DRIVE SHAFT	1	
2	BALL OF SWASH PLATE	2	
3	SWASH PLATE	1	
4	PISTON SHOE	9	
5	SET PLATE	1	
6	BALL GUIDE	1	
7	CYLINDER BLOCK	1	
8	COIL SPRING	1	
9	SPACE	1	
10	SNAP RING	1	
11	VALVE PLATE	1	

HAN DOK HYDRAULIC