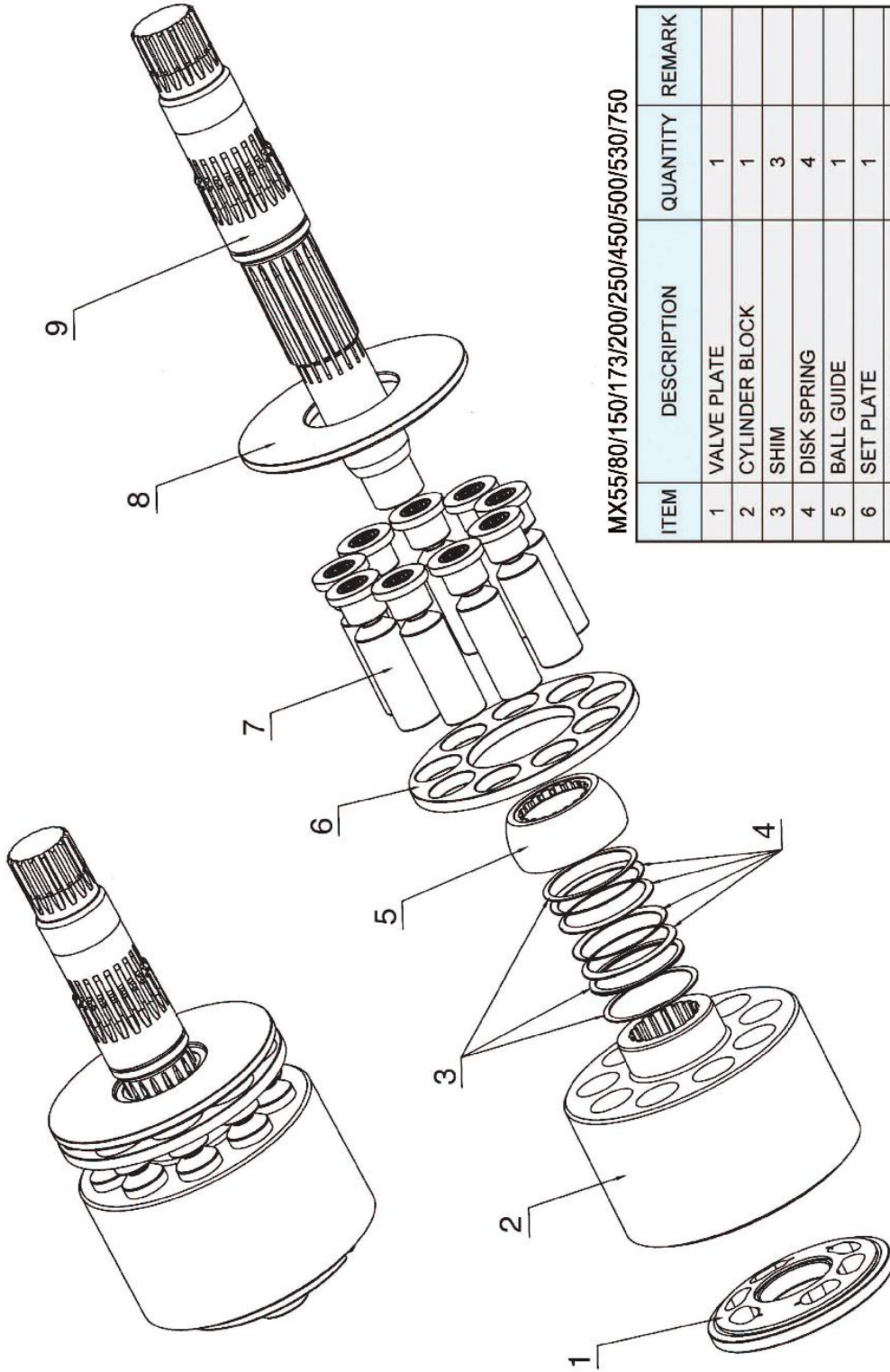


MX SERIES



MX55/80/150/173/200/250/450/500/530/750

ITEM	DESCRIPTION	QUANTITY	REMARK
1	VALVE PLATE	1	
2	CYLINDER BLOCK	1	
3	SHIM	3	
4	DISK SPRING	4	
5	BALL GUIDE	1	
6	SET PLATE	1	
7	PISTON SHOE	9	
8	SHOE PLATE	1	
9	DRIVE SHAFT	1	

HANDOK HYDRAULIC



MX SERIES

