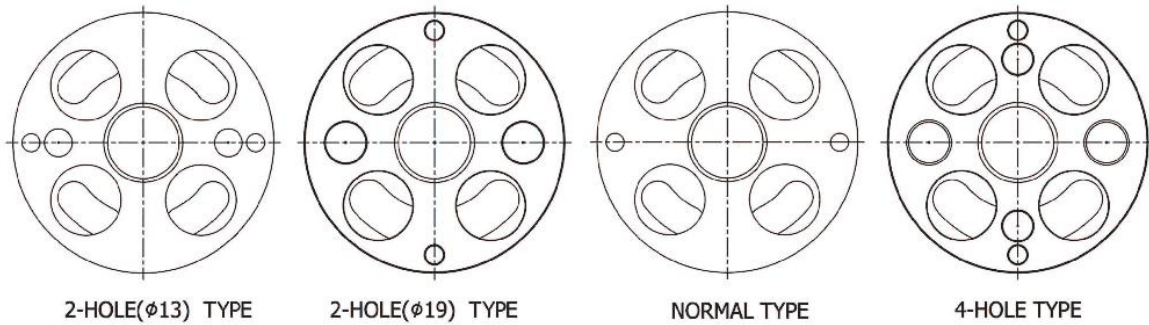




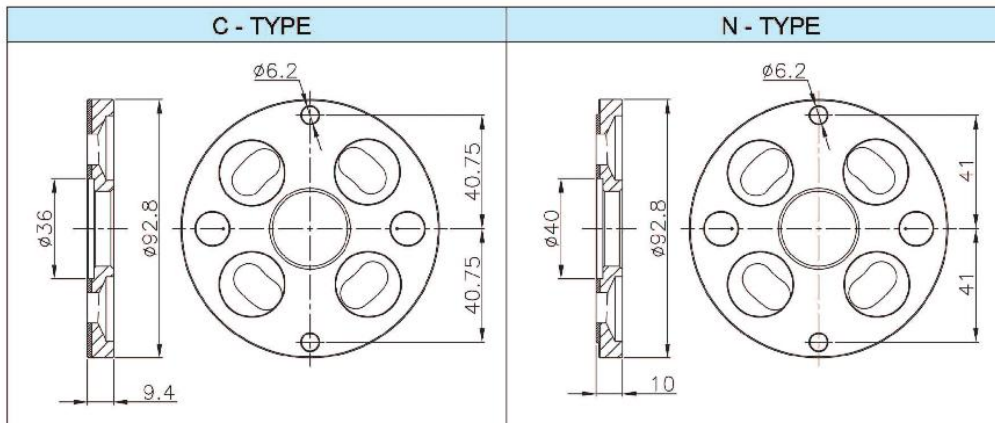
SG/MFB SERIES



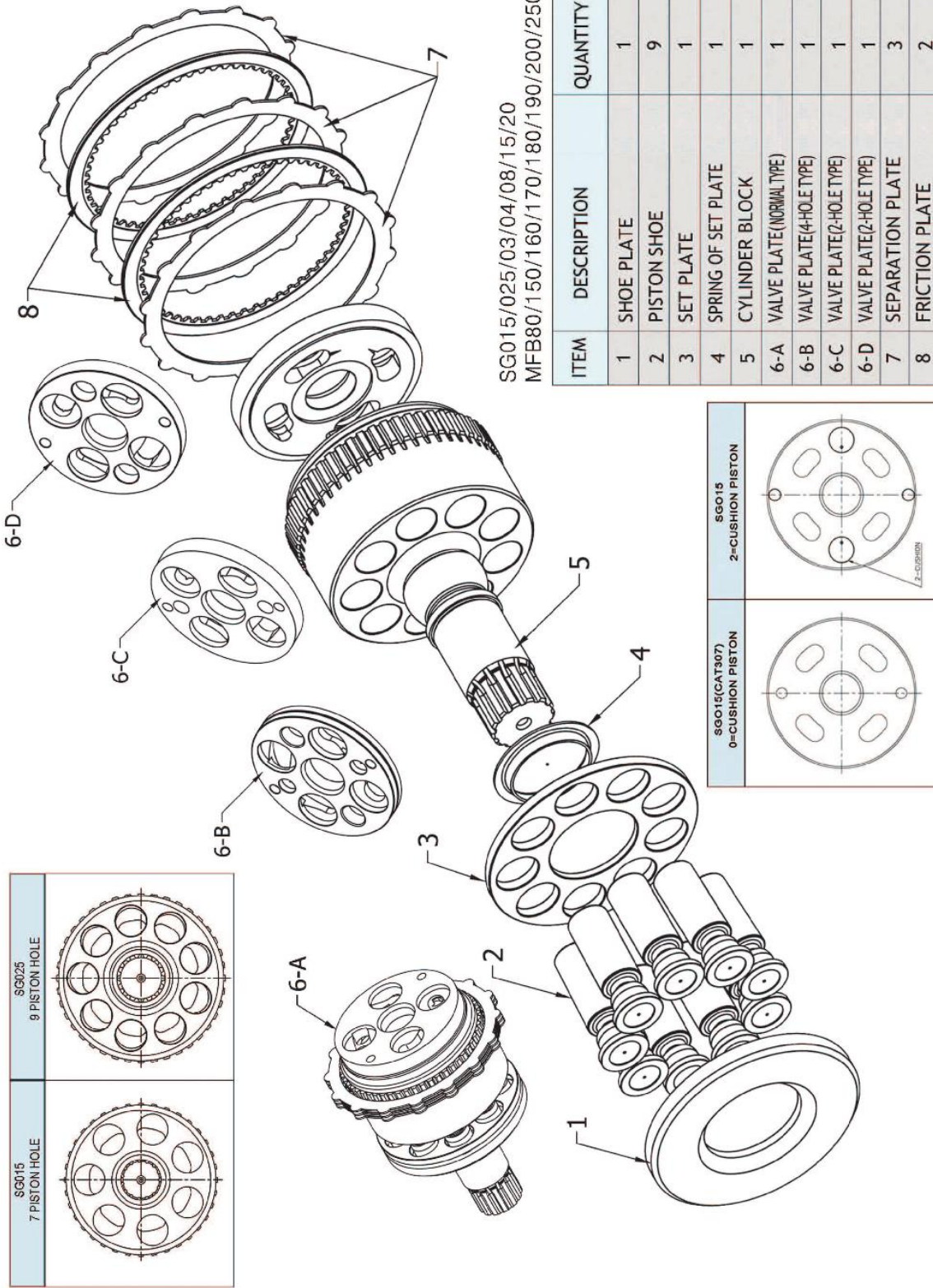
IT IS DIFFERENT VALVE PLATE (SG08) OF BACK FACE



IT IS DIFFERENT VALVE PLATE (SG02) C-TYPE AND N-TYPE



SG/MFB SERIES



SG015/025/03/04/08/15/20
MFB80/150/160/170/180/190/200/250

ITEM	DESCRIPTION	QUANTITY	REMARK
1	SHOE PLATE	1	
2	PISTON SHOE	9	
3	SET PLATE	1	
4	SPRING OF SET PLATE	1	
5	CYLINDER BLOCK	1	
6-A	VALVE PLATE (NORMAL TYPE)	1	
6-B	VALVE PLATE (4-HOLE TYPE)	1	
6-C	VALVE PLATE (2-HOLE TYPE)	1	φ13
6-D	VALVE PLATE (2-HOLE TYPE)	1	φ19
7	SEPARATION PLATE	3	
8	FRICTION PLATE	2	

HAN DOK HYDRAULIC