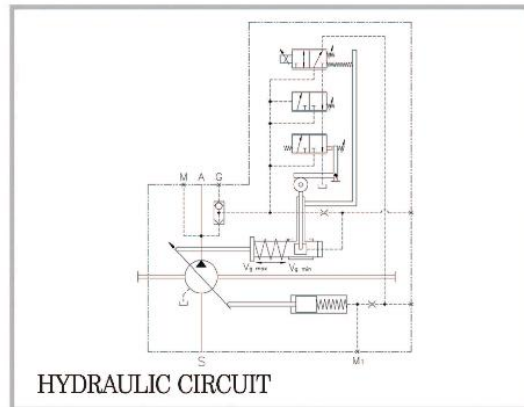


H11VLO190/260 SWASH PLATE TYPE PISTON PUMPS

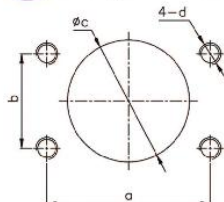


SPECIFICATIONS (FOR H11VLO190 & O260LRDU)

MODEL	H11VLO190/260
Discharge Rate(cc/rev)	190 / 260
Max. Pressure (kg/cm²)	350
Max. Speed (rpm)	2500 / 2300

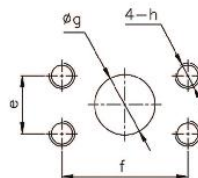


Flange Mounting face for Suction Port

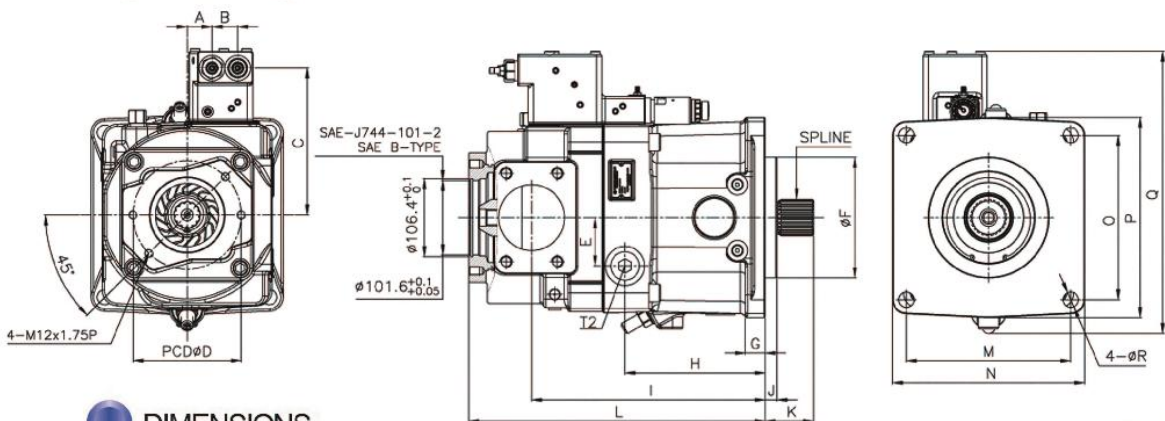


	(mm)	
	H11VLO190	H11VLO260
a	120.7	130.2
b	69.9	77.8
c	90	100
d	M16x2.0P	

Flange Mounting face for Delivery Port



	(mm)	
	H11VLO190	H11VLO260
e	36.5	
f	79.4	
g	38	
h	M16x2.0P	



DIMENSIONS

MODEL	A	B	C	D	E	F	G	H	I	J	K	L	M	N	O	P	Q	R	SPLINE
H11VLO190	34	35	200.5	146	66	165.1	27	196.5	321	15.9	65	410	224.5	262.5	224.5	273	385.2	21	24T
H11VLO260	40	35	212		72		30	214	346		437.5								28T