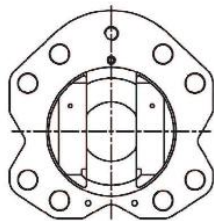




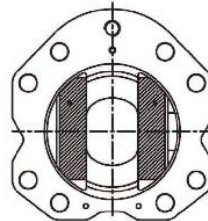
H3V/H5V SERIES



H3V SERIES



H5V SERIES



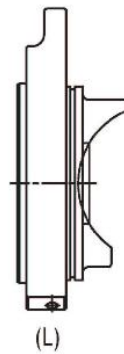
BRASS BRAZING ON THE SLIDE SURFACE OF H5V SERIES

CATERPILLAR

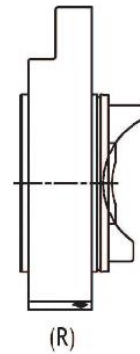
H3V SERIES



H5V SERIES



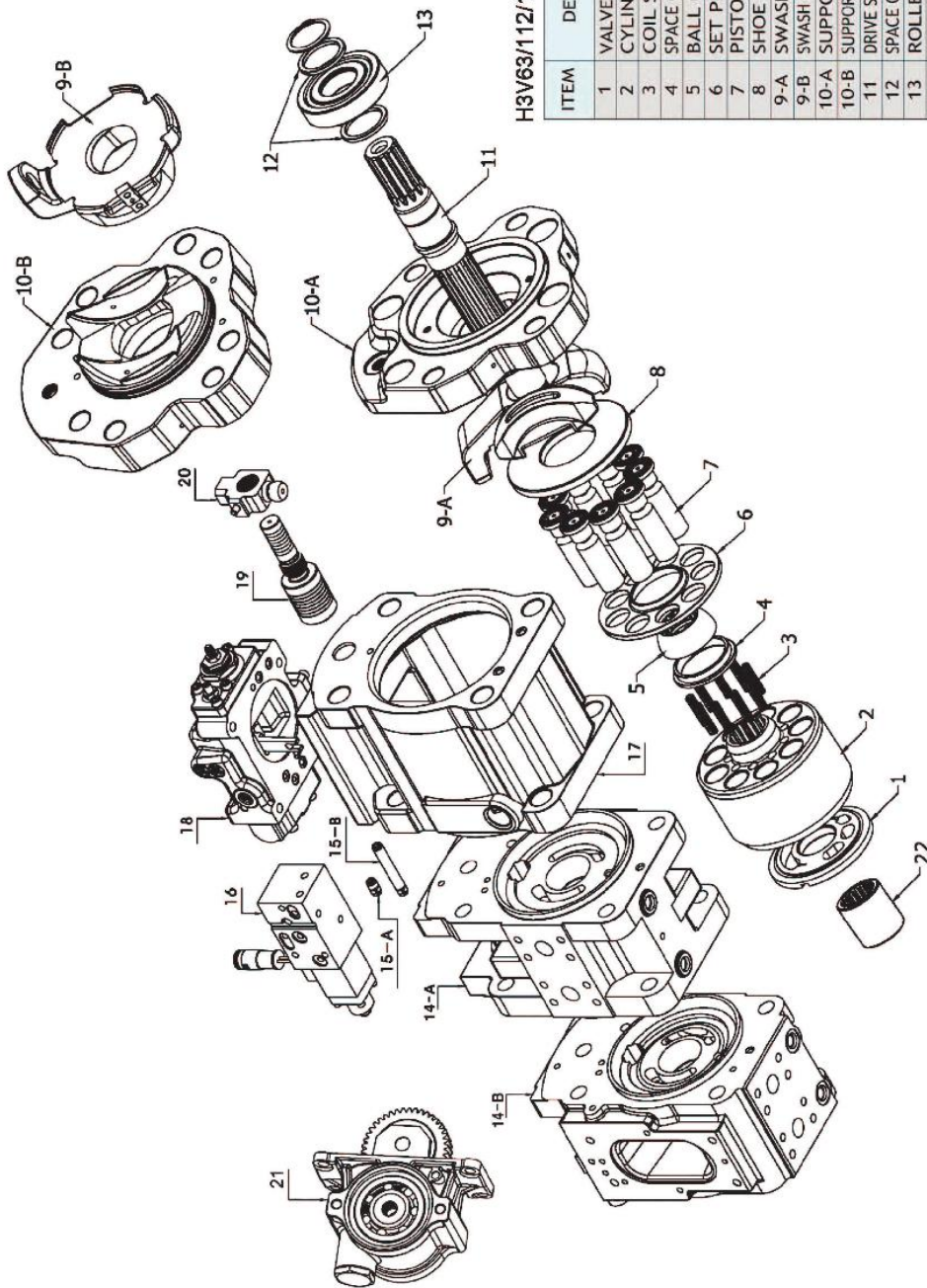
(L)



(R)

IT IS DIFFERENT SHAPE BETWEEN H3V SERIES AND H5V SERIES

H3V/H5V SERIES



H3V63/112/140/180/280, H5V80/140/160/180/200

ITEM	DESCRIPTION	QUANTITY	REMARK
1	VALVE PLATE(L/R)	1	
2	CYLINDER BLOCK	1	
3	COIL SPRING	9	
4	SPACE OF BALL GUIDE	1	
5	BALL GUIDE	1	
6	SET PLATE	1	
7	PISTON SHOE	9	
8	SHOE PLATE	1	
9-A	SWASH PLATE (CATERPILLER)	1	
9-B	SWASH PLATE (CATERPILLER)	1	
10-A	SUPPORT (CATERPILLER)	1	
10-B	SUPPORT (CATERPILLER)	1	
11	DRIVE SHAFT (FR/RR)	1	
12	SPACE OF DRIVE SHAFT	2	
13	ROLLER BEARING	1	
14-A	VALVE BLOCK	1	
14-B	VALVE BLOCK(HV/DTP/H5V SERIES)	1	
15-A	CHECK VALVE-SHORT	1	
15-B	CHECK VALVE-LONG	1	
16	EPR VALVE	1	
17	CASE	1	
18	REGULATOR ASSY	1	
19	SERVO PISTON	1	
20	TILTING PIN	1	
21	PTO BOX ASSY	1	
22	COUPLING	1	

HAN DOK HYDRAULIC