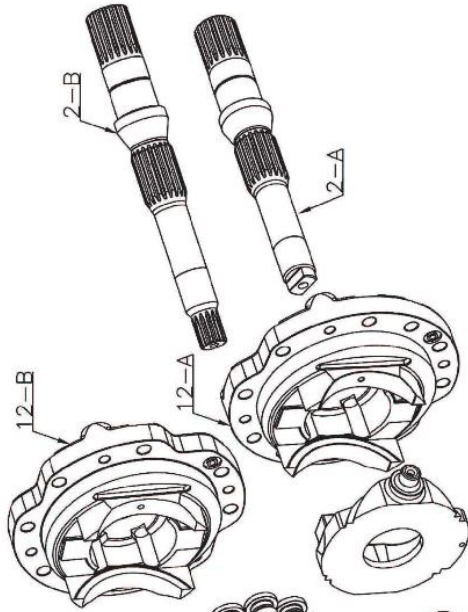
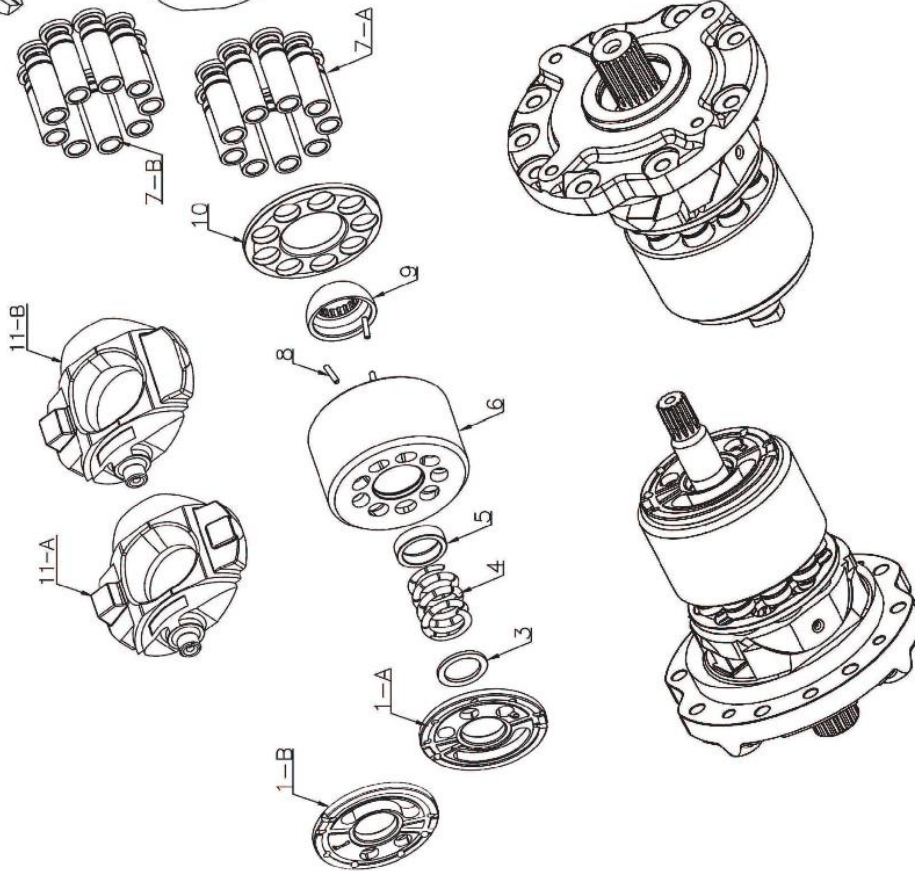


# HPV75(PC60-6/7/8)



HPV75(PC60-6/7/8)

ITEM	DESCRIPTION	QUANTITY	REMARK
1-A	VALVE PLATE (PC60-6)	1	
1-B	VALVE PLATE (PC60-7/8)	1	
2-A	DRIVE SHAFT (PC60-6)	1	
2-B	DRIVE SHAFT (PC60-7/8)	1	
3	SPACE-A	1	
4	COIL SPRING	1	
5	SPACE-B	1	
6	CYLINDER BLOCK	1	
7-A	PISTON SHOE (PC60-7/8)	9	
7-B	PISTON SHOE (PC60-6)	9	
8	PIN OF CYLINDER BLOCK	3	
9	BALL GUIDE	1	
10	SET PLATE	1	
11-A	CAM ROCKER (PC60-7/8)	1	
11-B	CAM ROCKER (PC60-6)	1	
12-A	CRADLE (PC60-7/8)	1	
12-B	CRADLE (PC60-6)	1	



HAN DOK HYDRAULIC

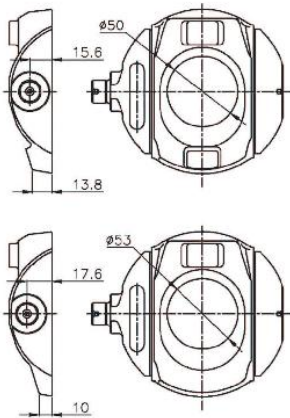


# HPV75(PC60-6/7/8)



IT IS DIFFERENT SHAPE BETWEEN PC60-6 AND PC60-7/8

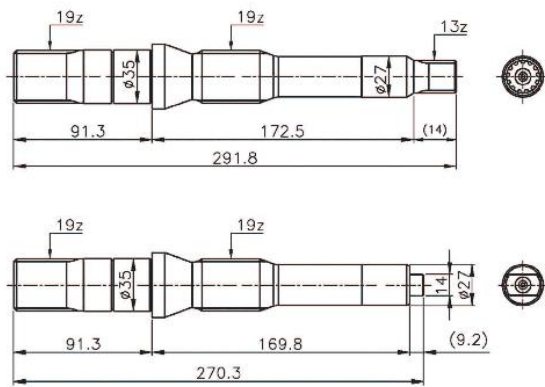
\* CAM ROCKER \*



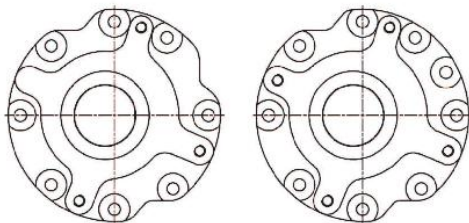
PC60-7/8

PC60-6

\* DRIVE SHAFT \*



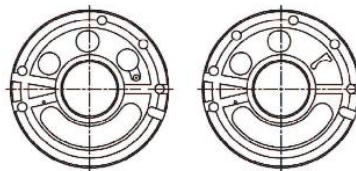
\* CRADLE \*



PC60-6

PC60-7/8

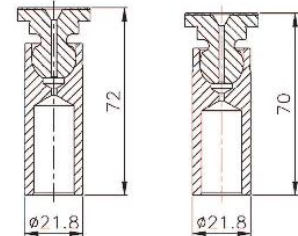
\* VALVE PLATE \*



PC60-6

PC60-7/8

\* PISTON \*



PC60-6

PC60-7/8