

H10VO28LR FOR ZAXIS70

HORSE POWER CONTROL

SWASH PLATE TYPE PISTON PUMP

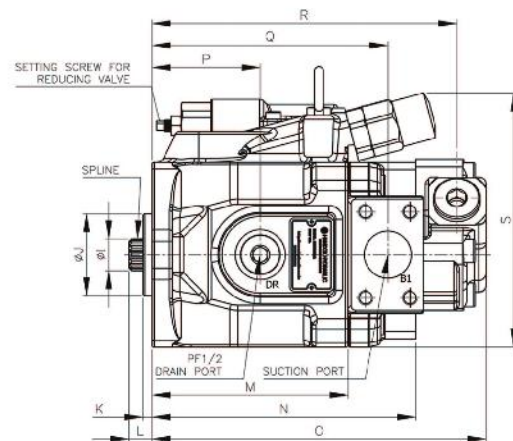
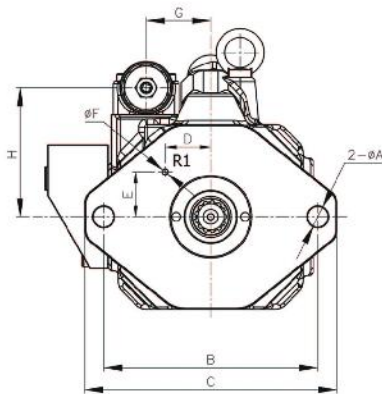
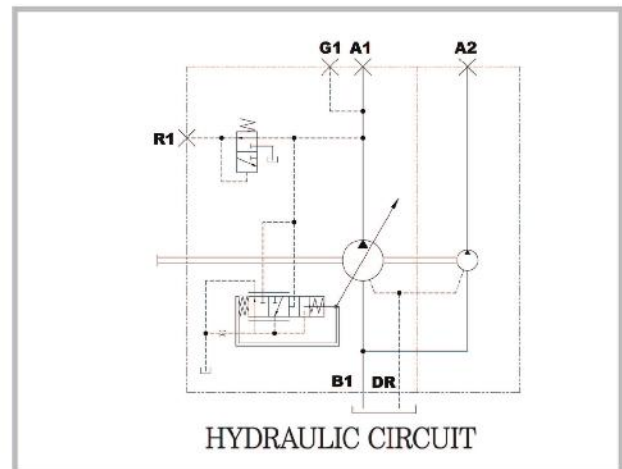


SPECIFICATIONS

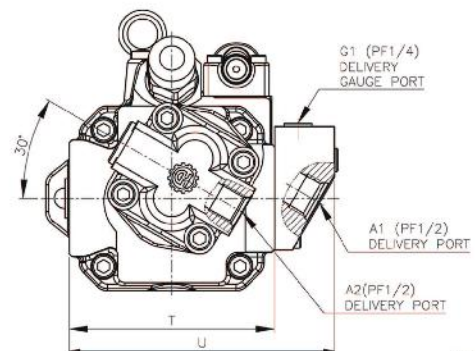
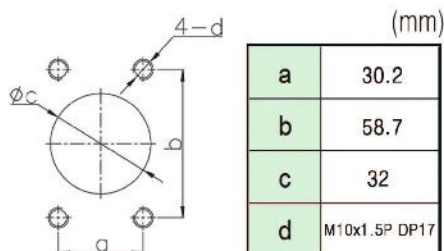
MODEL	H10VO28LR
Discharge rate(cc/rev)	28
Max. pressure (kg/cm ²)	260
Max.speed(rpm)	2300

Dimensions of Shaft End(Spline Type)

MODEL	No. of teeth	Fitch circle dia(mm)	Module	Pressure angle	Standard
H10VO28LR	13	20.64	16/32	30°	SAE J498B



Flange Mounting face for Suction Port



DIMENSIONS

MODEL	A	B	C	D	E	F	G	H	I	J	K	L	M	N	O	P	Q	R	S	T	U
H10VO28LR	14	146	172	31	30.6	4	44	88	21.8	56	6.3	16	134	180	228	74	161	208	173	140	181

(mm)