

# H10VD43 FOR HITACHI SWASH PLATE TYPE PISTON PUMP

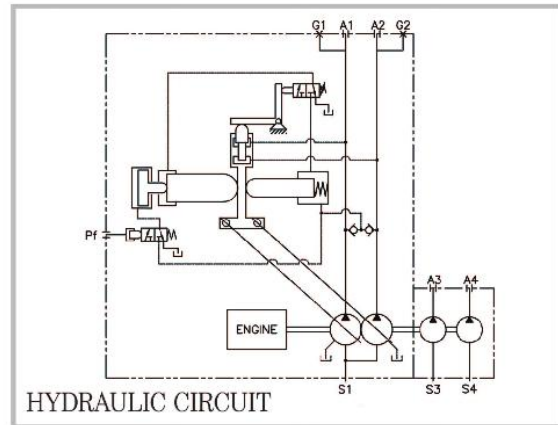
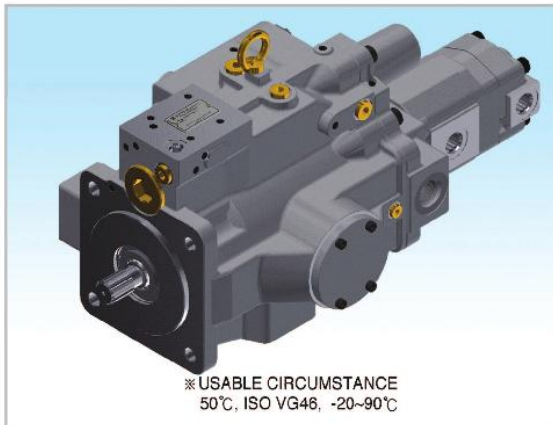


## SPECIFICATIONS

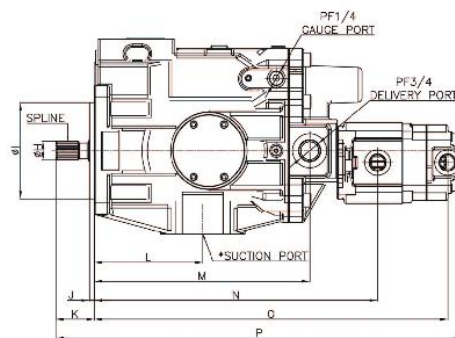
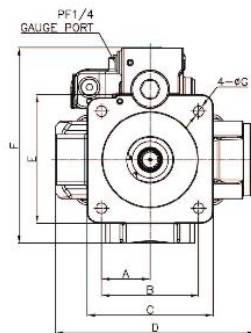
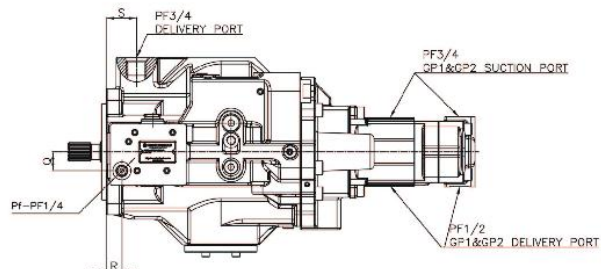
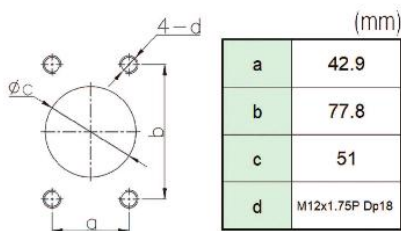
<b>MODEL</b>	H10VD43 (For HITACHI)
<b>Discharge Rate(cc/rev)</b>	36 x 2
<b>Max. Pressure (kg/cm<sup>2</sup>)</b>	260
<b>Max. Speed (rpm)</b>	2,200

## Dimensions of Shaft End(Spline Type)

MODEL	No. of teeth	Pitch circle dia(mm)	Module	Pressure angle	Standard
H10VD43 (For HITACHI)	15	23.813	16/32	30°	SAE J498B



## Flange Mounting face for Suction Port



## DIMENSIONS

(mm)

MODEL	A	B	C	D	E	F	G	H	I	J	K	L	M	N	O	P	Q	R	S
H10VD43 (For HITACHI)	64	128	166	263	170	258	14	24.8	127	6.5	50.7	143	284	373.5	466	537	25	20.5	40

# H10VD43 FOR CATERPILLAR SWASH PLATE TYPE PISTON PUMP

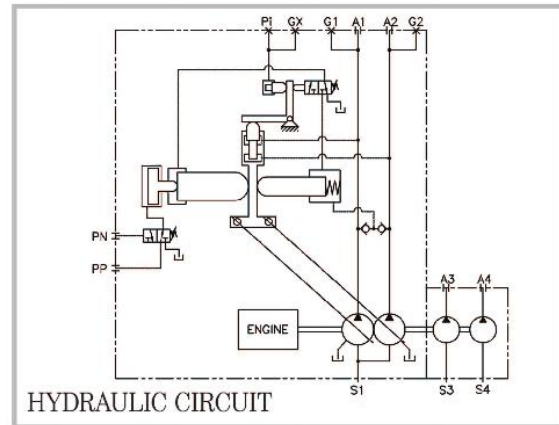
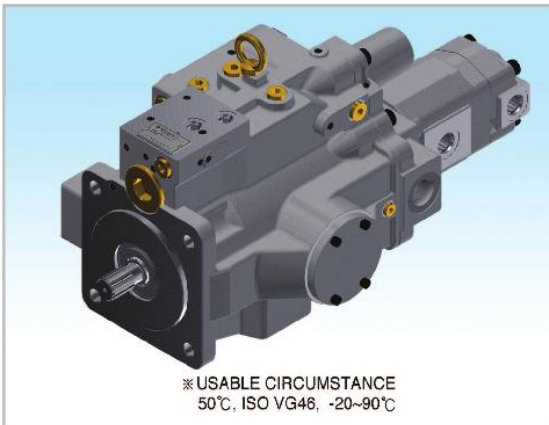


## SPECIFICATIONS

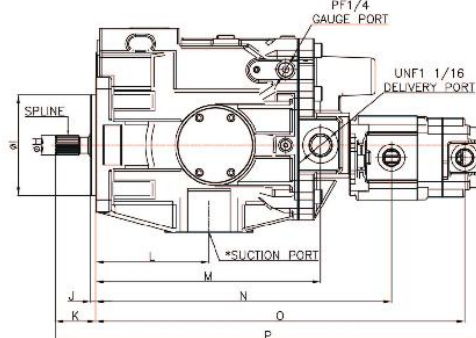
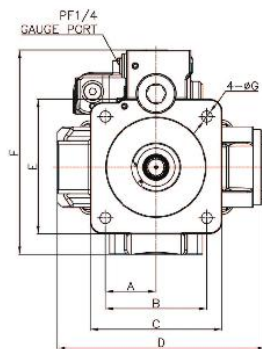
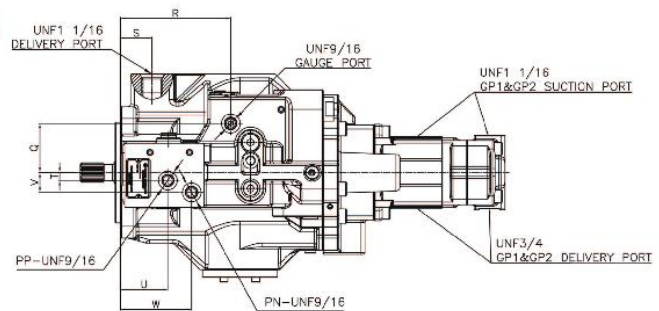
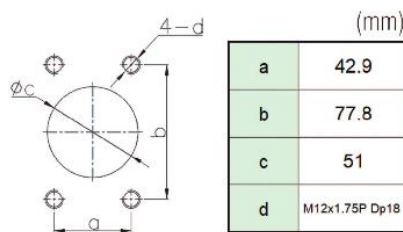
<b>MODEL</b>	H10VD43 (For CATERPILLAR)
<b>Discharge Rate(cc/rev)</b>	36 x 2
<b>Max. Pressure (kg/cm<sup>2</sup>)</b>	260(320)
<b>Max. Speed (rpm)</b>	2,200

## Dimensions of Shaft End(Spline Type)

MODEL	No. of teeth	Pitch circle dia(mm)	Module	Pressure angle	Standard
H10VD43 (For CATERPILLAR)	15	23.813	16/32	30°	SAE J498B



## Flange Mounting face for Suction Port



## DIMENSIONS

(mm)

MODEL	A	B	C	D	E	F	G	H	I	J	K	L	M	N	O	P	Q	R	S	T	U	V	W
H10VD43 (For CATERPILLAR)	64	128	166	263	170	258	14	24.8	127	6.5	50.7	143	284	373.5	466	537	62	139.5	40	10	60	25	90

# H10VD43 FOR SUMITOMO SWASH PLATE TYPE PISTON PUMP

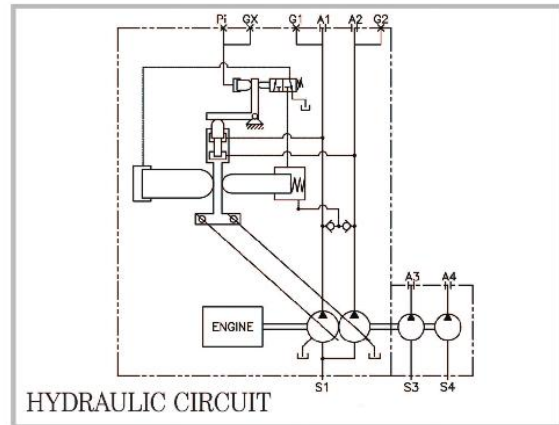
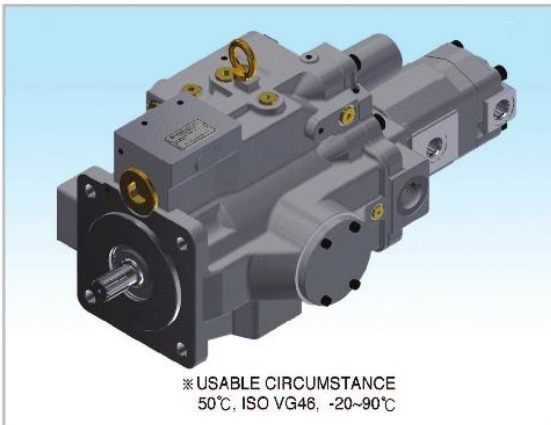


## SPECIFICATIONS

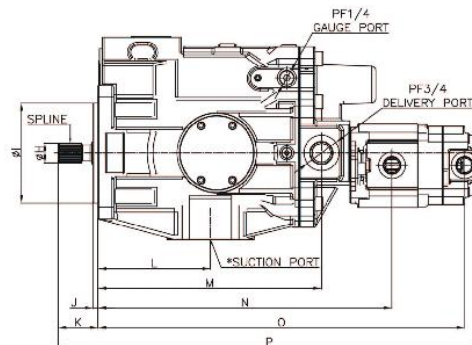
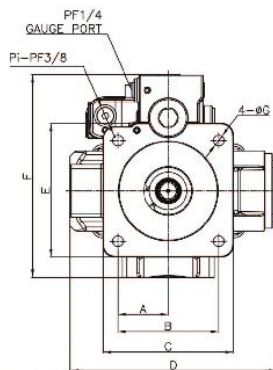
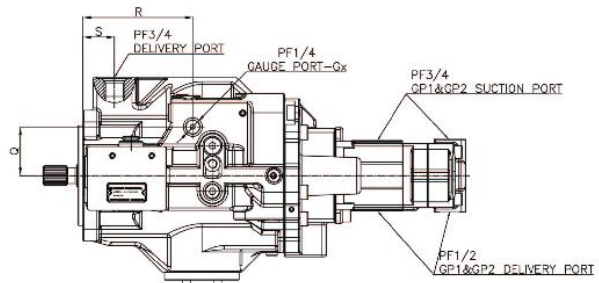
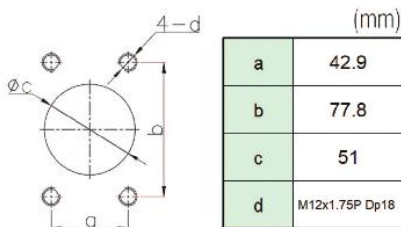
<b>MODEL</b>	H10VD43 (For SUMITOMO)
<b>Discharge Rate(cc/rev)</b>	36 x 2
<b>Max. Pressure (kg/cm<sup>2</sup>)</b>	260
<b>Max. Speed (rpm)</b>	2,200

## Dimensions of Shaft End(Spline Type)

MODEL	No. of teeth	Pitch circle dia(mm)	Module	Pressure angle	Standard
H10VD43 (For SUMITOMO)	15	23.813	16/32	30°	SAE J498B



## Flange Mounting face for Suction Port



## DIMENSIONS

(mm)

MODEL	A	B	C	D	E	F	G	H	I	J	K	L	M	N	O	P	Q	R	S
H10VD43 (For SUMITOMO)	64	128	166	263	170	258	14	24.8	127	6.5	50.7	143	284	373.5	466	537	62	139.5	40