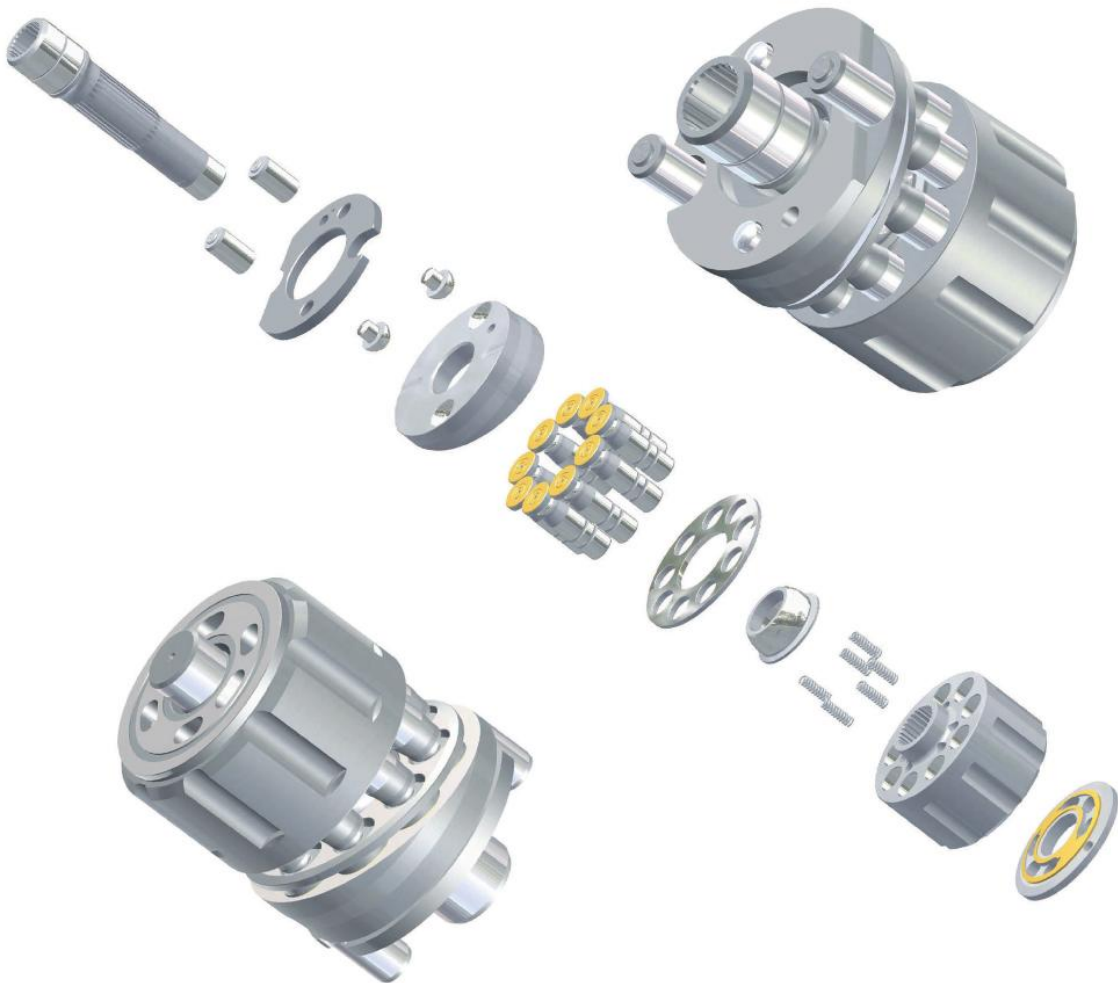
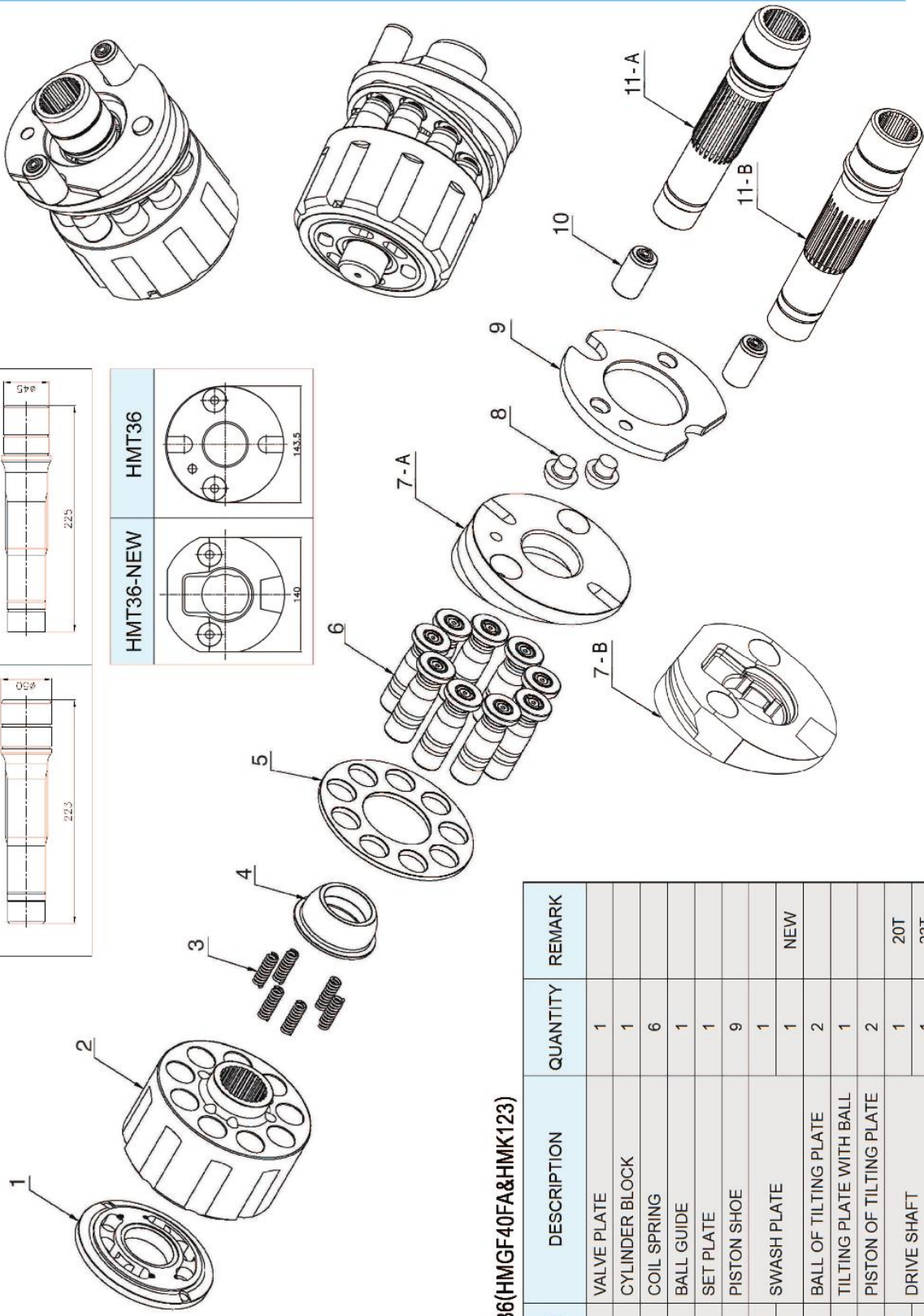
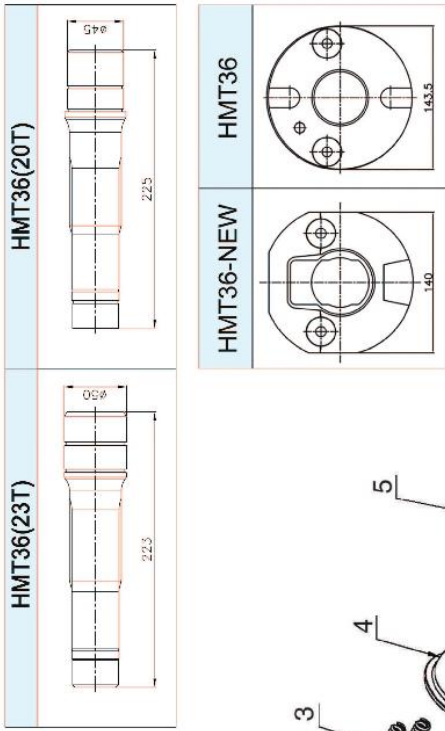




HMT36(HMGF40FA&HMK123)



HMT36(HMGF40FA&HMK123)



HMT36(HMGF40FA&HMK123)

ITEM	DESCRIPTION	QUANTITY	REMARK
1	VALVE PLATE	1	
2	CYLINDER BLOCK	1	
3	COIL SPRING	6	
4	BALL GUIDE	1	
5	SET PLATE	1	
6	PISTON SHOE	9	
7-A	SWASH PLATE	1	NEW
7-B	SWASH PLATE	1	
8	BALL OF TILTING PLATE	2	
9	TILTING PLATE WITH BALL	1	
10	PISTON OF TILTING PLATE	2	
11-A	DRIVE SHAFT	1	20T
11-B	DRIVE SHAFT	1	23T

HAN DOK HYDRAULIC