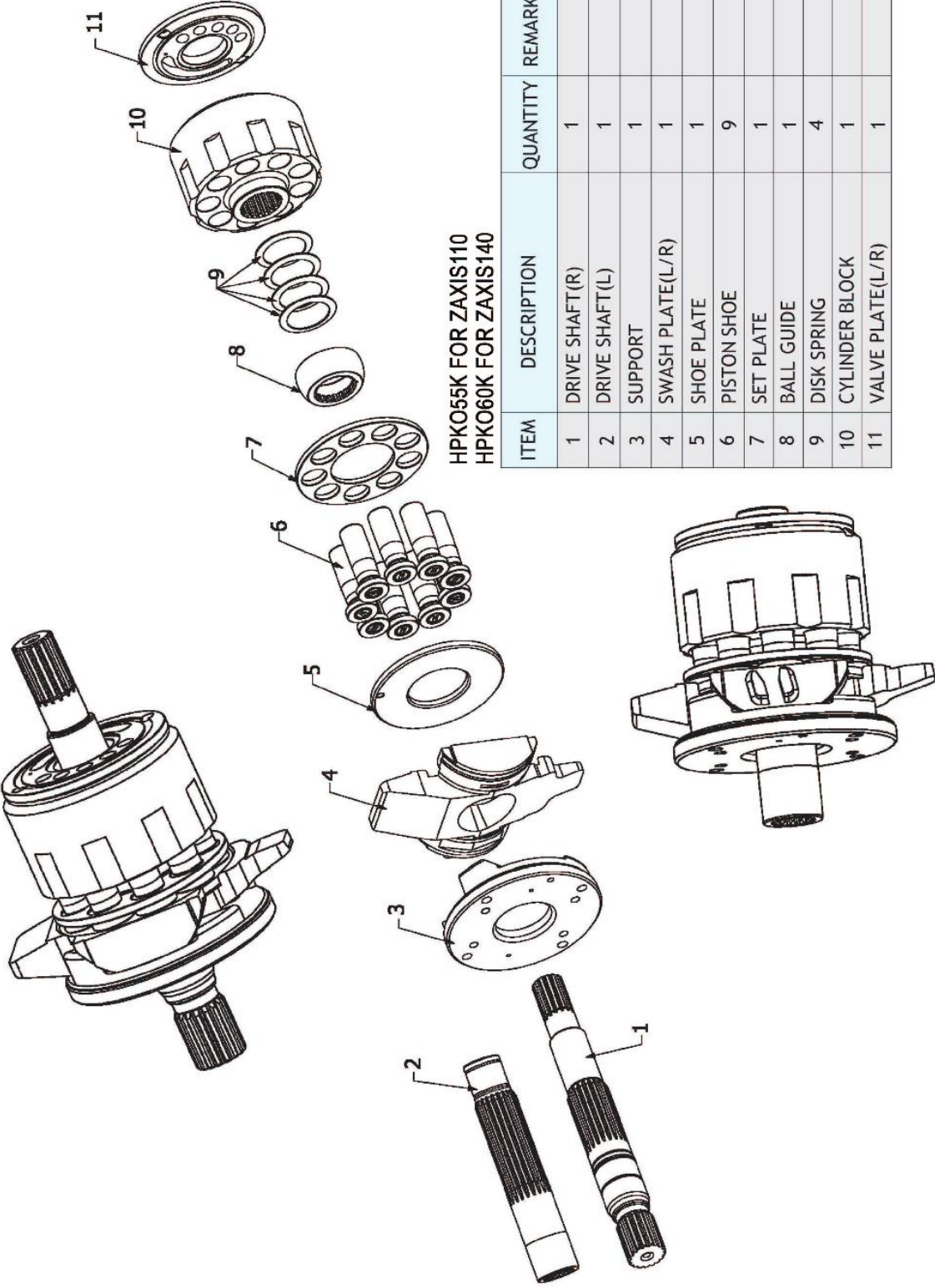




HPKO SERIES



HPKO SERIES



HPKO55K FOR ZAXIS110
 HPKO60K FOR ZAXIS140

ITEM	DESCRIPTION	QUANTITY	REMARK
1	DRIVE SHAFT (R)	1	
2	DRIVE SHAFT (L)	1	
3	SUPPORT	1	
4	SWASH PLATE (L/R)	1	
5	SHOE PLATE	1	
6	PISTON SHOE	9	
7	SET PLATE	1	
8	BALL GUIDE	1	
9	DISK SPRING	4	
10	CYLINDER BLOCK	1	
11	VALVE PLATE (L/R)	1	

HAN DOK HYDRAULIC