



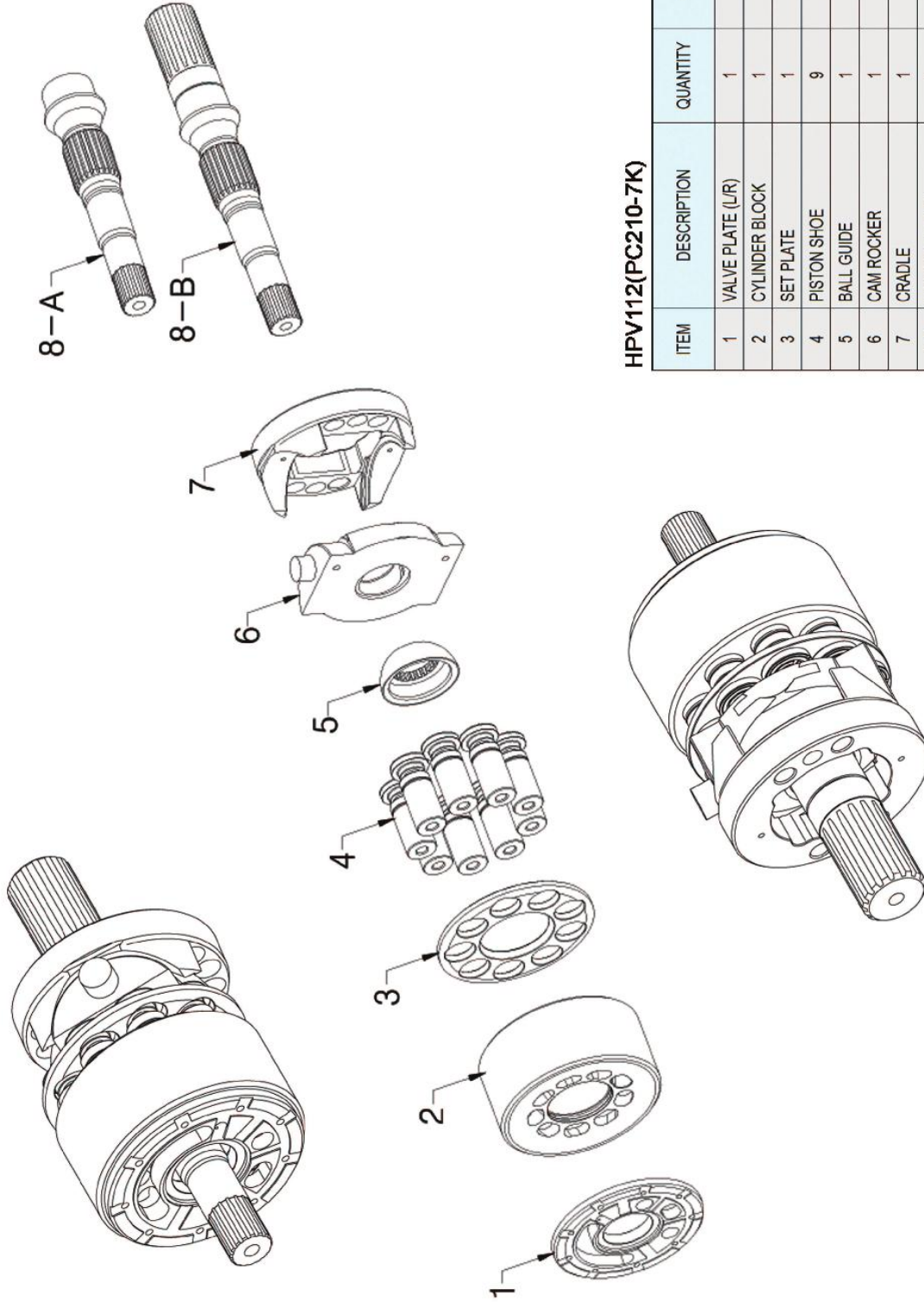
HPV112



	HPV112(PC210-7K)	HPV165(PC400-7)		HPV112(PC210-7K)	HPV165(PC400-7)	
PISTON			CAMROCKER			
BALL & SET PLATE				CYLINDER BLOCK		
VALVE PLATE						

IT IS DIFFERENT SHAPE BETWEEN HPV112(PC210-7K) AND HPV165(PC400-7)

HPV112



HPV112(PC210-7K)

ITEM	DESCRIPTION	QUANTITY	REMARK
1	VALVE PLATE (L/R)	1	
2	CYLINDER BLOCK	1	
3	SET PLATE	1	
4	PISTON SHOE	9	
5	BALL GUIDE	1	
6	CAM ROCKER	1	
7	CRADLE	1	
8-A	DRIVE SHAFT (L)	1	
8-B	DRIVE SHAFT (R)	1	

HAN DOK HYDRAULIC