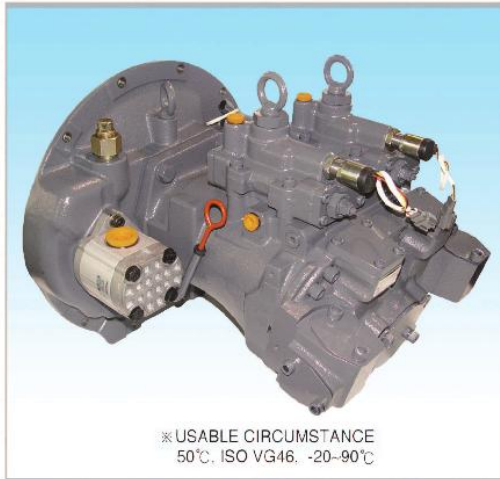


# HPVO102 FOR HITACHI / JOHN DEERE BENT AXIS TYPE AXIAL PISTON PUMP

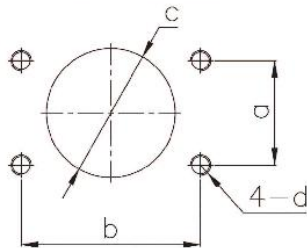


## SPECIFICATIONS

MODEL	HPVO102
Discharge Rate (cc/rev)	102
Max. Pressure (kg/cm <sup>2</sup> )	350
Max. Speed (rpm)	2000

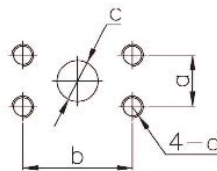
## Dimensions of Shaft End(Spline Type)

MODEL	No. of teeth	Pitch circle dia(mm)	Module	Pressure angle	Standard
HPVO102	15	37.5	2.5	20°	JIS B 1603 : 1995



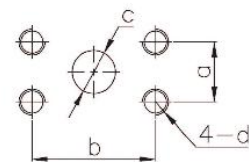
Flange Mounting face for Suction Port (mm)

MODEL	a	b	c	d
HPVO 102	62	106.4	∅76.5	M12X1.75P



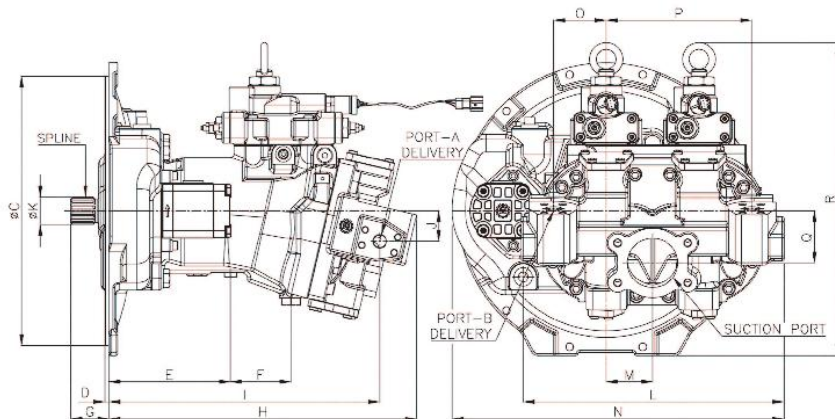
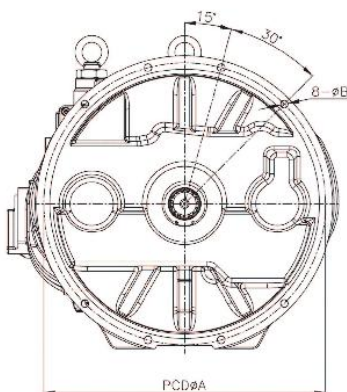
Flange Mounting face for Delivery Port-A (mm)

MODEL	a	b	c	d
HPVO 102	24	50.8	∅19	M10X1.5P



Flange Mounting face for Delivery Port-B (mm)

MODEL	a	b	c	d
HPVO 102	27.8	57.2	∅20	M12X1.75P

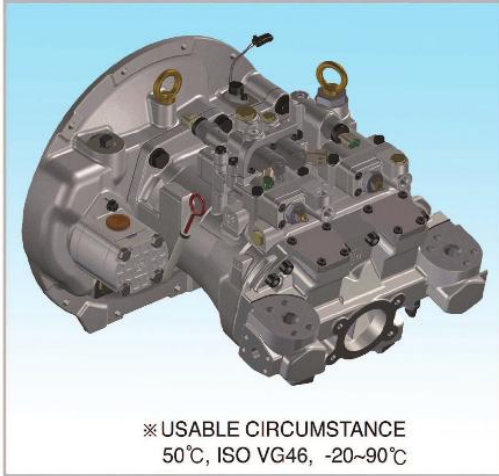


## DIMENSIONS

(mm)

MODEL	A	B	C	D	E	F	G	H	I	J	K	L	M	N	O	P	Q	R
HPVO102	428.5	11.3	409.6	6.5	184.5	92	58	467	411.3	46.3	42	396.5	70.6	504	80	221	79.3	477

# HPVO118 FOR HITACHI / JOHN DEERE BENT AXIS TYPE AXIAL PISTON PUMP

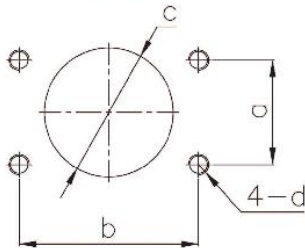


## SPECIFICATIONS

<b>MODEL</b>	HPVO118
<b>Discharge Rate (cc/rev)</b>	118
<b>Max. Pressure (kg/cm<sup>2</sup>)</b>	350
<b>Max. Speed (rpm)</b>	2000

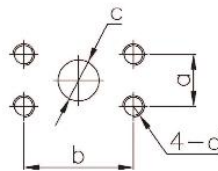
## Dimensions of Shaft End(Spline Type)

MODEL	No. of teeth	Pitch circle dia(mm)	Module	Pressure angle	Standard
HPVO118	15	37.5	2.5	20°	JIS B 1603 : 1995



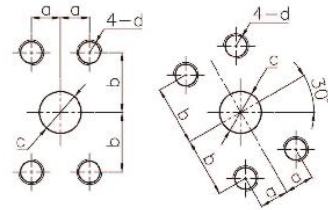
Flange Mounting face for Suction Port (mm)

MODEL	a	b	c	d
HPVO118	62	106.4	∅76.5	M12X1.75P



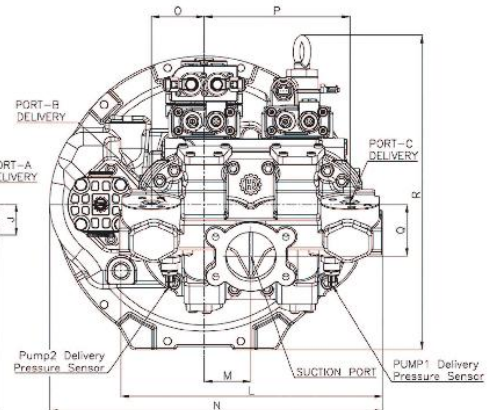
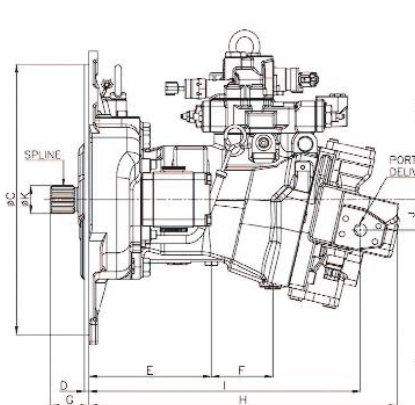
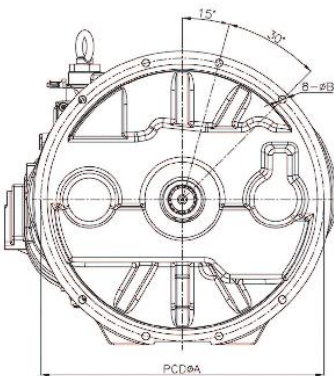
Flange Mounting face for Delivery Port-A (mm)

MODEL	a	b	c	d
HPVO118	24	50.8	∅19	M10X1.5P



Flange Mounting face for Delivery Port-B&C (mm)

MODEL	a	b	c	d
HPVO118	27.8	57.2	∅20	M12X1.75P



## DIMENSIONS

(mm)

MODEL	A	B	C	D	E	F	G	H	I	J	K	L	M	N	O	P	Q	R
HPVO118	428.5	11.3	409.6	6.5	184.5	92	58	467	411.3	46.3	42	396.5	70.6	504	80	221	79.3	477