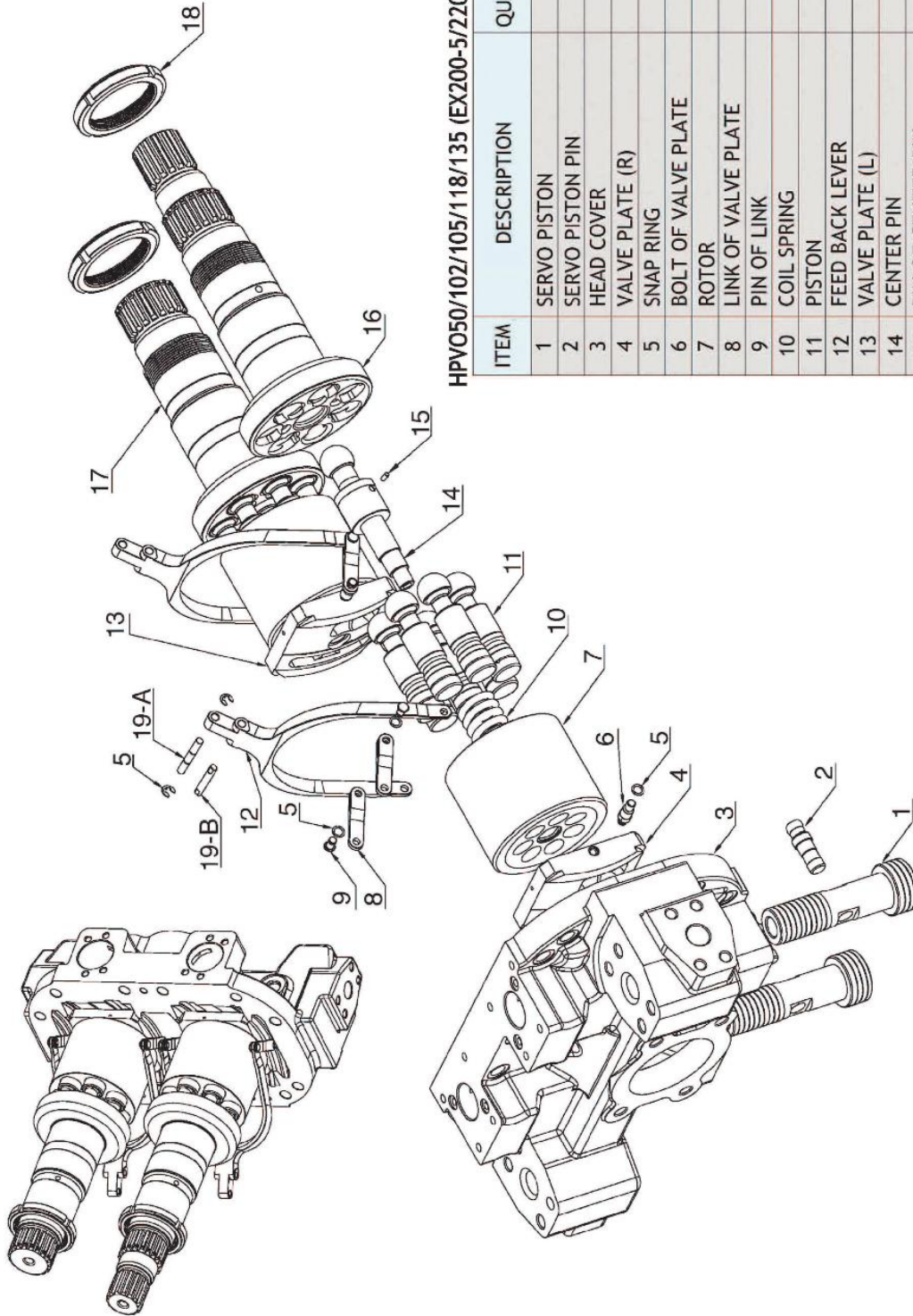


HPV050/102/105/118/135



HPV050/102/105/118/135 (EX200-5/220-5, ZAXIS200/220/230)

| ITEM | DESCRIPTION | QUANTITY | REMARK |
|------|---------------------|----------|--------|
| 1 | SERVO PISTON | 2 | |
| 2 | SERVO PISTON PIN | 2 | |
| 3 | HEAD COVER | 1 | |
| 4 | VALVE PLATE (R) | 1 | |
| 5 | SNAP RING | 12 | |
| 6 | BOLT OF VALVE PLATE | 4 | |
| 7 | ROTOR | 2 | |
| 8 | LINK OF VALVE PLATE | 4 | |
| 9 | PIN OF LINK | 4 | |
| 10 | COIL SPRING | 2 | |
| 11 | PISTON | 14 | |
| 12 | FEED BACK LEVER | 2 | |
| 13 | VALVE PLATE (L) | 1 | |
| 14 | CENTER PIN | 2 | |
| 15 | PIN OF CENTER PIN | 2 | |
| 16 | DRIVE SHAFT (R) | 1 | |
| 17 | DRIVE SHAFT (L) | 1 | |
| 18 | LOCK NUT | 2 | |
| 19-A | PIN OF FEED BACK-A | 2 | |
| 19-B | PIN OF FEED BACK-B | 2 | |

HAN DOK HYDRAULIC



HPV050/102/105/118/135

