

# H3SP30/36 SWASH PLATE TYPE PISTON PUMPS

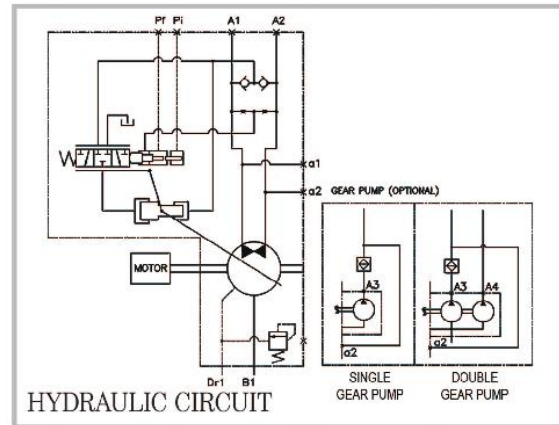
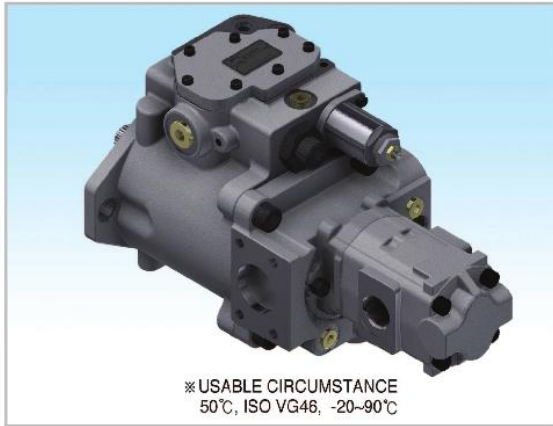


## SPECIFICATIONS

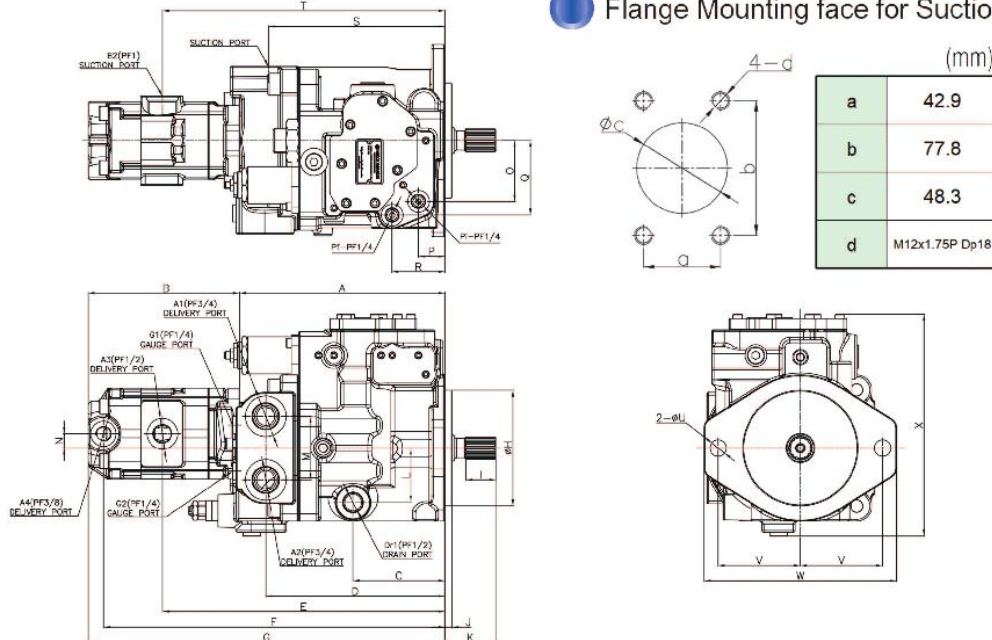
MODEL	H3SP30	H3SP36
Discharge Rate(cc/rev)	30 x 2	36 x 2
Max. Pressure (kg/cm <sup>2</sup> )	260	
Max. Speed (rpm)	2,300	

## Dimensions of Shaft End(Spline Type)

MODEL	No. of teeth	Pitch circle dia(mm)	Module	Pressure angle	Standard
H3SP30/36	15	22.5	1.5	20°	JIS B 1603



## Flange Mounting face for Suction Port



## DIMENSIONS

(mm)

MODEL	A	B	C	D	E	F	G	H	I	J	K	L	M	N	O	P	Q	R	S	T	U	V	W	X
H3SP30/36 SINGLE GEAR PUMP	226	92.5	101	197	301.5	—	318.5	127	33	8	56	60	70	16	67	29	82	58	194	311	18	90.5	212	244
H3SP30/36 DOUBLE GEAR PUMP		166.5																						

# H3SP36 FOR TAKEUCHI SWASH PLATE TYPE PISTON PUMP

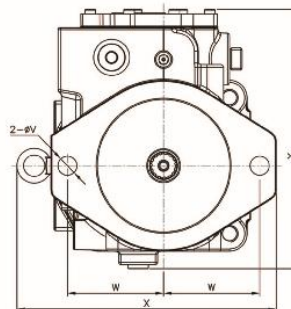
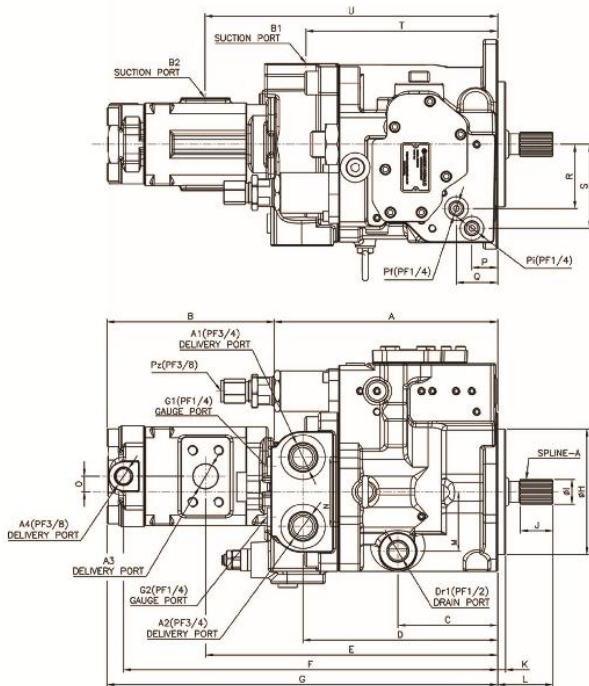
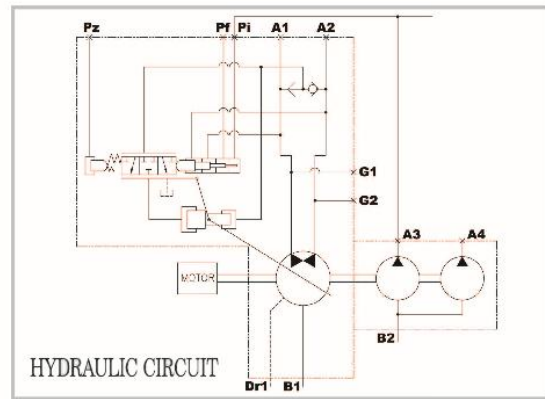


## SPECIFICATIONS

MODEL	H3SP36 (FOR TAKEUCHI)
Discharge Rate (cc/rev)	36 X 2
Max. Pressure (kg/cm <sup>2</sup> )	260
Max. Speed (rpm)	2,300

## Dimensions of Shaft End(Spline Type)

MODEL	No. of teeth	Pitch circle dia(mm)	Module	Pressure angle	Standard
H3SP36 (FOR TAKEUCHI)	15	22.5	1.5	20°	JIS



## Flange Mounting face for Suction Port

(mm)

	B1 (SUCTION PORT)	B2 (SUCTION PORT)	A3 (DELIVERY PORT)
a	42.9	30.2	26.2
b	77.9	58.7	52.4
c	48	32	24
d	M12x1.75P Dp18	M10x1.5P Dp15	M10x1.5P Dp15

## DIMENSIONS

(mm)

MODEL	A	B	C	D	E	F	G	H	I	J	K	L	M	N	O	P	Q	R	S	T	U	V	W	X	Y
H3SP36 (FOR TAKEUCHI)	226	169.4	101	197	295.5	378.5	395.4	127	25	33	8	56	60	70	18	26	42	65	85	194	286	18	91	244	244