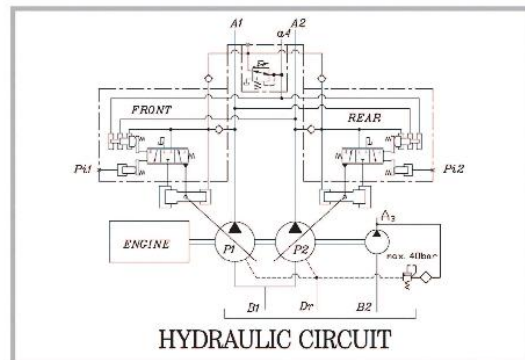
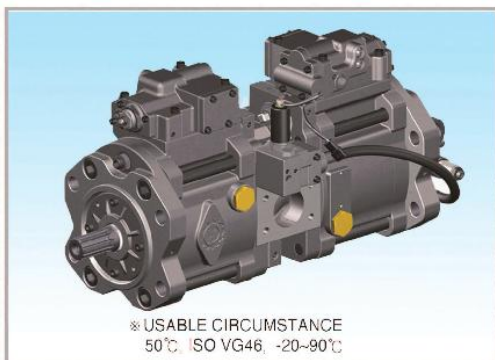


# H3V/H5V DT SERIES SWASH PLATE TYPE DOUBLE PISTON PUMPS



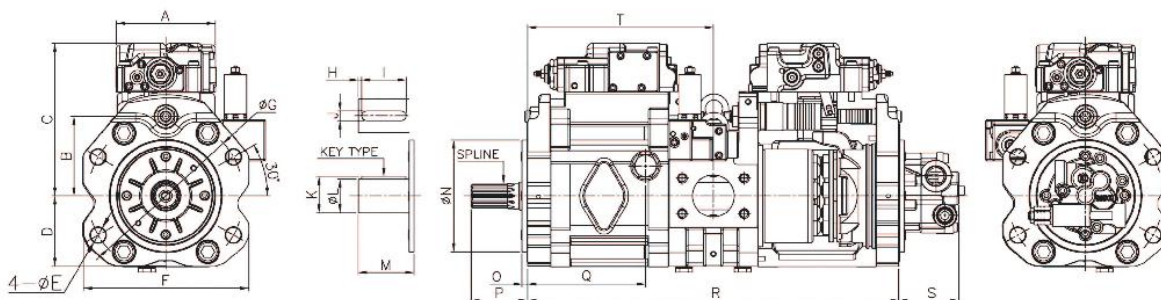
## SPECIFICATIONS (FOR 9N00 / 9P00 TYPE)

MODEL	H3V63DT	H5V112DT	H3V140DT H5V180DT	H3V280DT
Discharge Rate(cc/rev)	63	112	140 / 180	280
Max. Pressure (kg/cm <sup>2</sup> )	350			
Max. Speed (rpm)	2650	2360	2150	1900



## Dimensions of Shaft End(Spline Type)

MODEL	No. of teeth	Pitch Circle Dia. (mm)	Module	Pressure Angle	Standard
H3V63DT	14	29.6	12/24	30°	ANSI B92.1b:1970
H3V112DT	12	30	2.5	20°	JIS B 1603 : 1995
	14	35			
H3V140&180DT	14	35	2.5	20°	
	17	42.5			
H3V180DT(KOBELCO TYPE)	14	42	3.0	20°	DIN5480:1991
H3V280DT	22	66	3.0	30°	



## DIMENSIONS

MODEL	A	B	C	D	E	F	G	H	I	J	K	L	M	N	O	P	Q	R	S	T
H3V63DT	98	195	89	18	190	180							76	125		76	138	456		203
H3V112DT	114	220	100		234	224							78	160		78	167	534	93	269
H3V140&180DT	140	133	245	114	22	258	250	5	95	18	64	60	93	180	8	93	190	610	96	305
													180							
H3V280DT	158	286	128	26	302	300				20	74.5	70	115	200	9	115	203	748	104	374

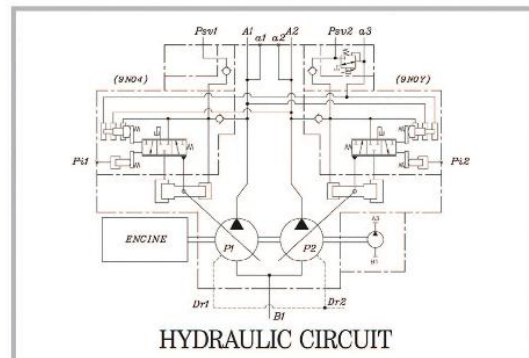
(mm)

# H3V/H5V DTH SERIES SWASH PLATE TYPE DOUBLE PISTON PUMPS



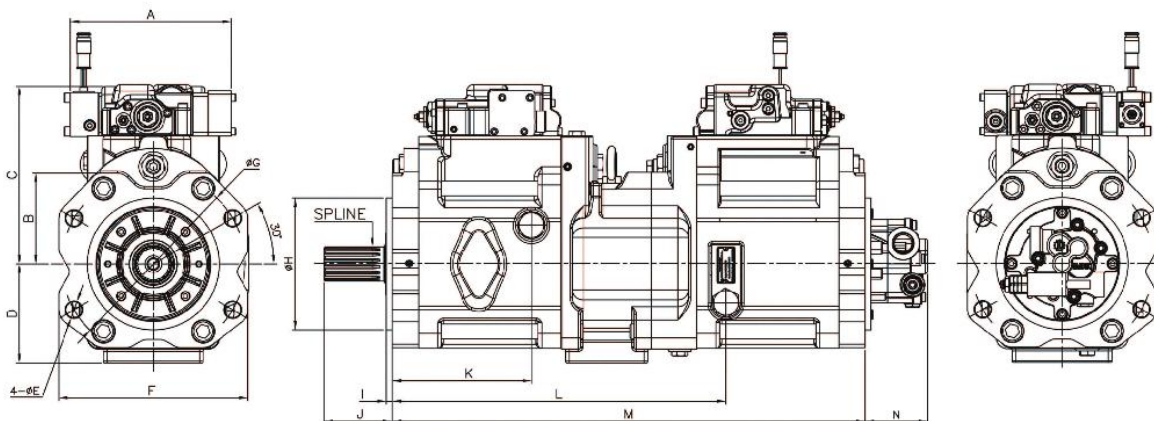
## SPECIFICATIONS (FOR 9N00 / 9P00 TYPE)

MODEL	H3V180DTH/H5V200DTH	H3V280DTH
Discharge Rate (cc/rev)	180 / 200	280
Max. Pressure (kg/cm <sup>2</sup> )	350	
Max. Speed (rpm)	2150	1900



## Dimensions of Shaft End(Spline Type)

MODEL	No. of teeth	Pitch Circle Dia(mm)	Module	Pressure Angle	Standard
H3V180DTH	17	42.5	2.5	20°	JIS B 1603 : 1995
H5V200DTH					
H3V280DTH	18	54	3	20°	JIS B 1603 : 1995



## DIMENSIONS

(mm)

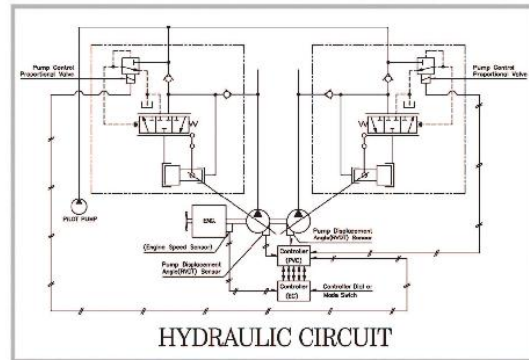
MODEL	A	B	C	D	E	F	G	H	I	J	K	L	M	N
H3V180DTH	219.6	127	245	135	22	256	250	180	8	190	456	93	646	96
H5V200DTH														
H3V280DTH		143	271	150	26	300	300	200	9	115	617	115	783	104

# H3V/H5V DTH SERIES SWASH PLATE TYPE DOUBLE PISTON PUMPS



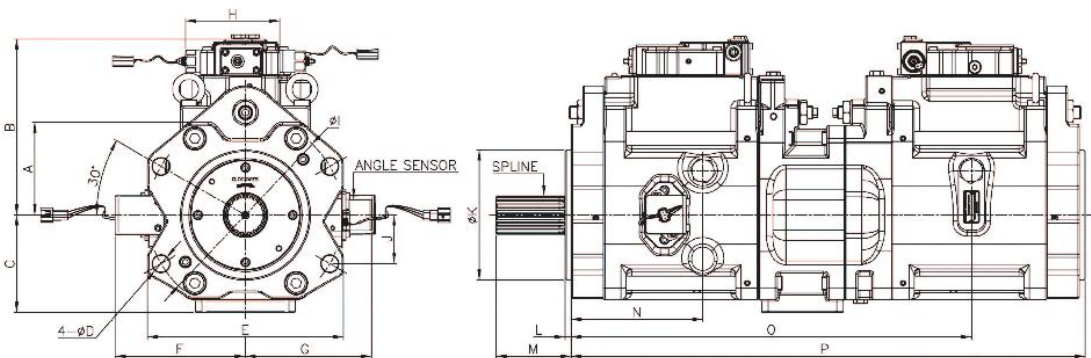
## SPECIFICATIONS (FOR OE01-NORMAL & HITACHI)

MODEL	H3V180DTH/H5V200DTH	H3V280DTH
Discharge Rate (cc/rev)	180 / 200	280
Max. Pressure (kg/cm <sup>2</sup> )	350	
Max. Speed (rpm)	2150	1900



## Dimensions of Shaft End (Spline Type)

MODEL	No. of teeth	Pitch Circle Dia(mm)	Module	Pressure Angle	Standard
H3V180DTH (EX400&450)	17	42.5	2.5	20°	JIS B 1603 : 1995
H3V280DTH (EX750&800)	18	54	3	20°	JIS B 1603 : 1995



## DIMENSIONS

(mm)

MODEL	A	B	C	D	E	F	G	H	I	J	K	L	M	N	O	P
H3V180DTH (EX400&450)	127	231	135	22	258	176	231	145.2	250	62.5	180	8	93	190	420	610
H3V280DTH (EX750&800)	143	271	150	26	302	201	194		300	75	200	9	115	203	617	748



