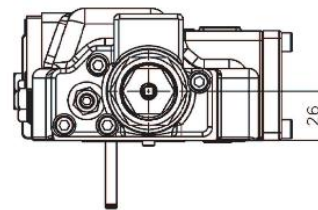
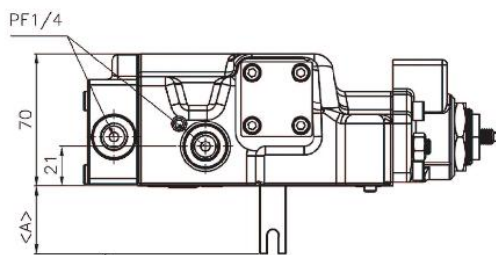
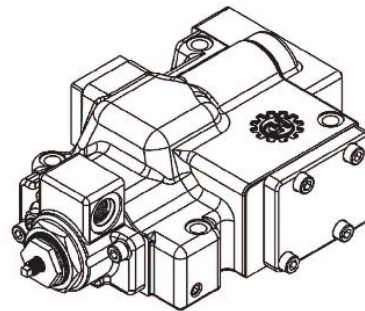
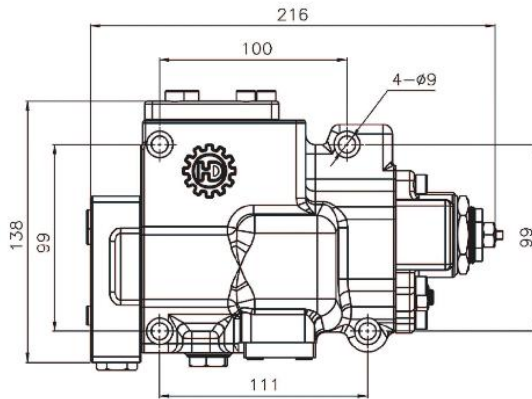
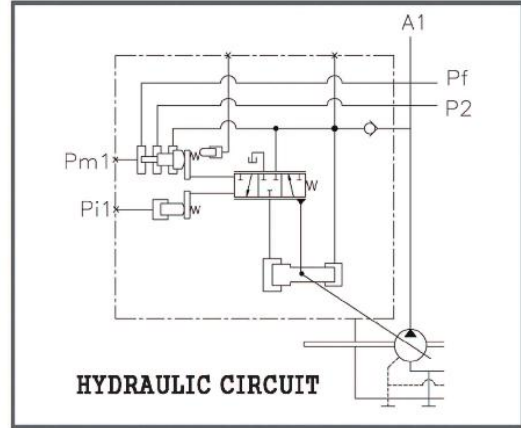


REGULATOR FOR 1P00 TYPE

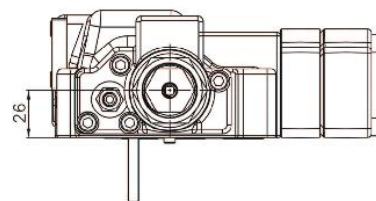
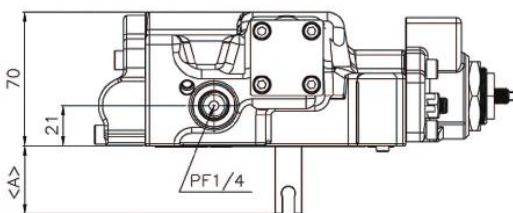
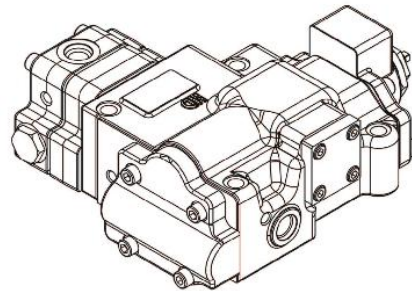
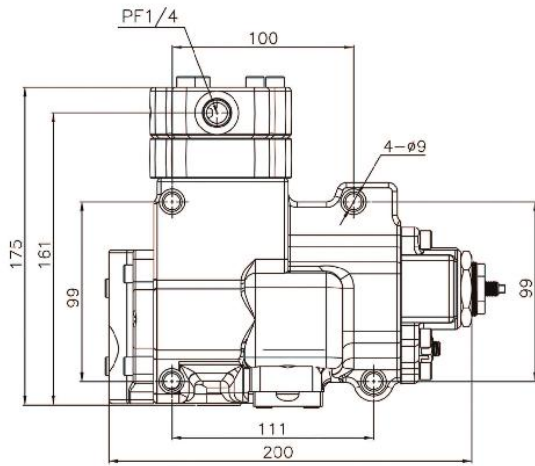
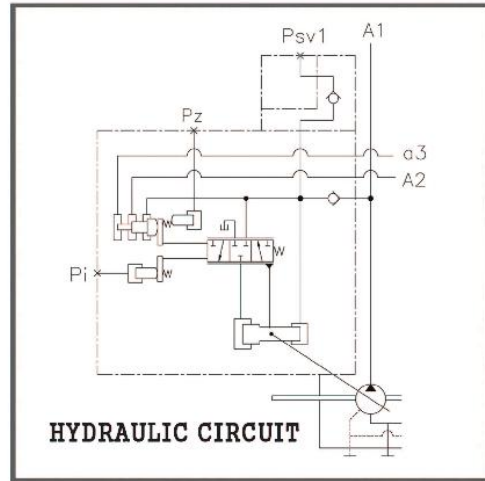


● STANDARD DIMENSIONS

(mm)

MODEL	A	MODEL	A
H3V63	22	H5V80	40.5
H3V112	36	H5V140	48
H3V140&180	57	H3V280	75.7
H5V160 & 200	66	H5V160DPH & 200DPH	

REGULATOR FOR 2P00 TYPE



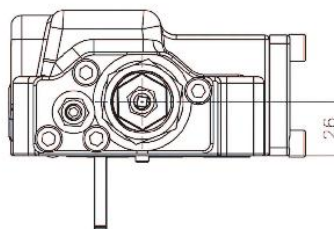
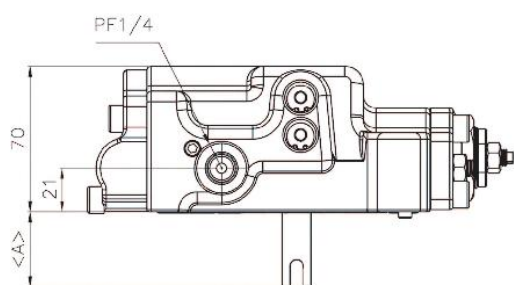
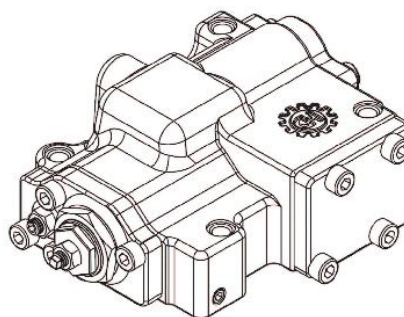
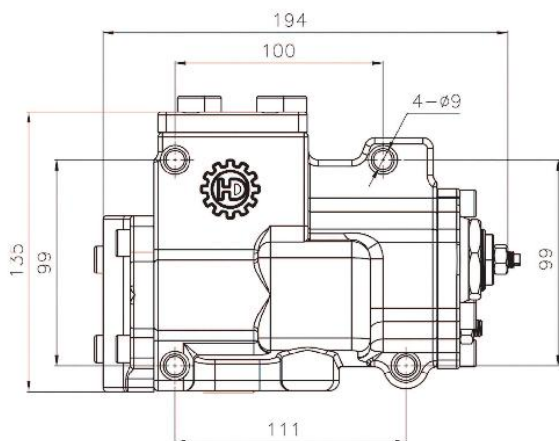
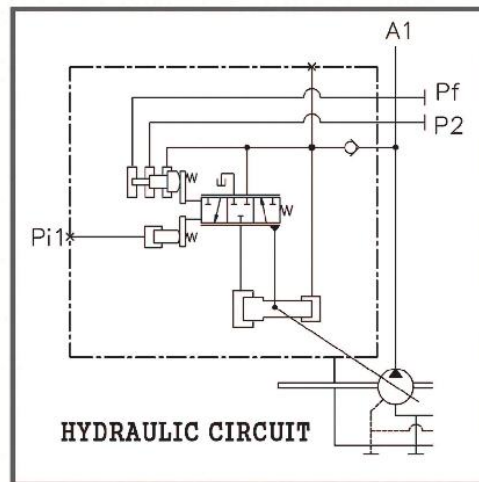
● STANDARD DIMENSIONS

(mm)

MODEL	A
H3V63	22
H3V112	36
H3V140&180	57
H5V160 & 200	66

MODEL	A
H5V80	40.5
H5V140	48
H3V280	75.7
H5V160DPH & 200DPH	

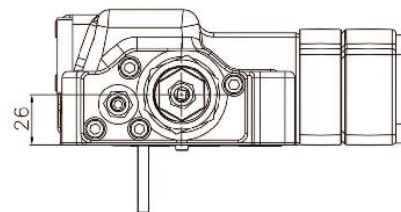
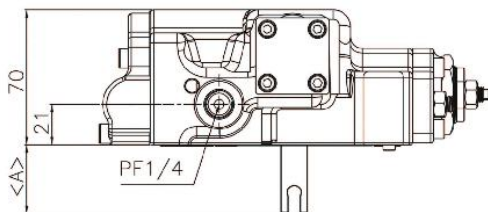
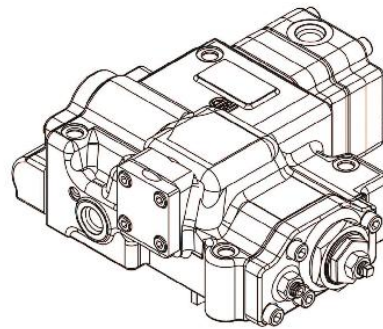
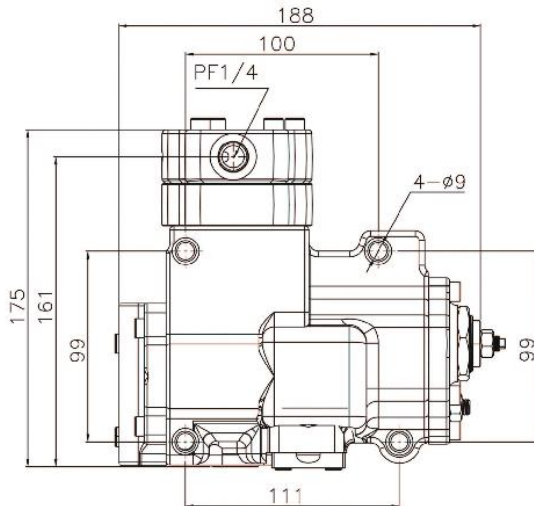
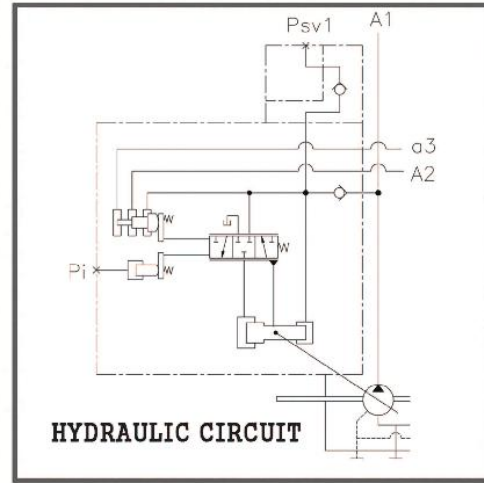
REGULATOR FOR 9N00 TYPE



STANDARD DIMENSIONS (mm)

MODEL	A	MODEL	A
H3V63	22	H5V80	40.5
H3V112	36	H5V140	48
H3V140&180	57	H3V280	75.7
H5V160 & 200	66	H5V160DPH & 200DPH	

REGULATOR FOR 9N00 TYPE WITH MANIFOLD(BOLT)

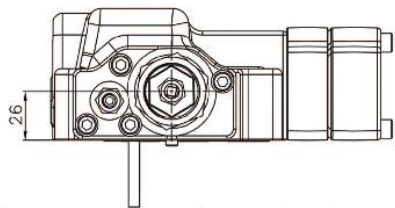
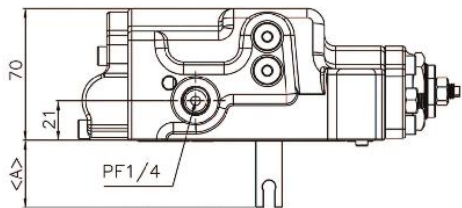
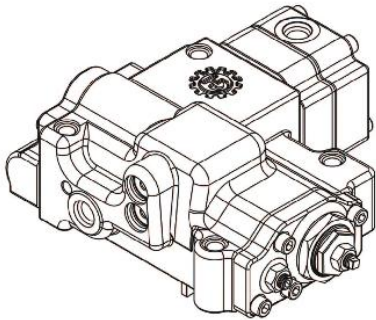
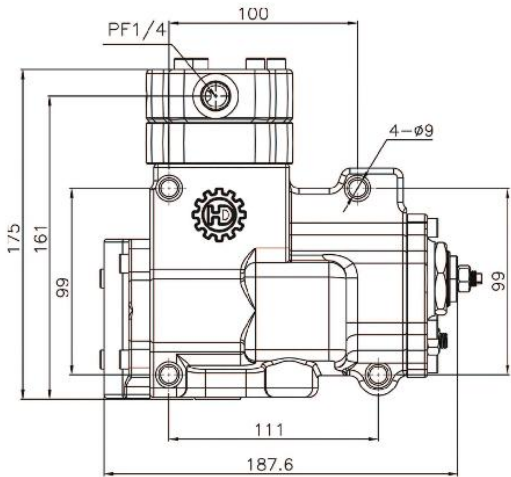
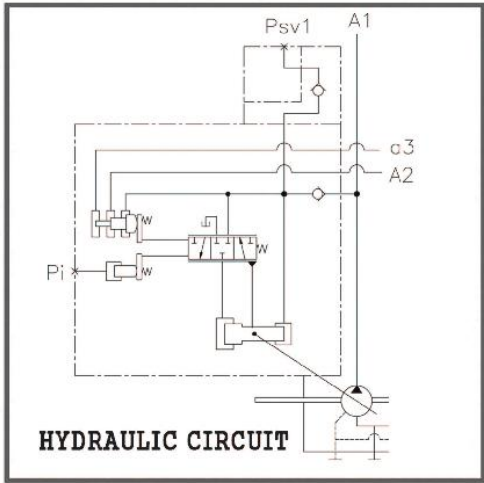


STANDARD DIMENSIONS (mm)

MODEL	A
H3V63	22
H3V112	36
H3V140&180	57
H5V160 & 200	66

MODEL	A
H5V80	40.5
H5V140	48
H3V280	75.7
H5V160DPH & 200DPH	

REGULATOR FOR 9N00 TYPE WITH MANIFOLD

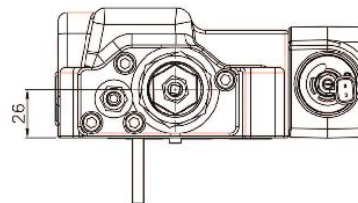
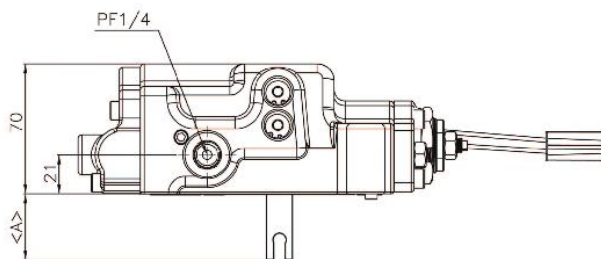
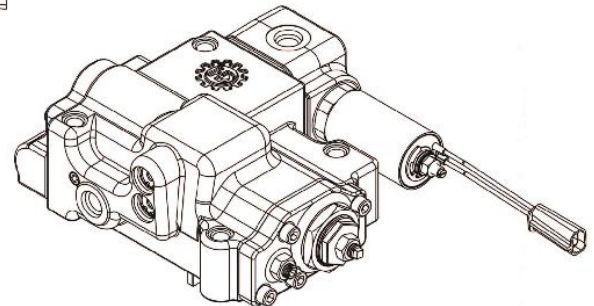
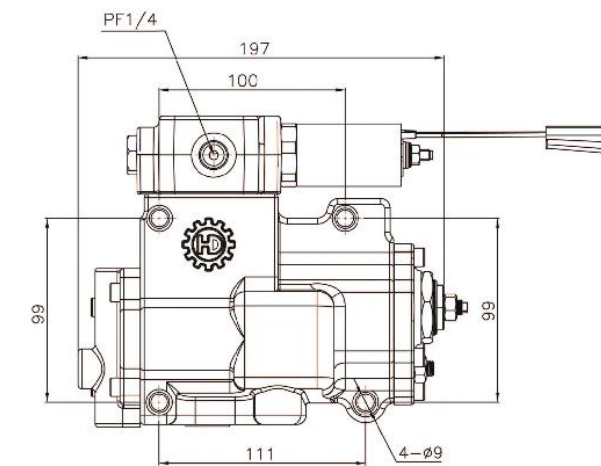
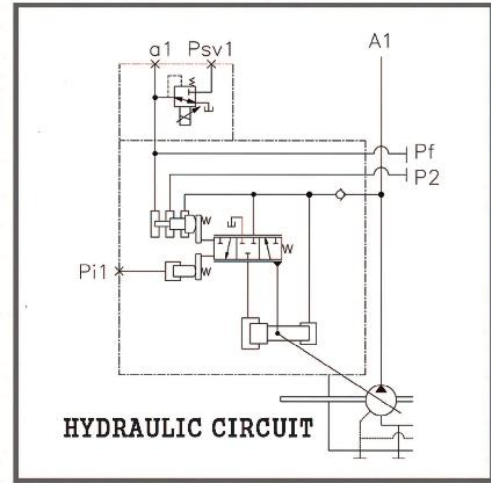


STANDARD DIMENSIONS

(mm)

MODEL	A	MODEL	A
H3V63	22	H5V80	40.5
H3V112	36	H5V140	48
H3V140&180	57	H3V280	75.7
H5V160 & 200	66	H5V160DPH & 200DPH	

REGULATOR FOR 9N00 TYPE WITH EPR

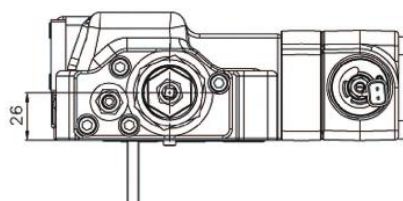
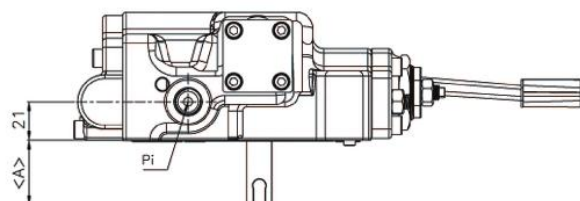
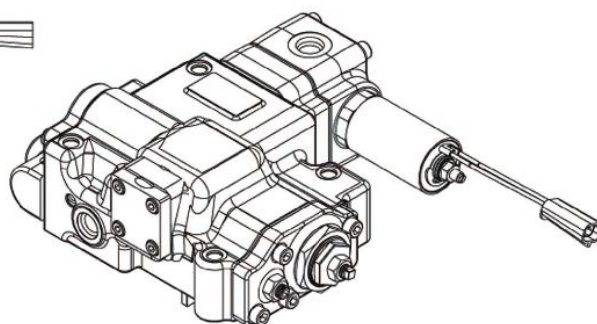
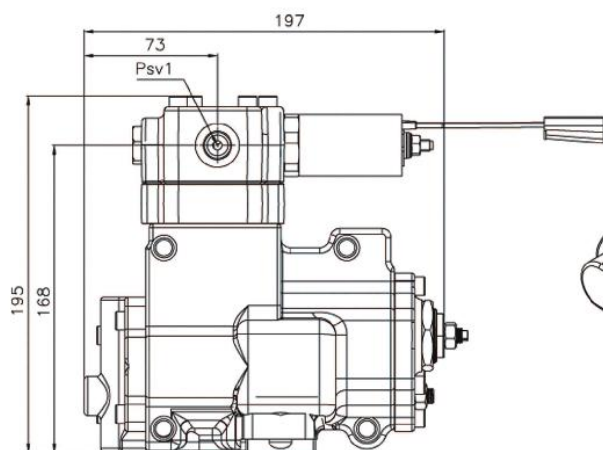
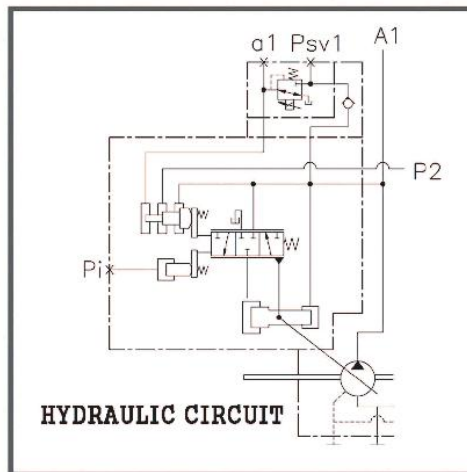


● STANDARD DIMENSIONS

(mm)

MODEL	A	MODEL	A
H3V63	22	H5V80	40.5
H3V112	36	H5V140	48
H3V140&180	57	H3V280	75.7
H5V160 & 200	66	H5V160DPH & 200DPH	75.7

REGULATOR FOR 9N00 TYPE WITH EPR(DTH)

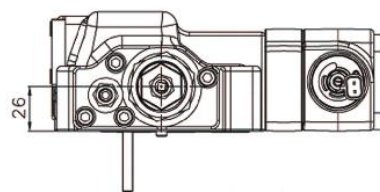
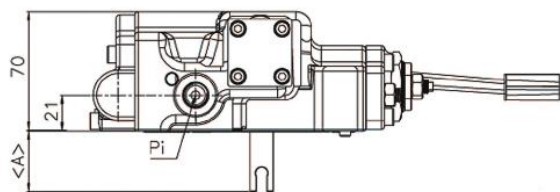
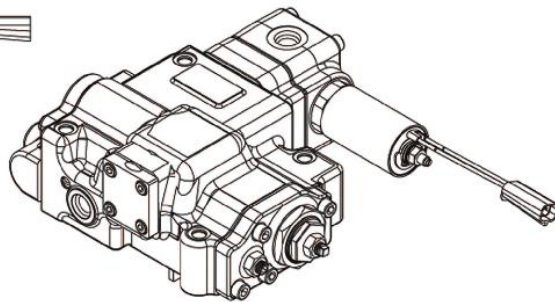
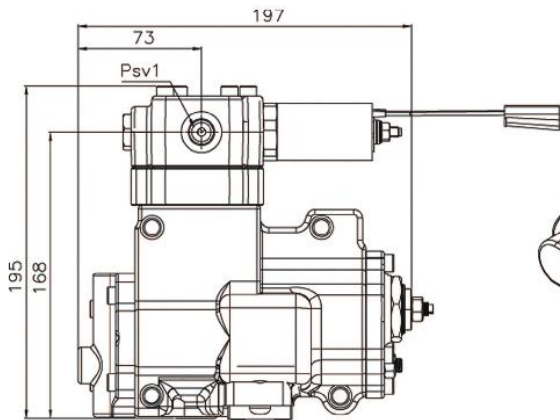
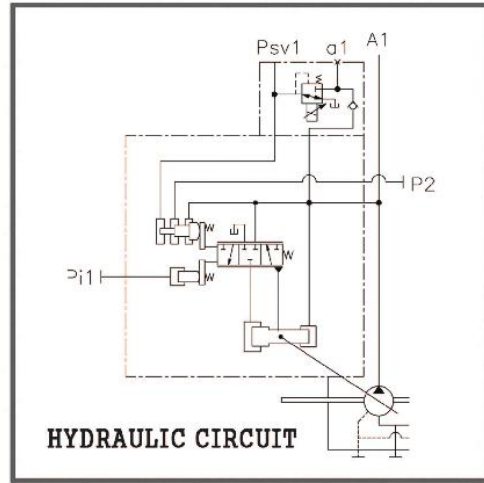
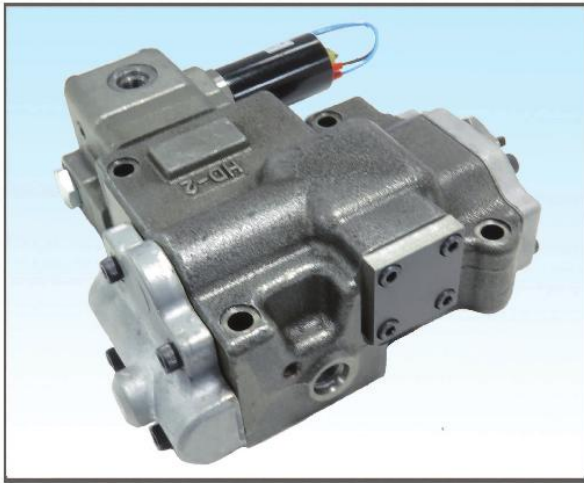


STANDARD DIMENSIONS (mm)

MODEL	A
H3V63	22
H3V112	36
H3V140&180	57
H5V160 & 200	66

MODEL	A
H5V80	40,5
H5V140	48
H3V280	75,7
H5V160DPH & 200DPH	

REGULATOR FOR 9N00 TYPE WITH EPR(4BOLT-DTH TYPE)



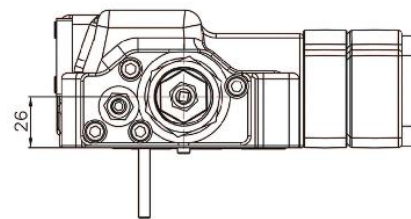
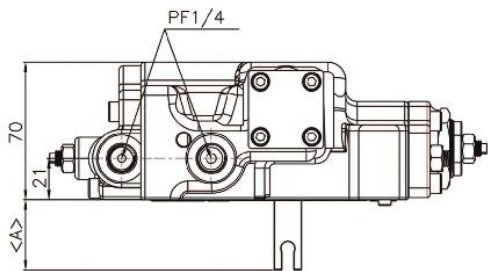
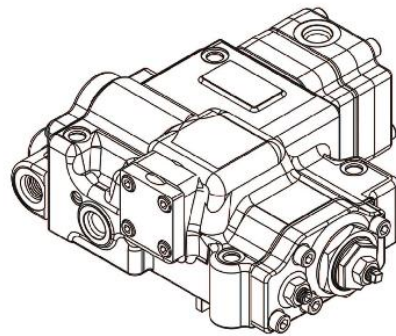
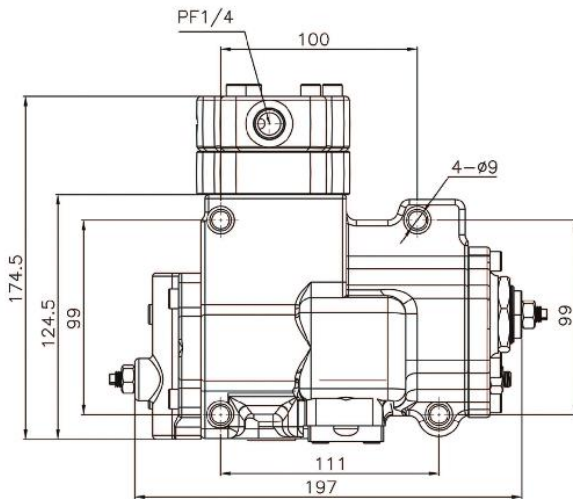
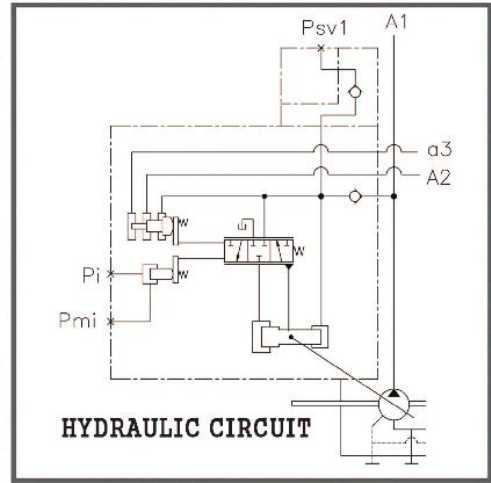
STANDARD DIMENSIONS

(mm)

MODEL	A
H3V63	22
H3V112	36
H3V140&180	57
H5V160 & 200	66

MODEL	A
H5V80	40.5
H5V140	48
H3V280	75.7
H5V160DPH & 200DPH	

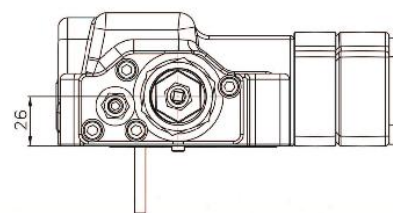
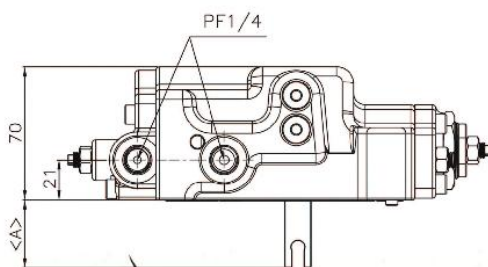
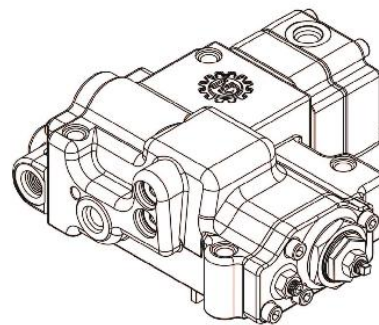
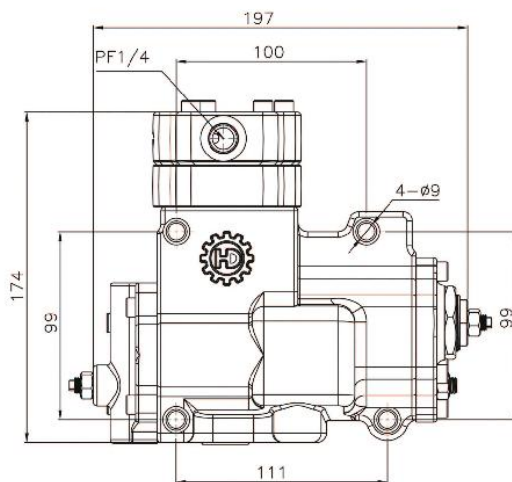
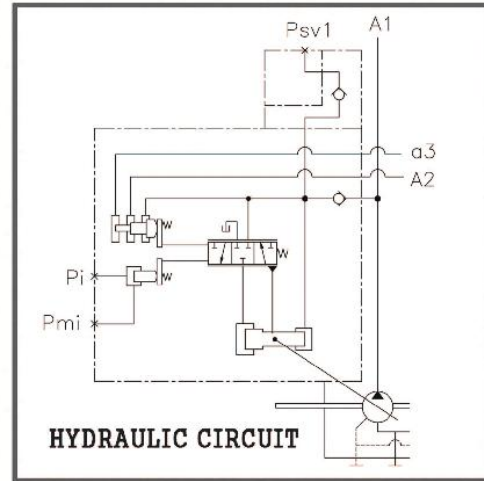
REGULATOR FOR 9C00 TYPE WITH MANIFOLD(BOLT)



STANDARD DIMENSIONS (mm)

MODEL	A	MODEL	A
H3V63	22	H5V80	40.5
H3V112	36	H5V140	48
H3V140&180	57	H3V280	75.7
H5V160 & 200	66	H5V160DPH & 200DPH	

REGULATOR FOR 9C00 TYPE WITH MANIFOLD



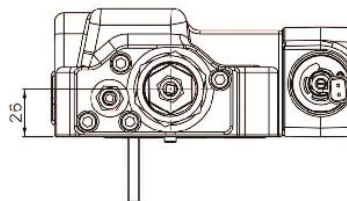
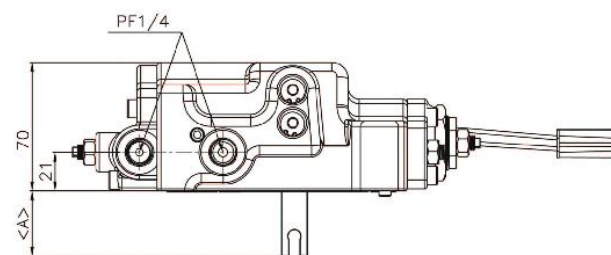
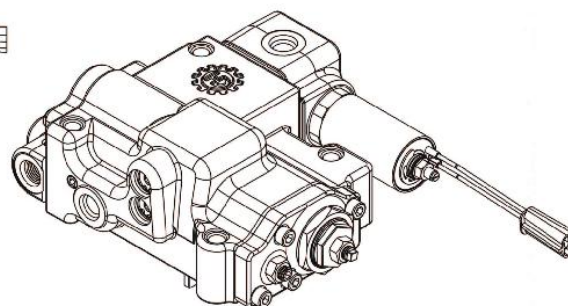
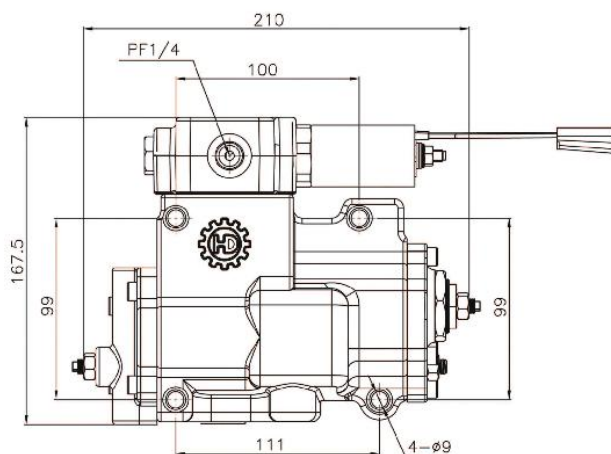
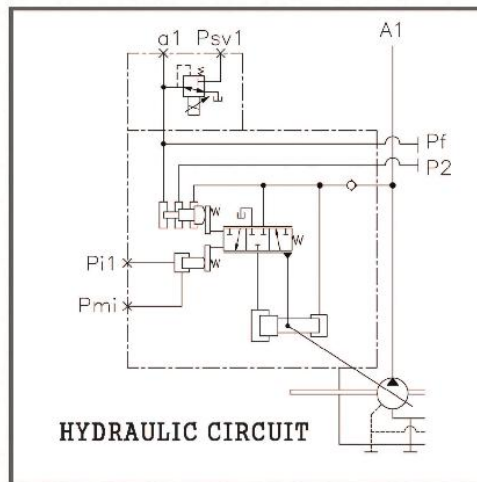
● STANDARD DIMENSIONS

(mm)

MODEL	A
H3V63	22
H3V112	36
H3V140&180	57
H5V160 & 200	66

MODEL	A
H5V80	40.5
H5V140	48
H3V280	75.7
H5V160DPH & 200DPH	

REGULATOR FOR 9C00 TYPE WITH EPR



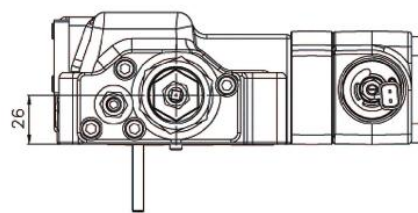
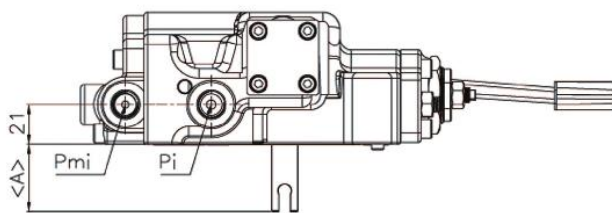
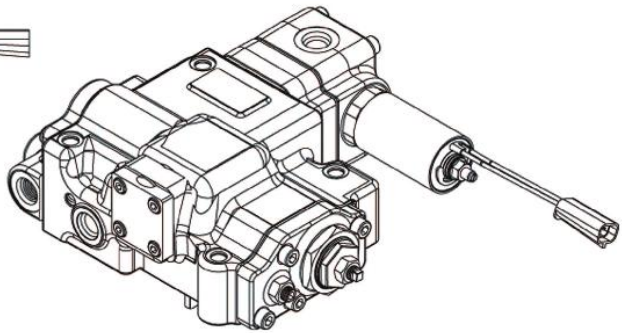
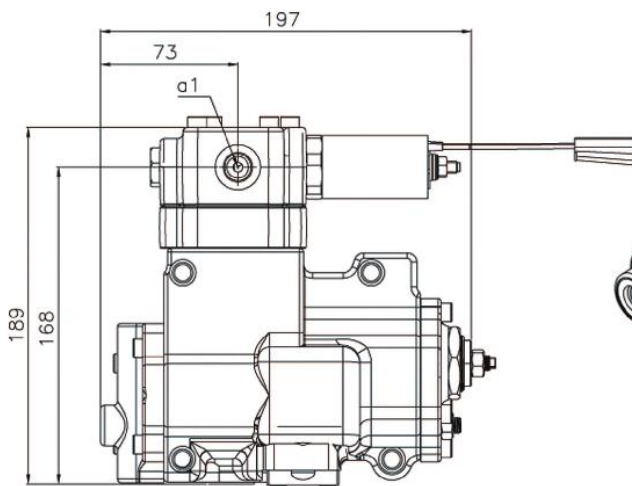
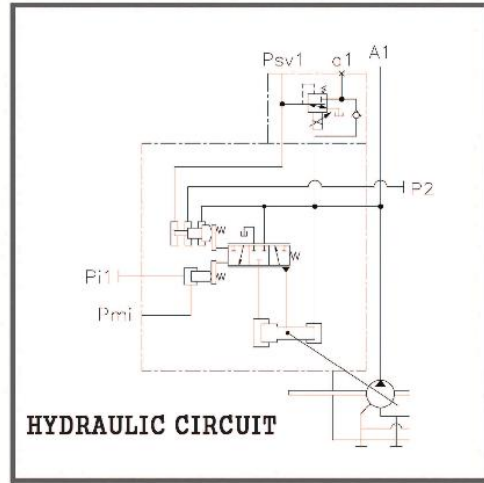
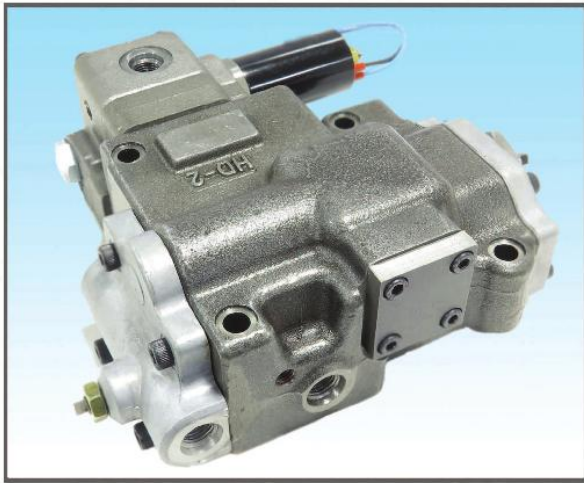
STANDARD DIMENSIONS

(mm)

MODEL	A
H3V63	22
H3V112	36
H3V140&180	57
H5V160 & 200	66

MODEL	A
H5V80	40.5
H5V140	48
H3V280	75.7
H5V160DPH & 200DPH	

REGULATOR FOR 9C00 TYPE WITH EPR(4BOLT-DTH TYPE)

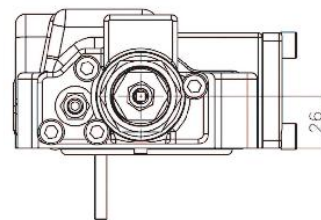
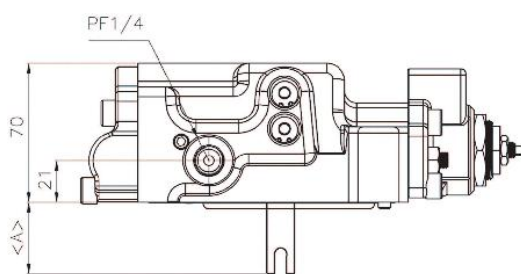
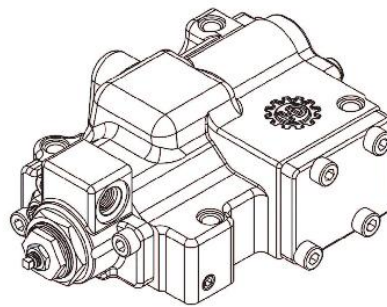
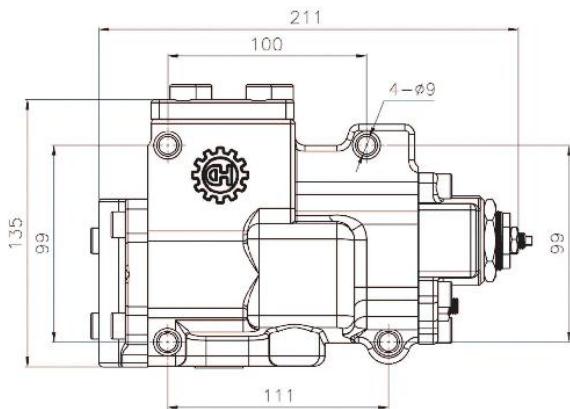
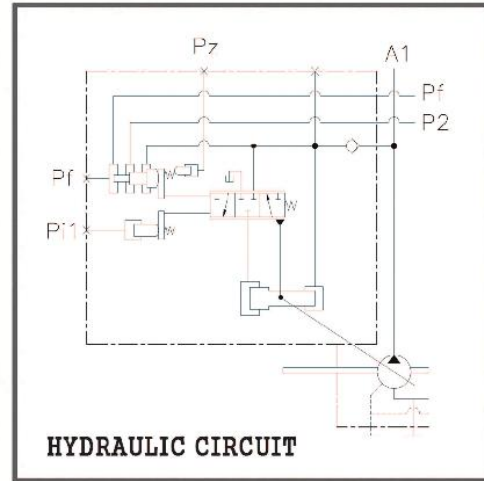


● STANDARD DIMENSIONS

(mm)

MODEL	A	MODEL	A
H3V63	22	H5V80	40.5
H3V112	36	H5V140	48
H3V140&180	57	H3V280	75.7
H5V160 & 200	66	H5V160DPH & 200DPH	

REGULATOR FOR HN00 TYPE



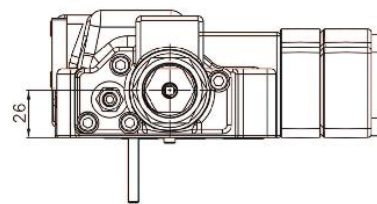
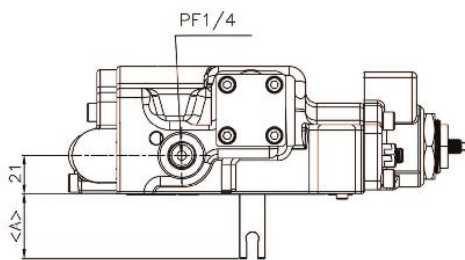
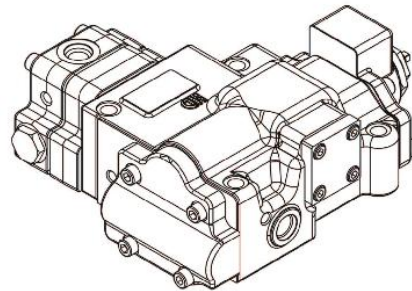
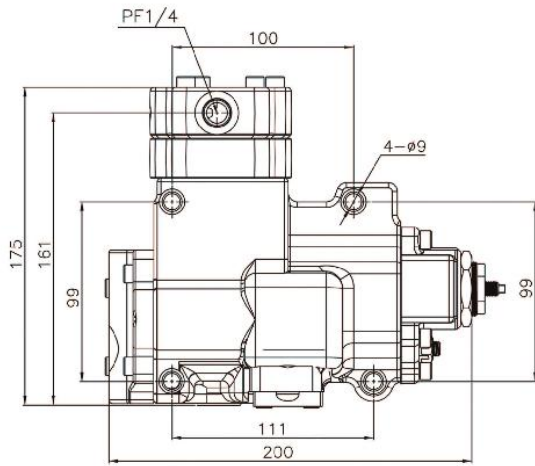
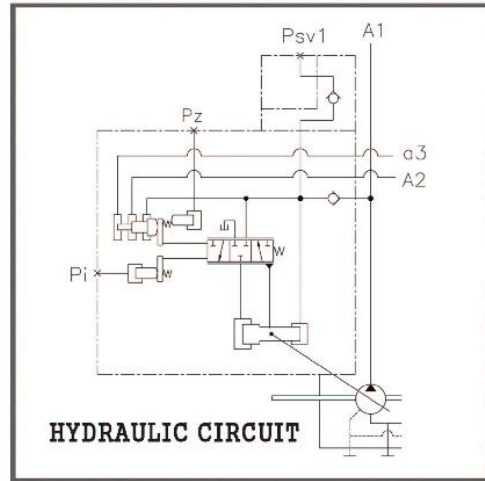
STANDARD DIMENSIONS

(mm)

MODEL	A
H3V63	22
H3V112	36
H3V140&180	57
H5V160 & 200	66

MODEL	A
H5V80	40.5
H5V140	48
H3V280	75.7
H5V160DPH & 200DPH	

REGULATOR FOR HN00 TYPE WITH MANIFOLD(BOLT)



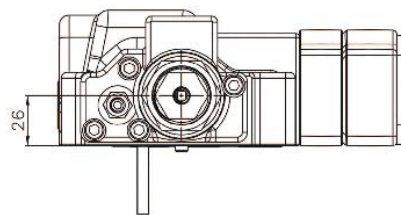
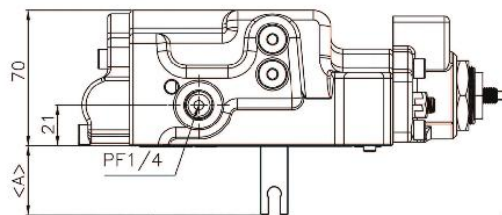
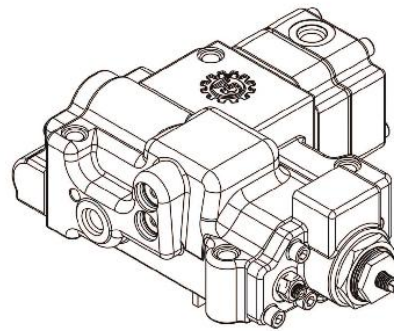
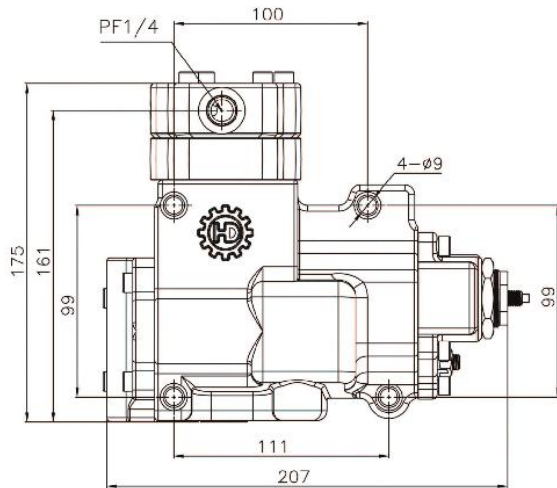
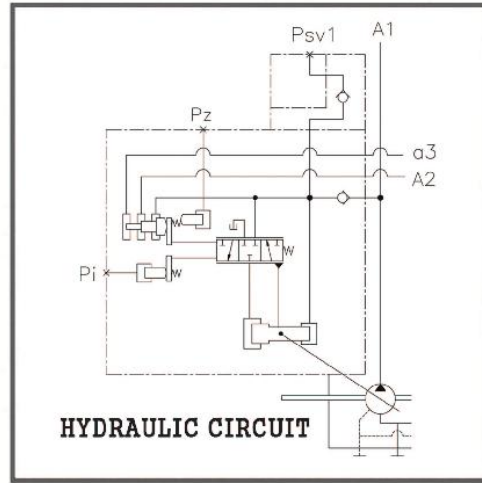
● STANDARD DIMENSIONS

(mm)

MODEL	A
H3V63	22
H3V112	36
H3V140&180	57
H5V160 & 200	66

MODEL	A
H5V80	40.5
H5V140	48
H3V280	75.7
H5V160DPH & 200DPH	

REGULATOR FOR HN00 TYPE WITH MANIFOLD

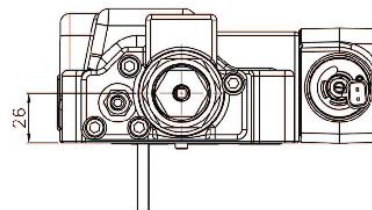
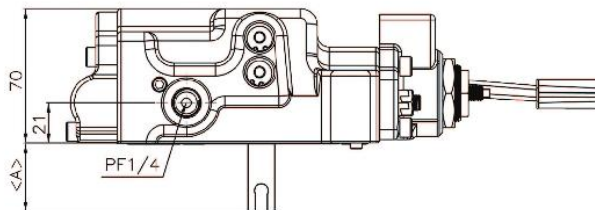
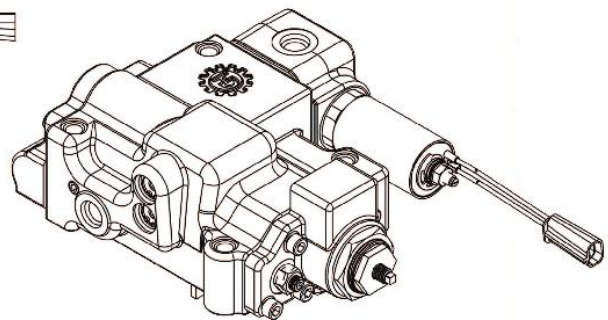
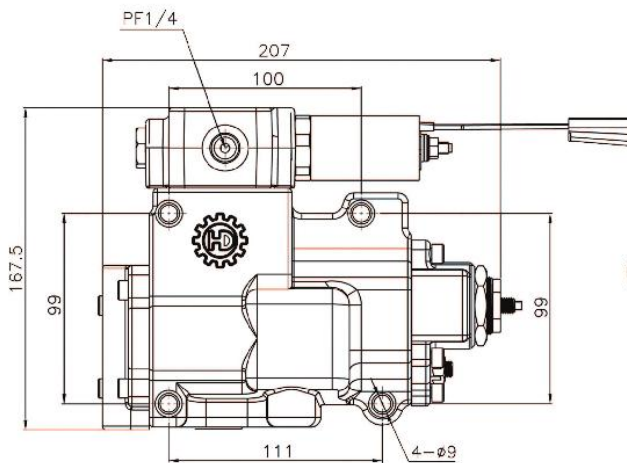
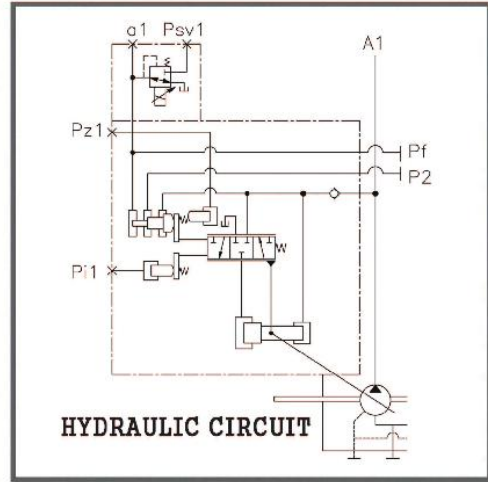


STANDARD DIMENSIONS

(mm)

MODEL	A	MODEL	A
H3V63	22	H5V80	40.5
H3V112	36	H5V140	48
H3V140&180	57	H3V280	75.7
H5V160 & 200	66	H5V160DPH & 200DPH	

REGULATOR FOR HN00 TYPE WITH EPR



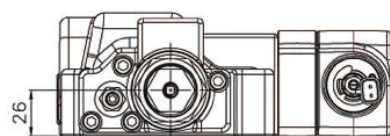
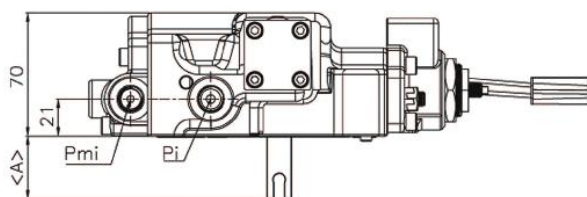
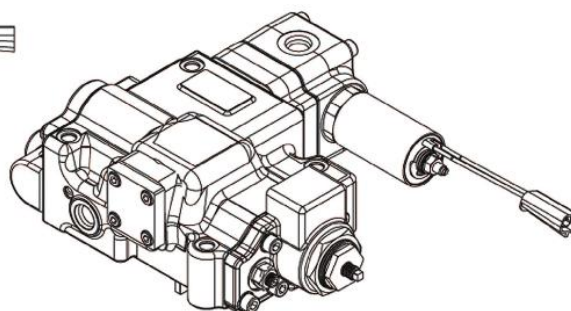
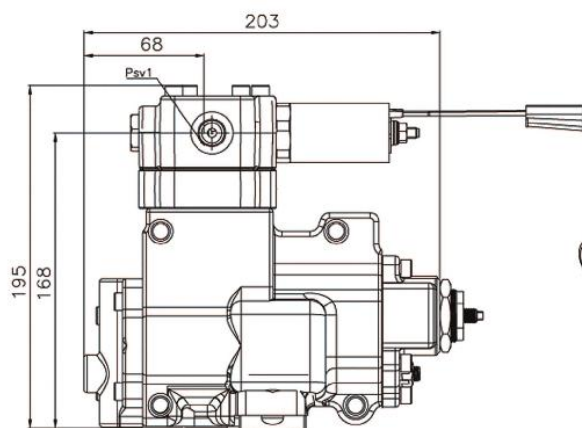
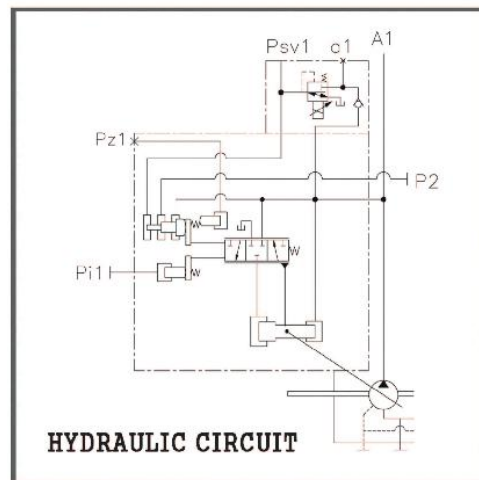
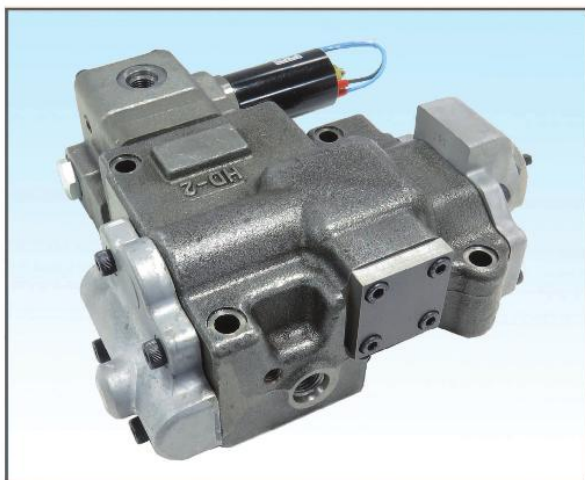
STANDARD DIMENSIONS

(mm)

MODEL	A
H3V63	22
H3V112	36
H3V140&180	57
H5V160 & 200	66

MODEL	A
H5V80	40.5
H5V140	48
H3V280	75.7
H5V160DPH & 200DPH	

REGULATOR FOR HN00 TYPE WITH EPR(4BOLT-DTH)



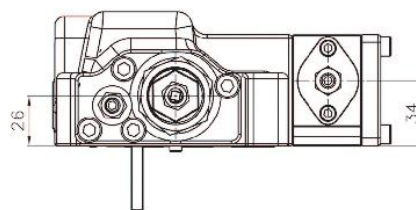
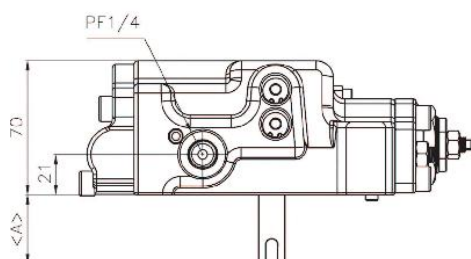
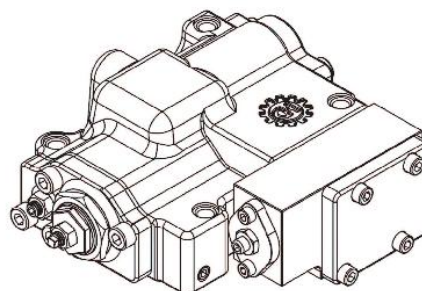
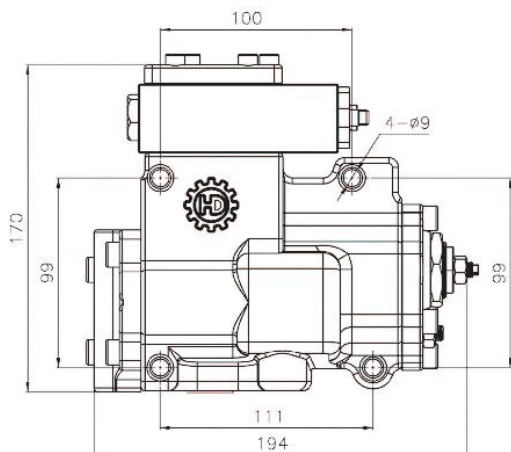
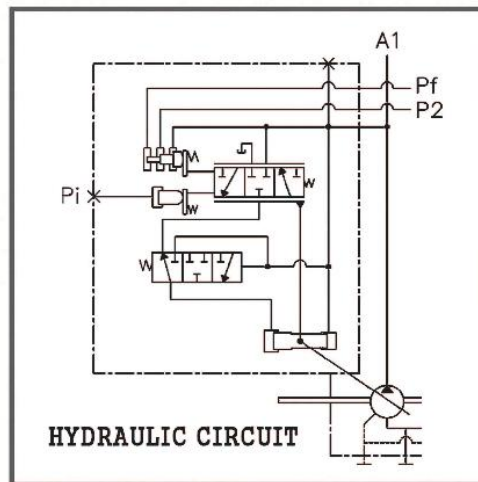
● STANDARD DIMENSIONS

(mm)

MODEL	A
H3V63	22
H3V112	36
H3V140&180	57
H5V160 & 200	66

MODEL	A
H5V80	40.5
H5V140	48
H3V280	75.7
H5V160DPH & 200DPH	

REGULATOR FOR 5N00/6N00 TYPE



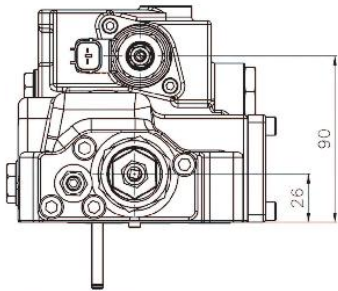
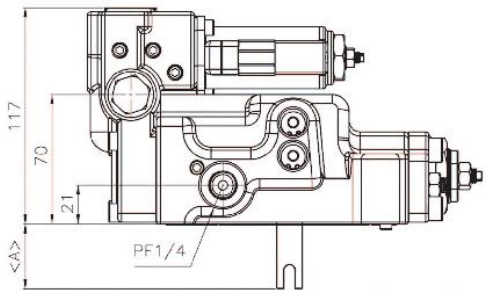
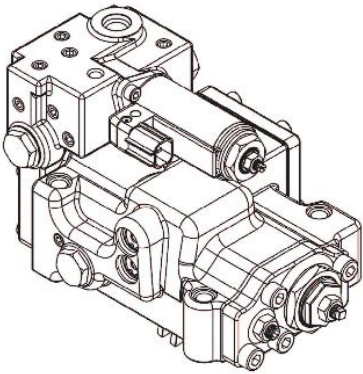
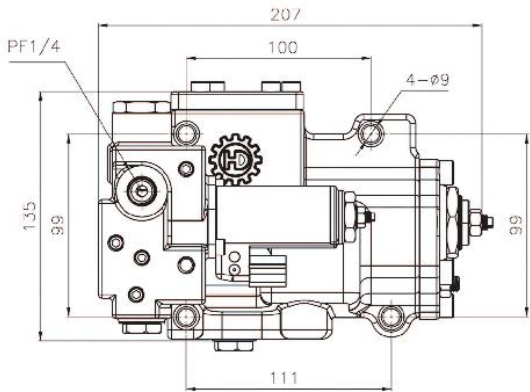
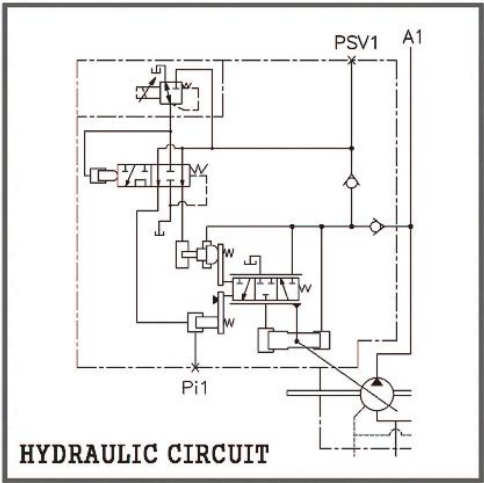
● STANDARD DIMENSIONS

(mm)

MODEL	A
H3V63	22
H3V112	36
H3V140&180	57
H5V160 & 200	66

MODEL	A
H5V80	40.5
H5V140	48
H3V280	75.7
H5V160DPH & 200DPH	

REGULATOR FOR YT2K TYPE



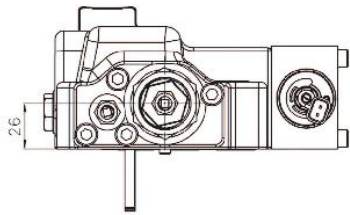
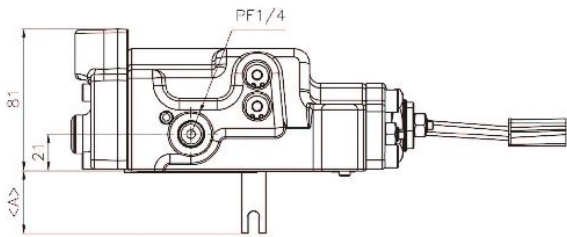
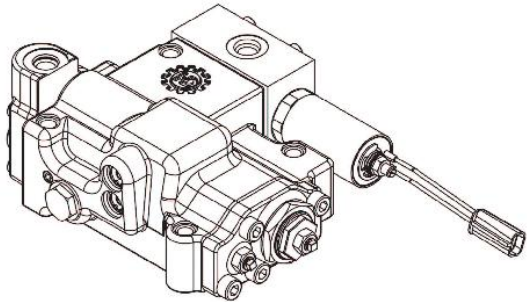
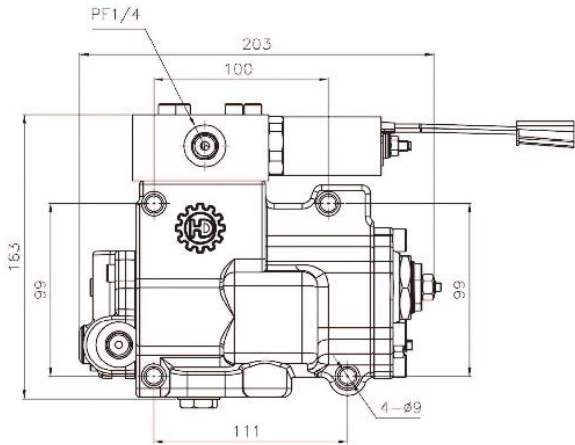
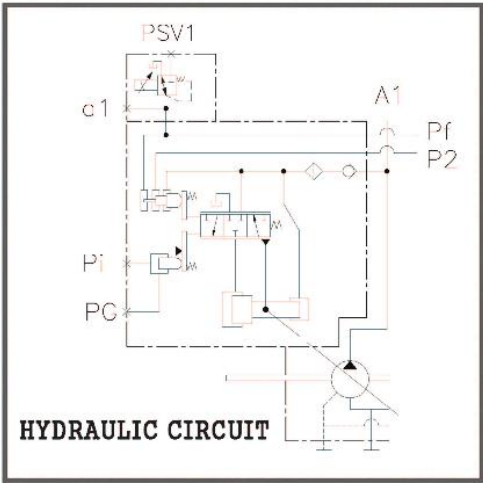
● STANDARD DIMENSIONS

(mm)

MODEL	A
H3V63	22
H3V112	36
H3V140&180	57
H5V160 & 200	66

MODEL	A
H5V80	40.5
H5V140	48
H3V280	75.7
H5V160DPH & 200DPH	

REGULATOR FOR 9POF TYPE

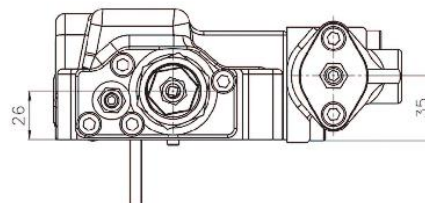
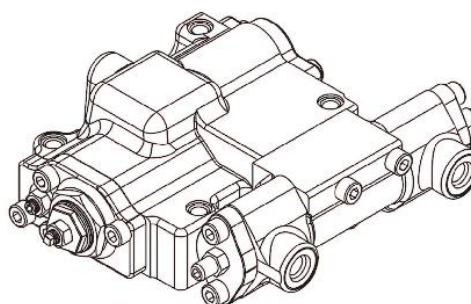
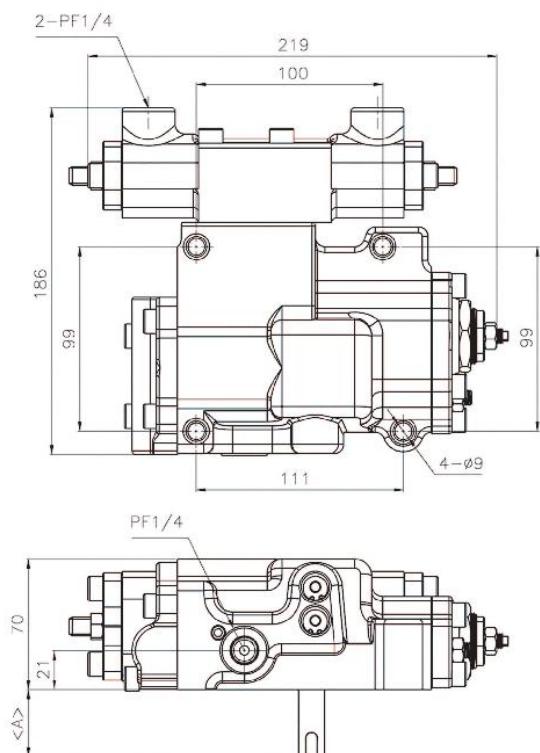
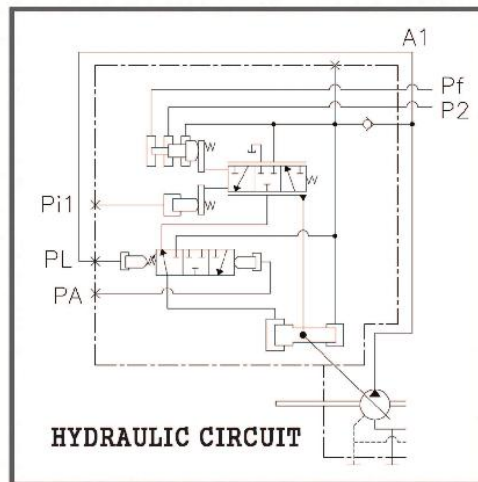


● STANDARD DIMENSIONS

(mm)

MODEL	A	MODEL	A
H3V63	22	H5V80	40.5
H3V112	36	H5V140	48
H3V140&180	57	H3V280	75.7
H5V160 & 200	66	H5V160DPH & 200DPH	

REGULATOR FOR 9L00 TYPE

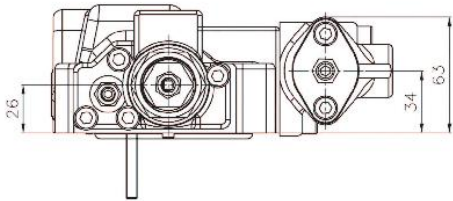
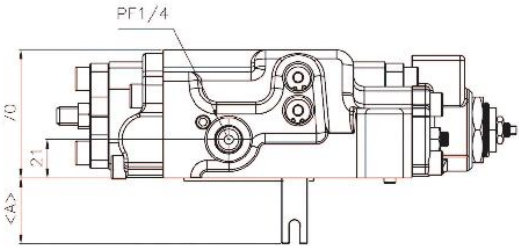
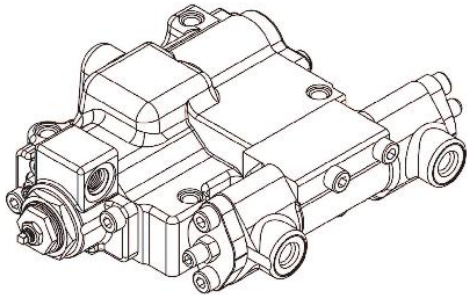
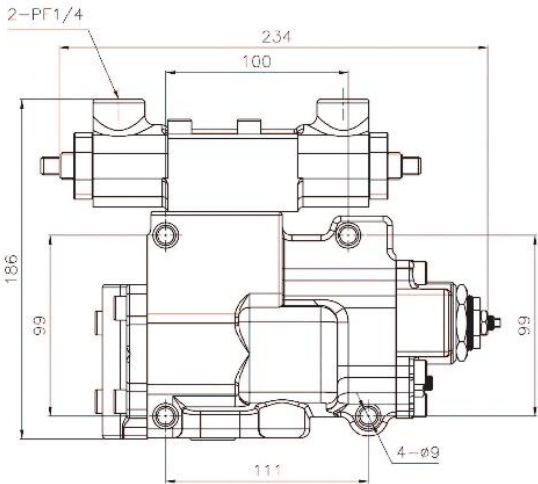
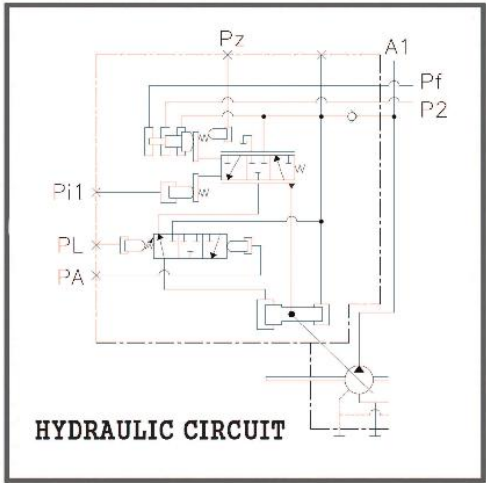


STANDARD DIMENSIONS

(mm)

MODEL	A	MODEL	A
H3V63	22	H5V80	40.5
H3V112	36	H5V140	48
H3V140&180	57	H3V280	75.7
H5V160 & 200	66	H5V160DPH & 200DPH	

REGULATOR FOR HLOP TYPE



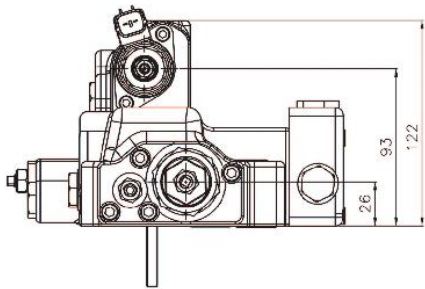
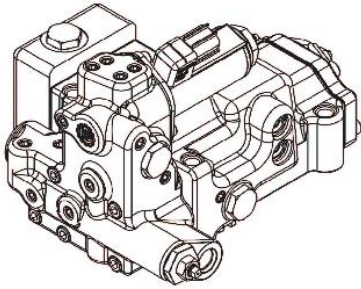
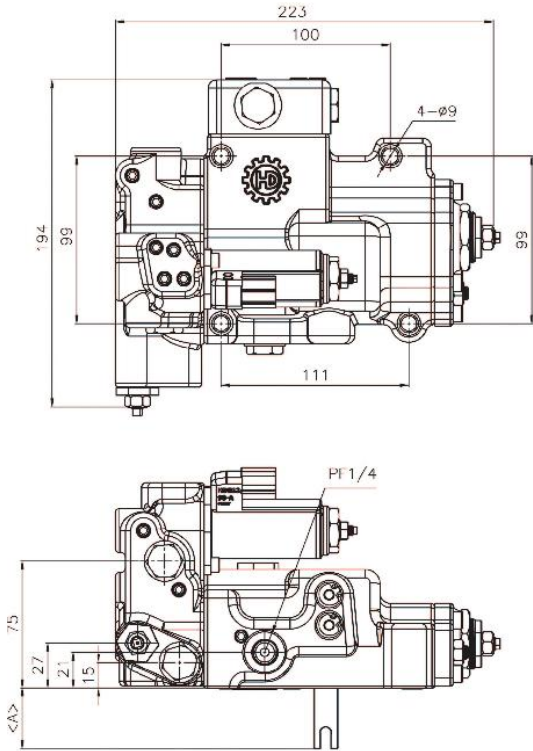
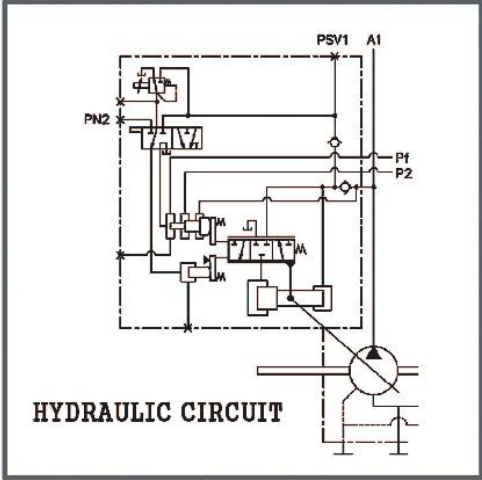
● STANDARD DIMENSIONS

(mm)

MODEL	A
H3V63	22
H3V112	36
H3V140&180	57
H5V160 & 200	66

MODEL	A
H5V80	40.5
H5V140	48
H3V280	75.7
H5V160DPH & 200DPH	

REGULATOR FOR 9TIL TYPE

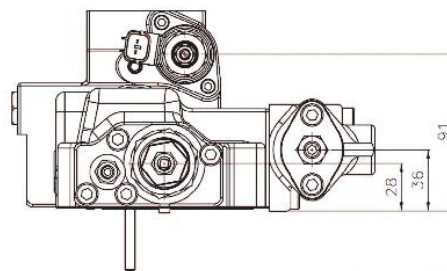
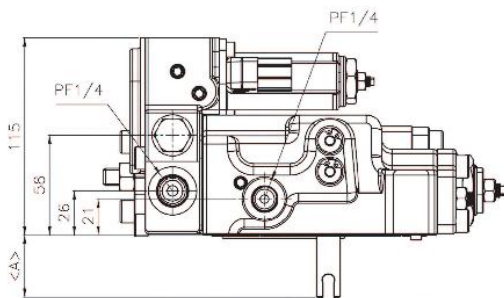
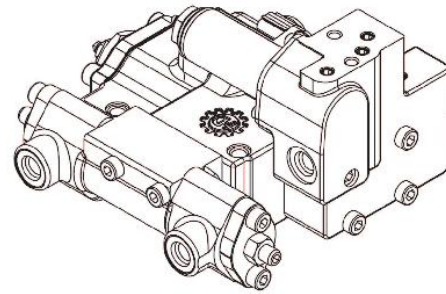
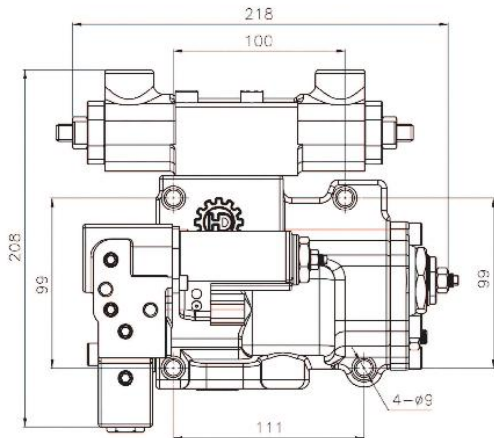
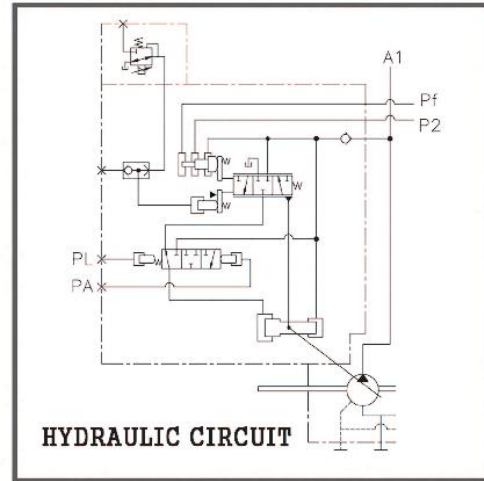
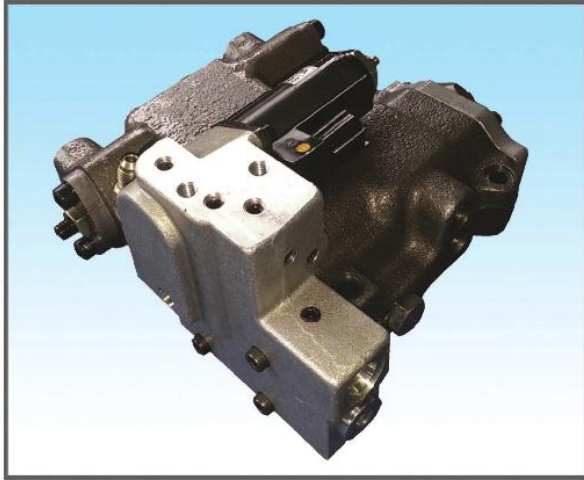


STANDARD DIMENSIONS

(mm)

MODEL	A	MODEL	A
H3V63	22	I15V80	40.5
H3V112	36	H5V140	48
H3V140&180	57	H3V280	75.7
H5V160 & 200	66	H5V160DPH & 200DPH	

REGULATOR TYPE FOR 9Y00 TYPE WITH LOAD SENSING

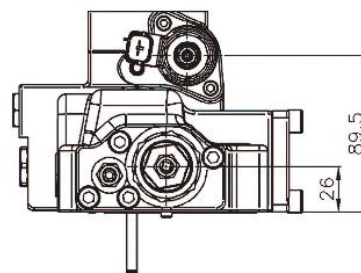
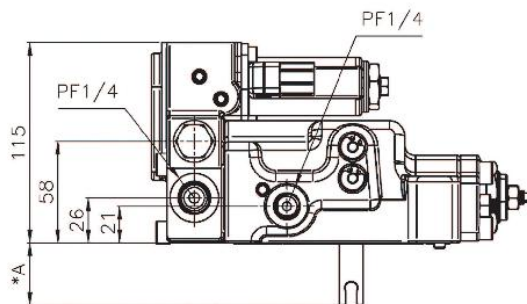
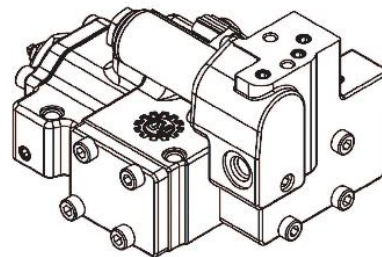
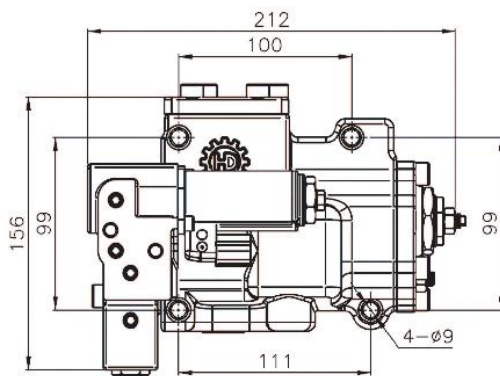
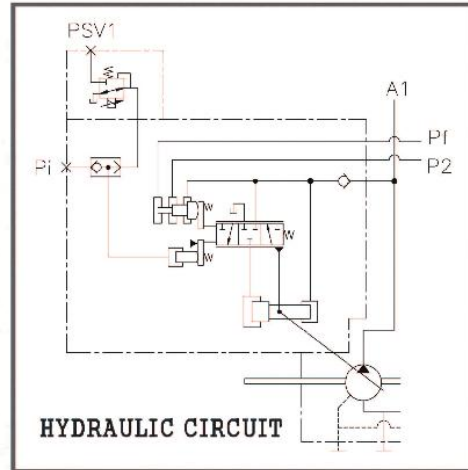
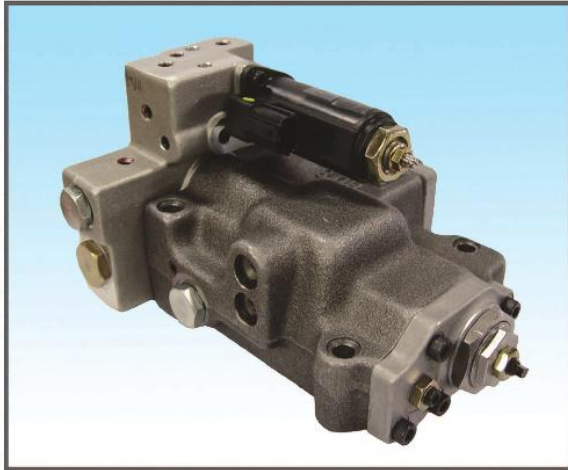


● STANDARD DIMENSIONS

(mm)

MODEL	A	MODEL	A
H3V63	22	H5V80	40.5
H3V112	36	H5V140	48
H3V140&180	57	H3V280	75.7
H5V160 & 200	66	H5V160DPH & 200DPH	

REGULATOR FOR 9Y00 TYPE(FRONT)



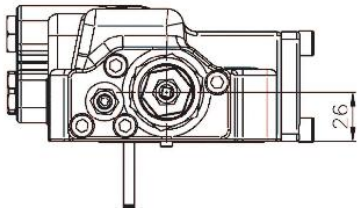
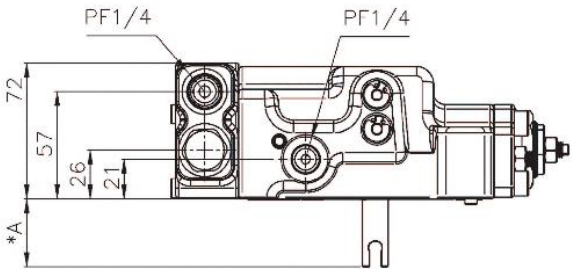
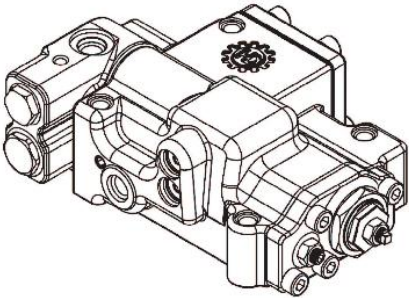
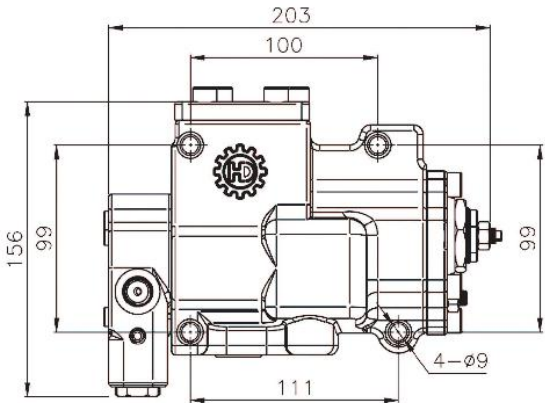
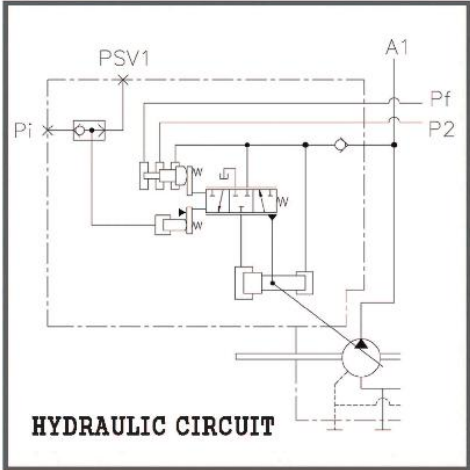
● STANDARD DIMENSIONS

(mm)

MODEL	A
H3V63	22
H3V112	36
H3V140&180	57
H5V160 & 200	66

MODEL	A
H5V80	40.5
H5V140	48
H3V280	75.7
H5V160DPH & 200DPH	

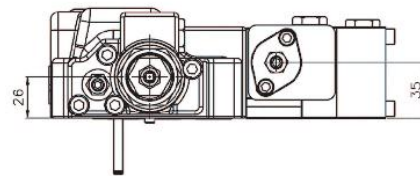
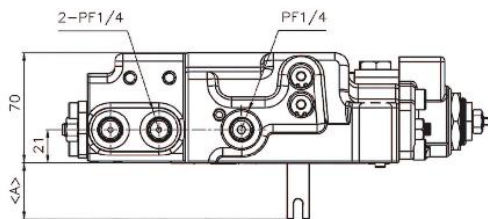
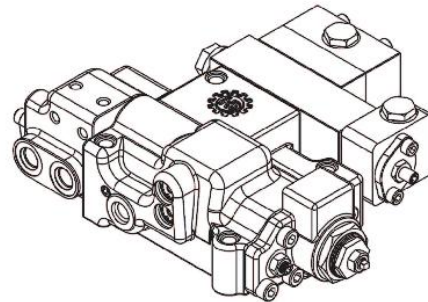
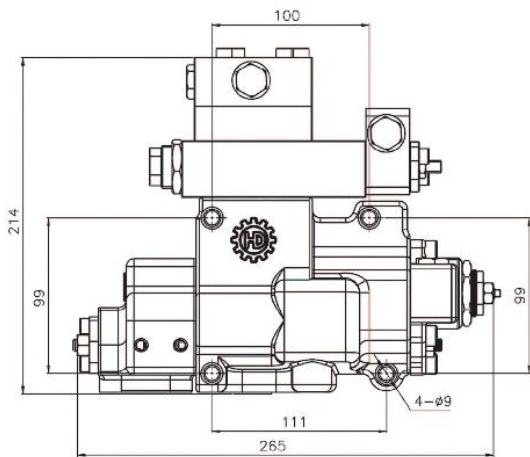
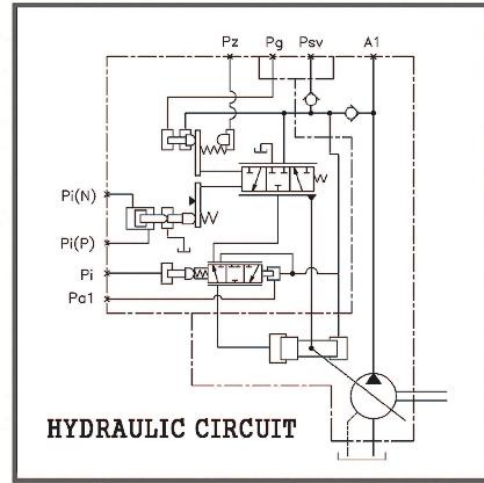
REGULATOR FOR 9Y00 TYPE (REAR)



STANDARD DIMENSIONS (mm)

MODEL	A	MODEL	A
H3V63	22	H5V80	40.5
H3V112	36	H5V140	48
H3V140&180	57	H3V280	75.7
H5V160 & 200	66	H5V160DPH & 200DPH	

REGULATOR FOR SK3D TYPE



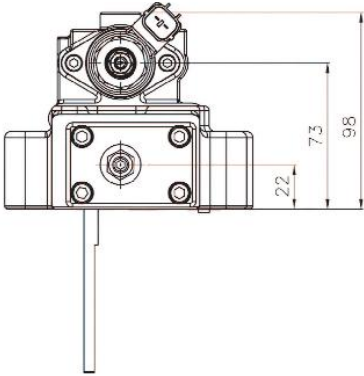
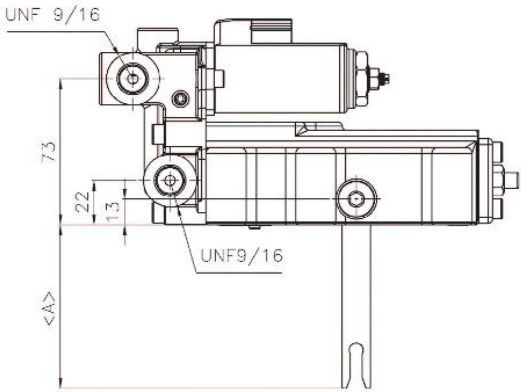
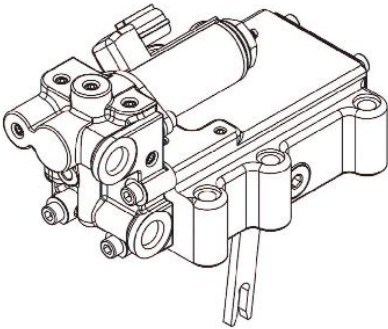
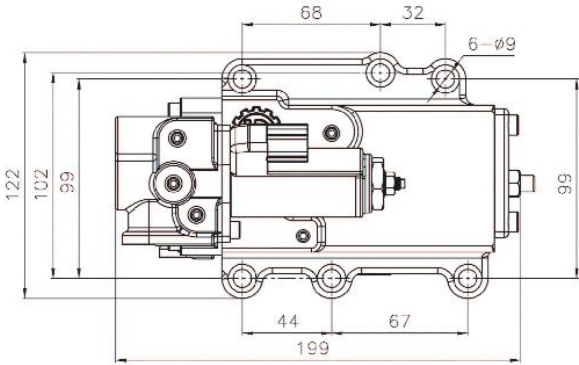
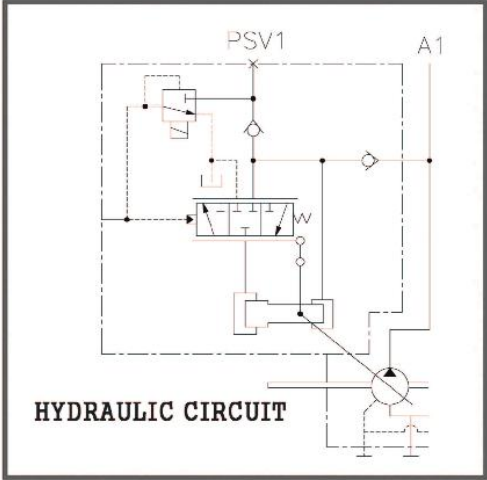
STANDARD DIMENSIONS

(mm)

MODEL	A
H3V63	22
H3V112	36
H3V140&180	57
H5V160 & 200	66

MODEL	A
H5V80	40.5
H5V140	48
H3V280	75.7
H5V160DPH & 200DPH	

REGULATOR FOR OE02 TYPE(NORMAL)



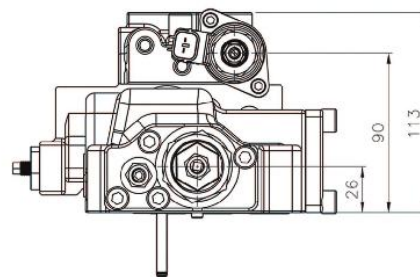
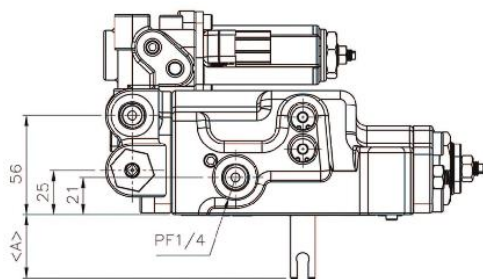
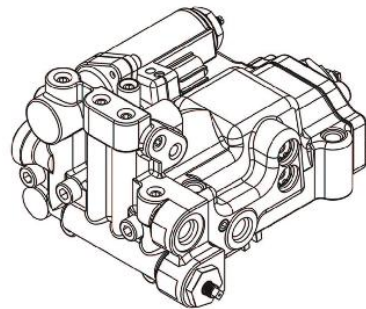
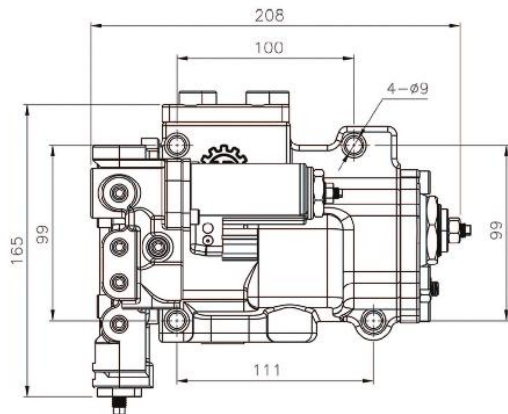
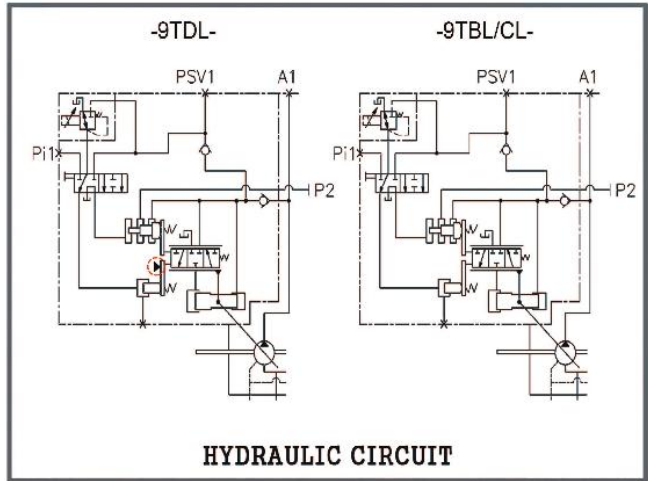
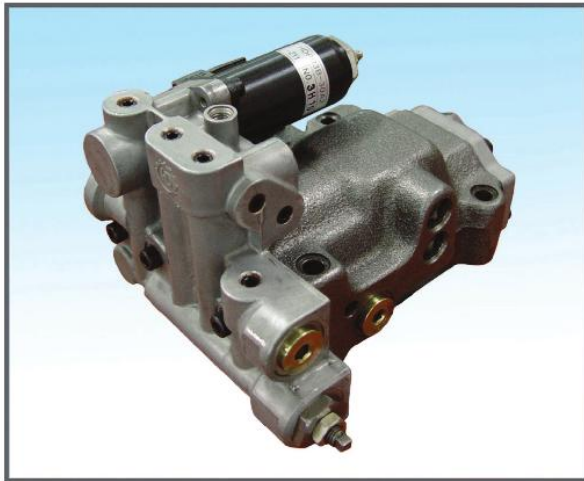
STANDARD DIMENSIONS

(mm)

MODEL	A
H3V63	25
H3V112	36
H3V140&180	61.3
H5V160 & 200	70

MODEL	A
H5V80	48
H5V140	53.8
H3V280	81
H5V160DPH & 200DPH	

REGULATOR FOR 9TDL/BL/CL TYPE

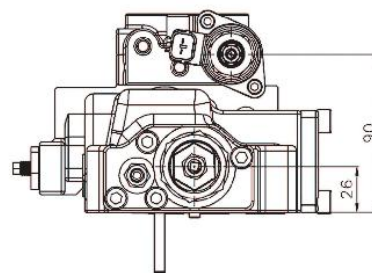
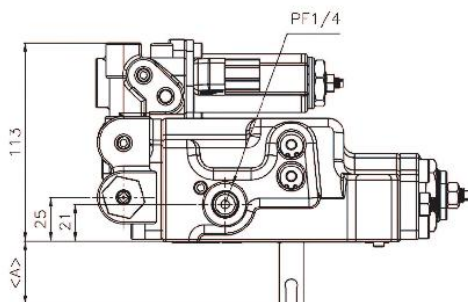
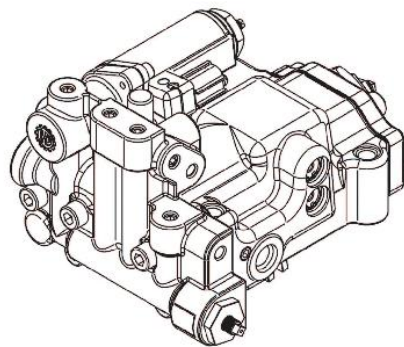
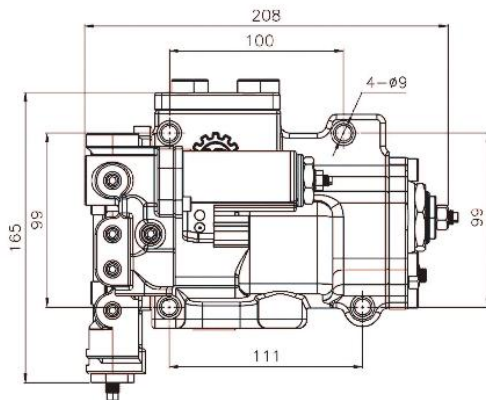
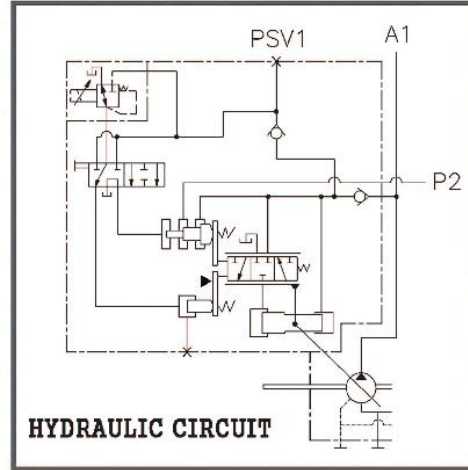


● STANDARD DIMENSIONS

(mm)

MODEL	A	MODEL	A
H3V63	22	H5V80	40.5
H3V112	36	H5V140	48
H3V140&180	57	H3V280	75.7
H5V160 & 200	66	H5V160DPH & 200DPH	

REGULATOR FOR 9TFL/AS/EL/GL/HL/8L TYPE



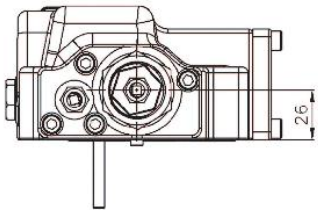
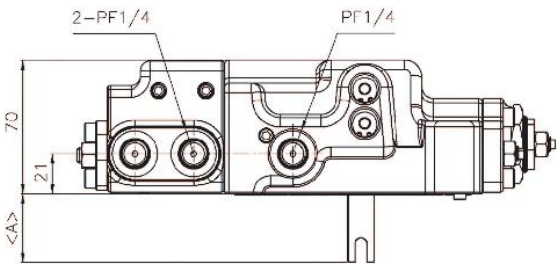
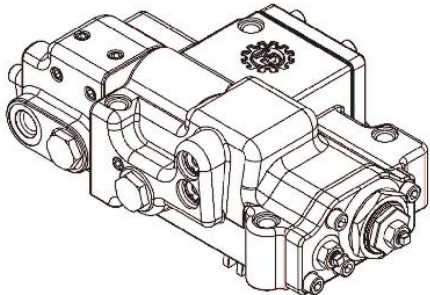
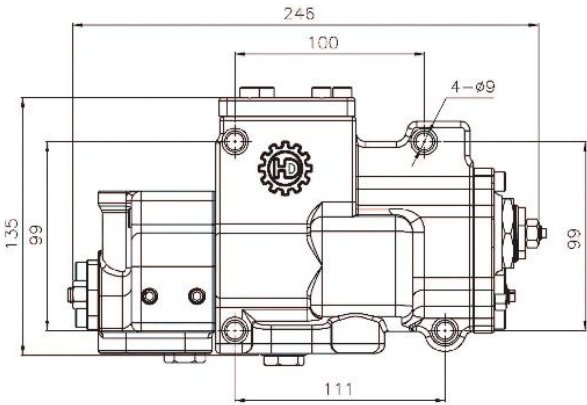
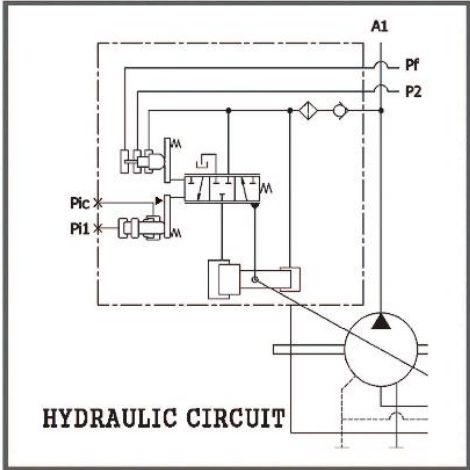
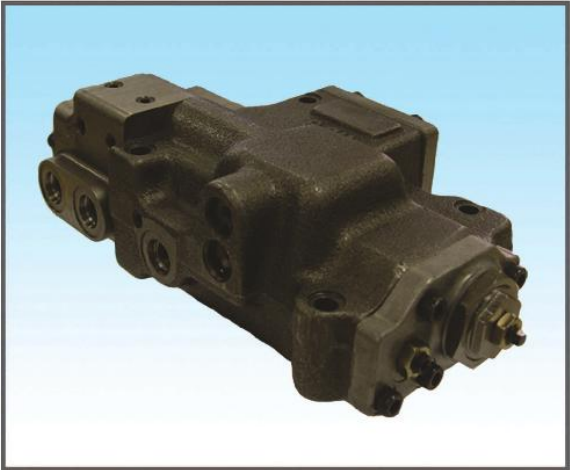
● STANDARD DIMENSIONS

(mm)

MODEL	A
H3V63	22
H3V112	36
H3V140&180	57
H5V160 & 200	66

MODEL	A
H5V80	40.5
H5V140	48
H3V280	75.7
H5V160DPH & 200DPH	

REGULATOR FOR 9KOE TYPE

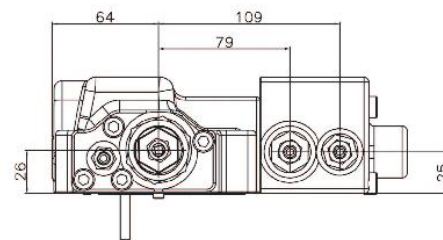
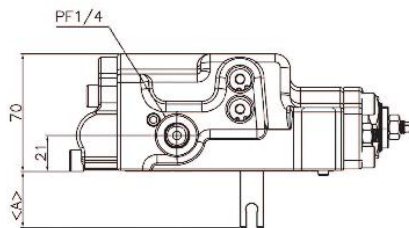
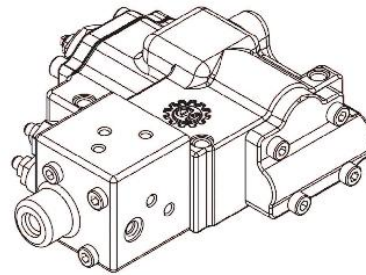
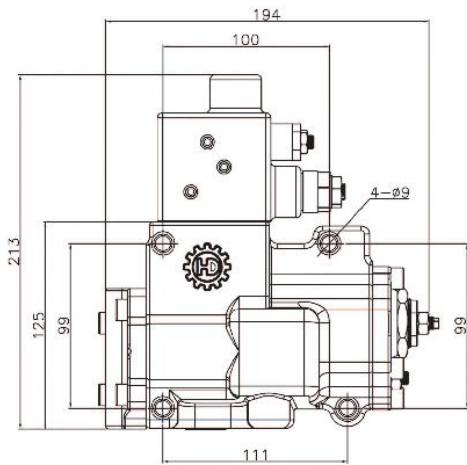
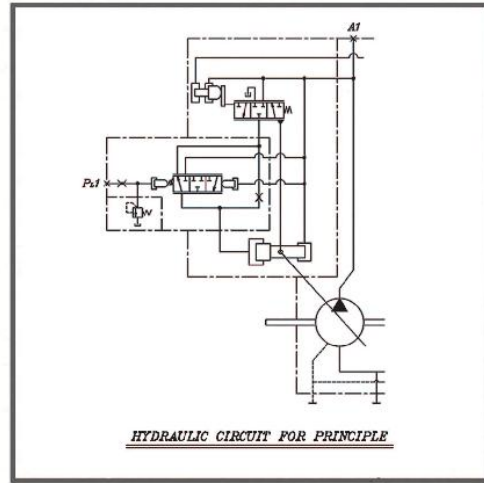
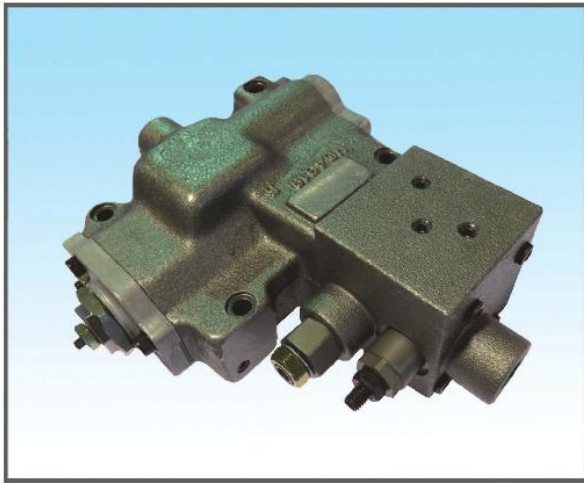


● STANDARD DIMENSIONS

(mm)

MODEL	A	MODEL	A
H3V63	22	H5V80	40.5
H3V112	36	H5V140	48
H3V140&180	57	H3V280	75.7
H5V160 & 200	66	H5V160DPH & 200DPH	

REGULATOR FOR 5L00/7L00 TYPE WITH CUT-OFF VALVE

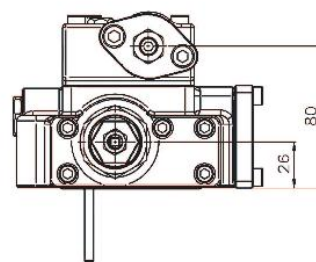
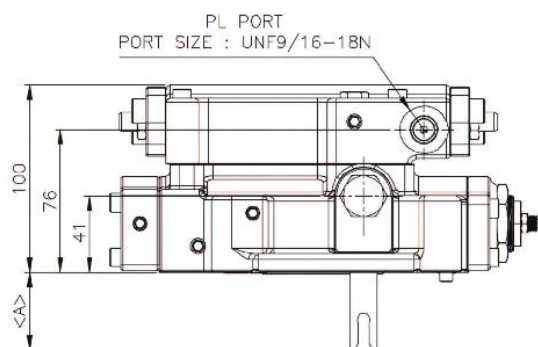
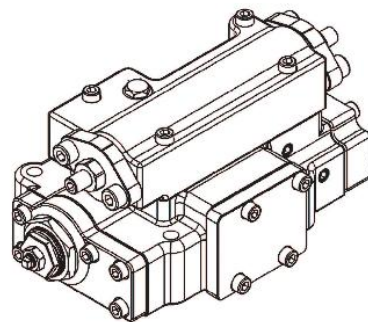
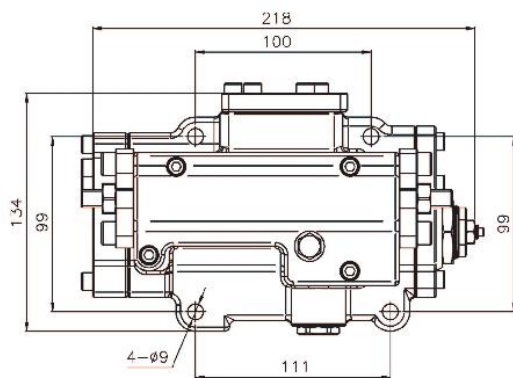
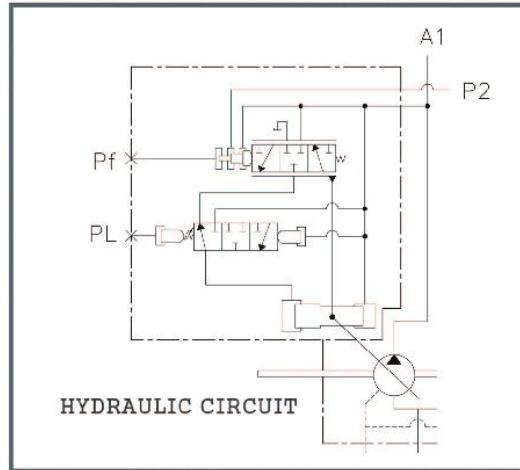


● STANDARD DIMENSIONS

(mm)

MODEL	A	MODEL	A
H3V63	22	H5V80	40.5
H3V112	36	H5V140	48
H3V140&180	57	H3V280	75.7
H5V160 & 200	66	H5V160DPH & 200DPH	75.7

REGULATOR FOR 3L02 TYPE WITHOUT CUT-OFF VALVE

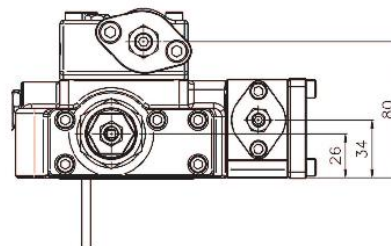
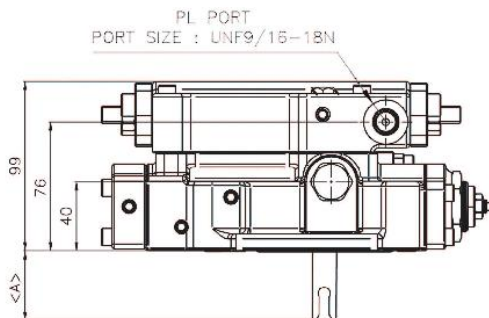
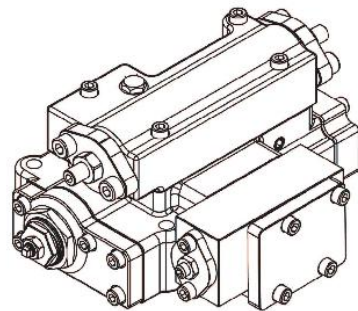
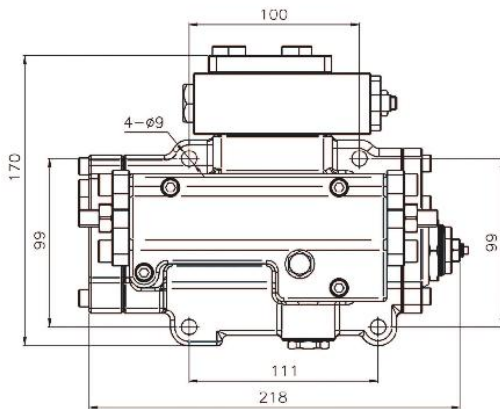
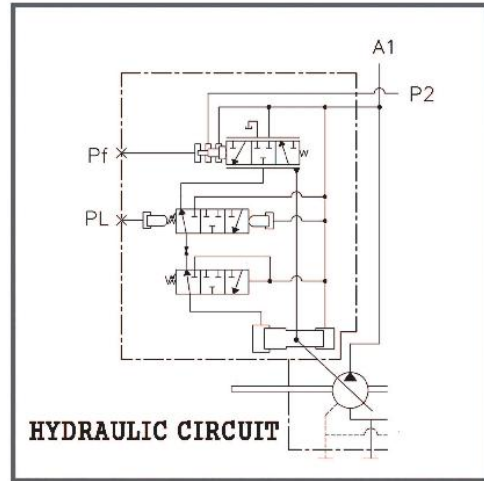


● STANDARD DIMENSIONS (mm)

MODEL	A
H3V63	25.5
H3V112	39.5
H3V140&180	60.5
H5V160 & 200	69.5

MODEL	A
H5V80	44
H5V140	51
H3V280	79.2
H5V160DPH & 200DPH	

REGULATOR FOR 3L09 TYPE WITH CUT-OFF VALVE



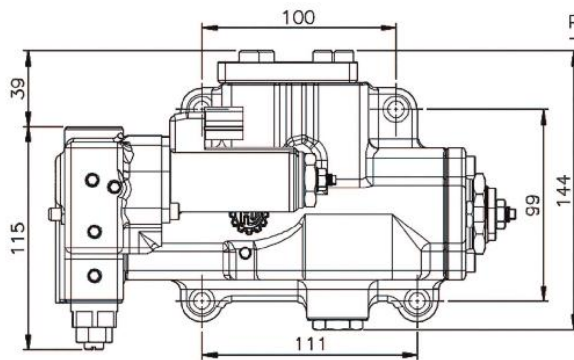
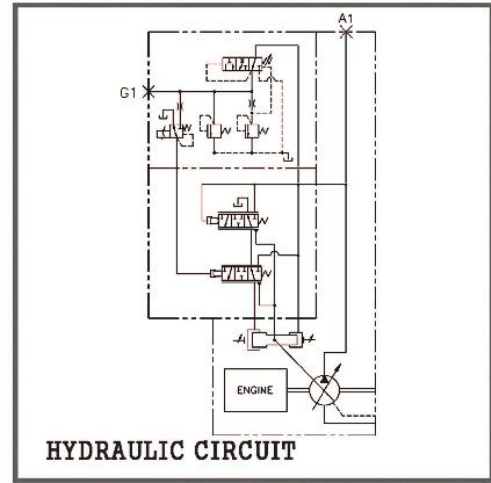
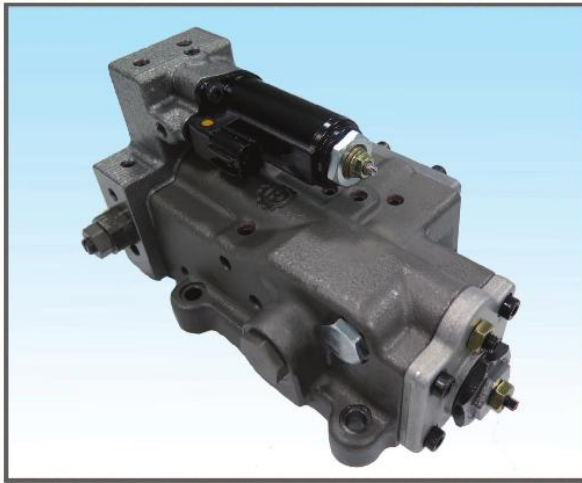
STANDARD DIMENSIONS

(mm)

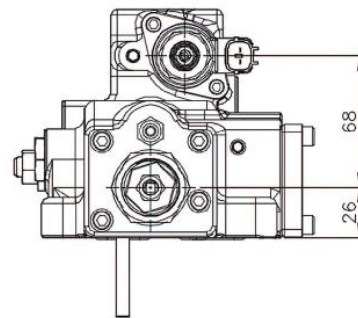
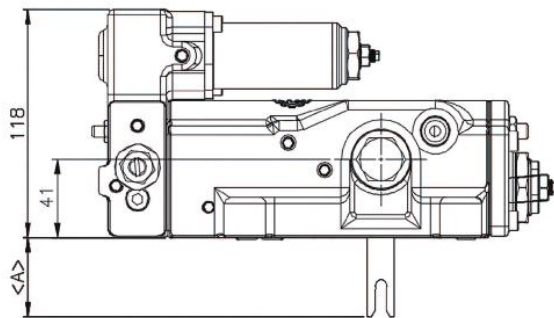
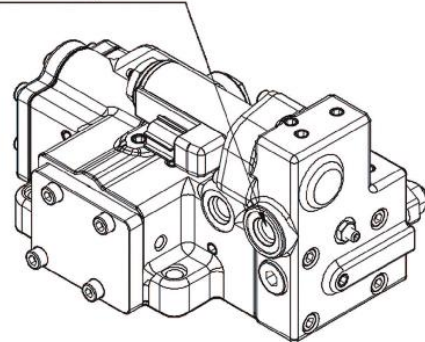
MODEL	A
H3V63	25.5
H3V112	39.5
H3V140&180	60.5
H5V160 & 200	69.5

MODEL	A
H5V80	44
H5V140	51
H3V280	79.2
H5V160DPH & 200DPH	

REGULATOR FOR 3E00 TYPE



G1-GAUGE PORT
PORT SIZE : PF1/4-14N

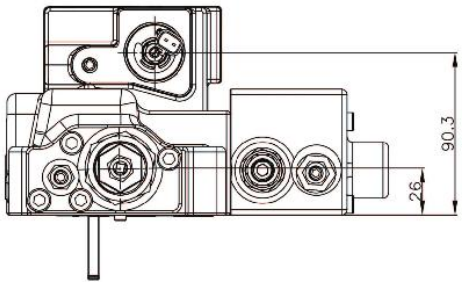
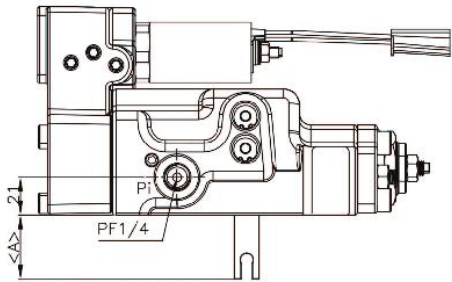
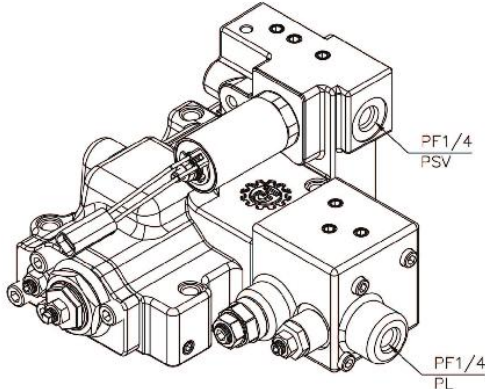
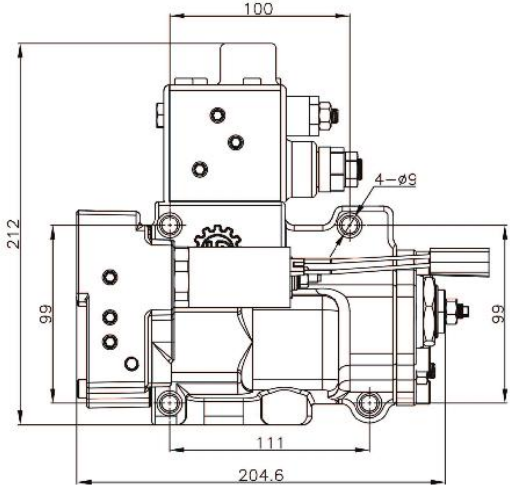
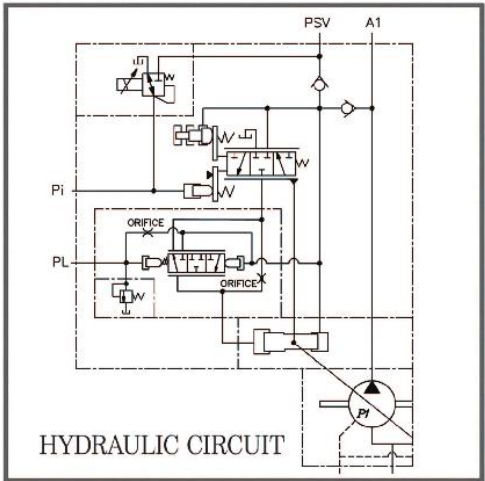
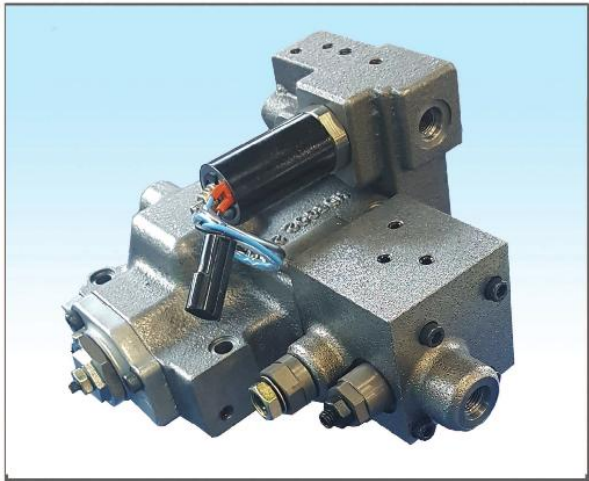


● STANDARD DIMENSIONS

(mm)

MODEL	A	MODEL	A
H3V63	22	H5V80	40.5
H3V112	36	H5V140	48
H3V140&180	57	H3V280	75.7
H5V160 & 200	66	H5V160DPH & 200DPH	

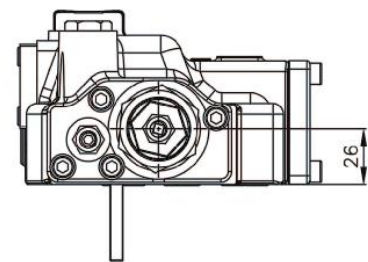
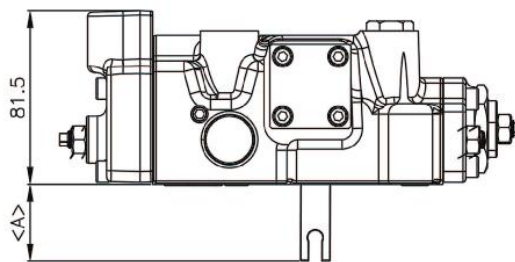
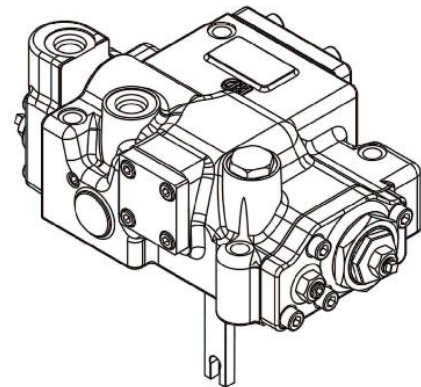
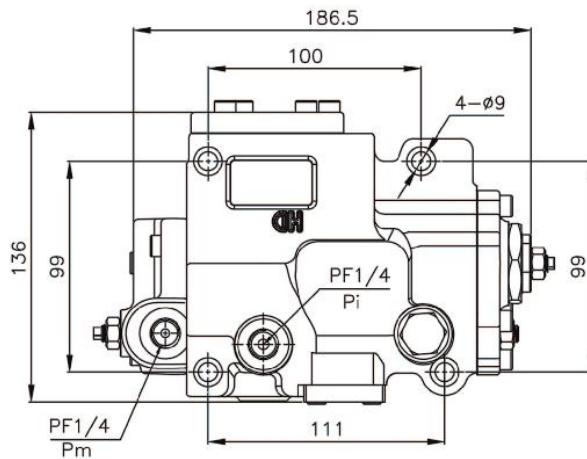
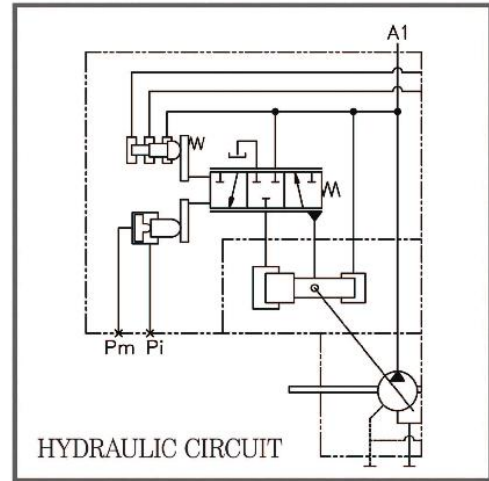
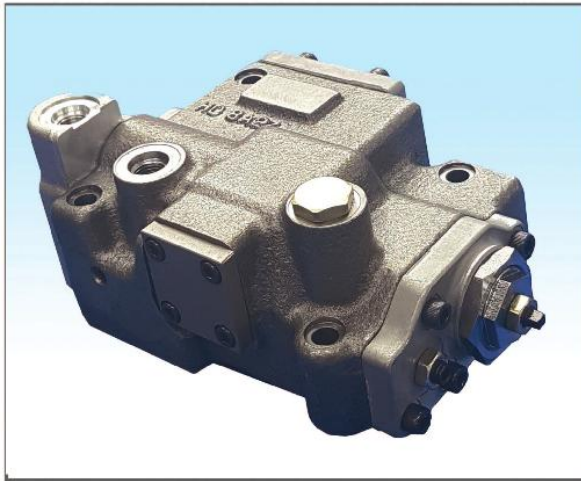
REGULATOR FOR 5E29 TYPE



STANDARD DIMENSIONS (mm)

MODEL	A	MODEL	A
H3V63	22	H5V80	40.5
H3V112	36	H5V140	48
H3V140&180	57	H3V280	75.7
H5V160 & 200	66	H5V160DPH & 200DPH	75.7

REGULATOR FOR 9S09 TYPE

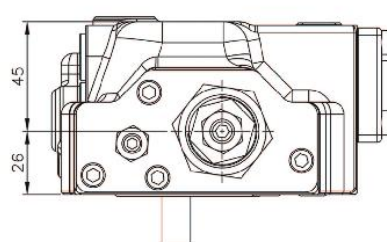
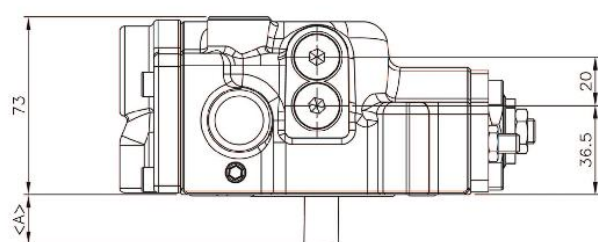
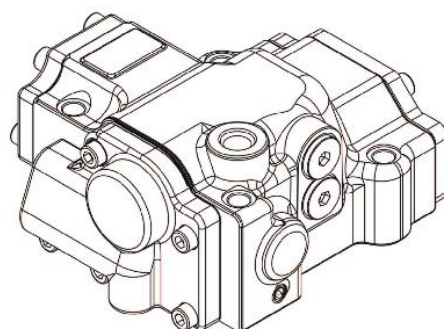
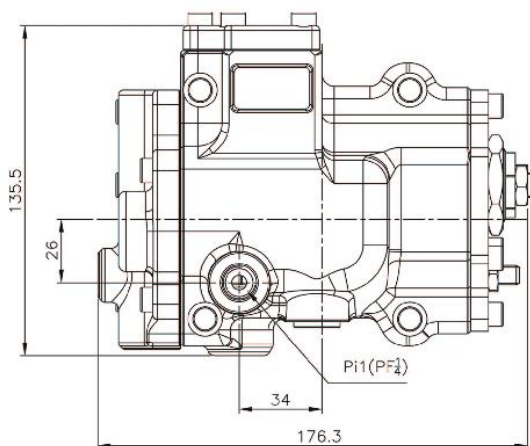
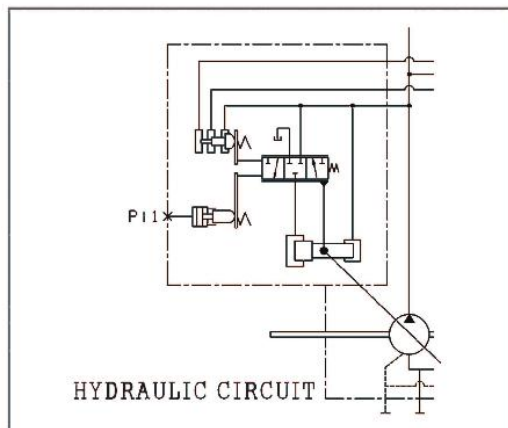


STANDARD DIMENSIONS

(mm)

MODEL	A	MODEL	A
H3V63	22	H5V80	40.5
H3V112	36	H5V140	48
H3V140&180	57	H3V280	75.7
H5V160 & 200	66	H5V160DPH & 200DPH	

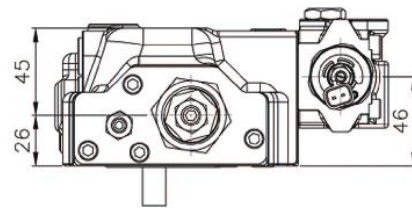
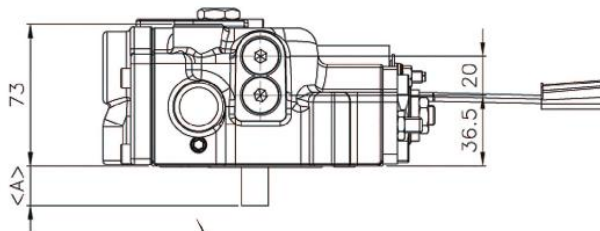
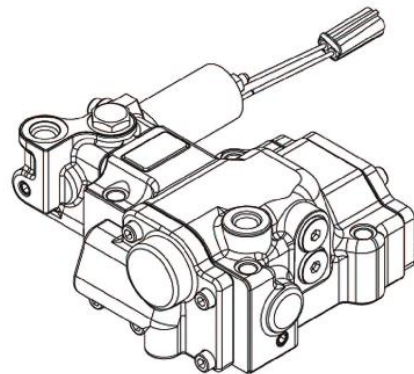
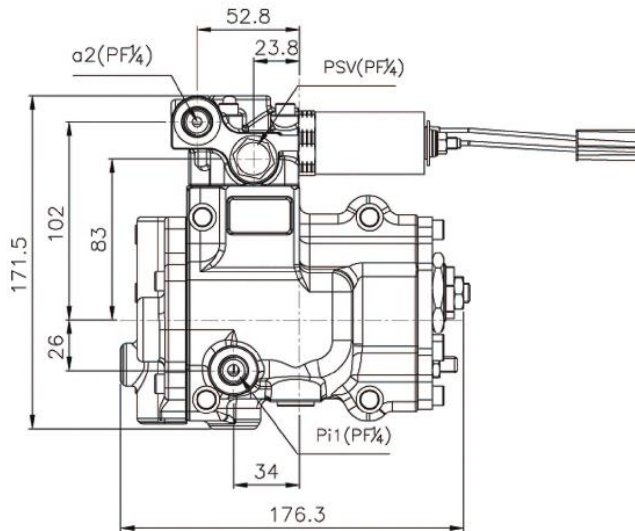
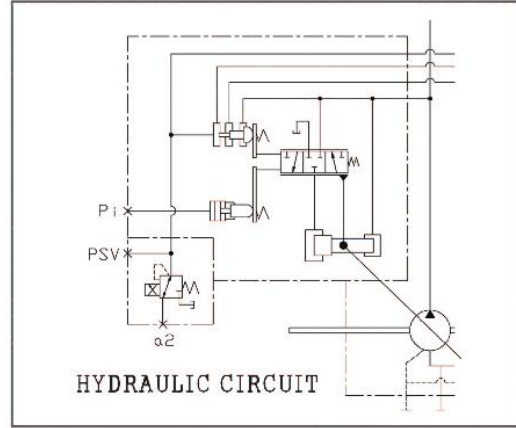
REGULATOR FOR H7V SERIES(9N00) TYPE



● STANDARD DIMENSIONS (mm)

MODEL	A
H7V63	20.5
H7V100	30.5

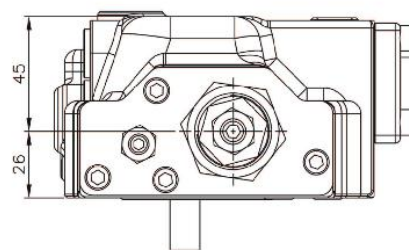
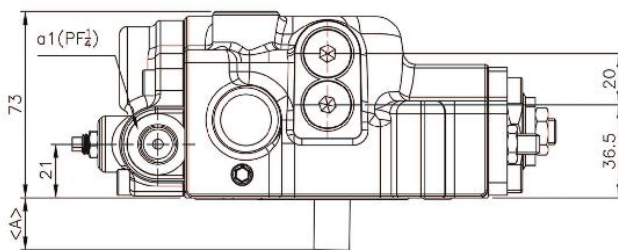
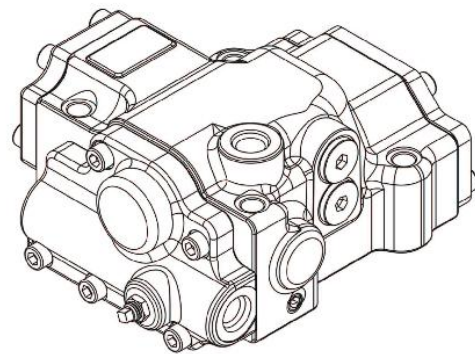
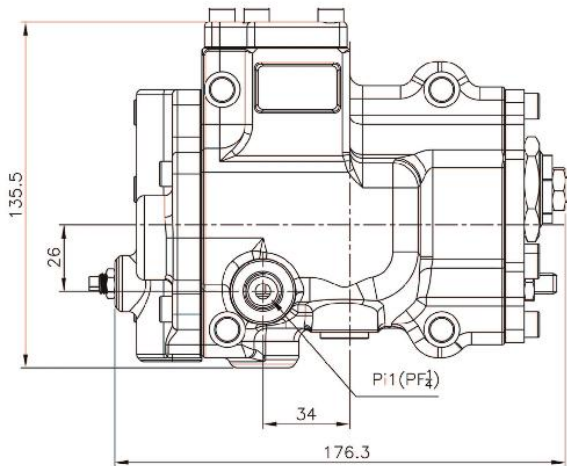
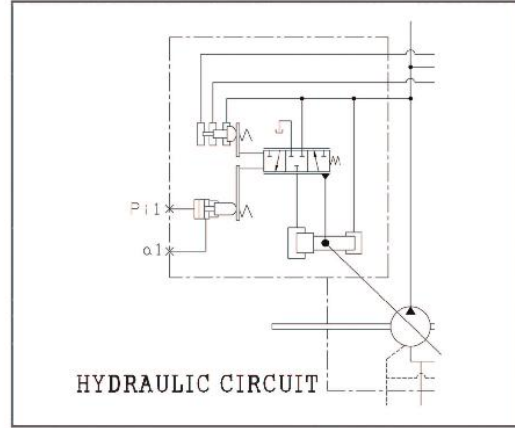
REGULATOR FOR H7V SERIES(9NOE) TYPE WITH EPR



● **STANDARD DIMENSIONS** (mm)

MODEL	A
H7V63	20.5
H7V100	30.5

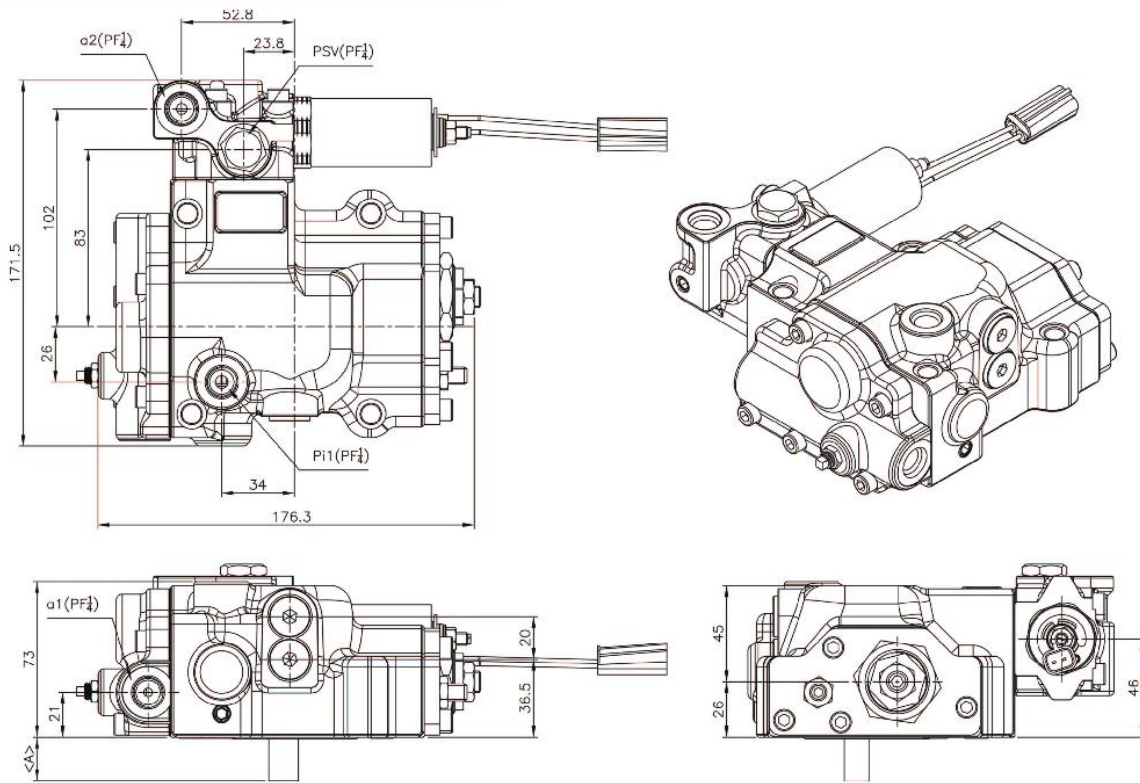
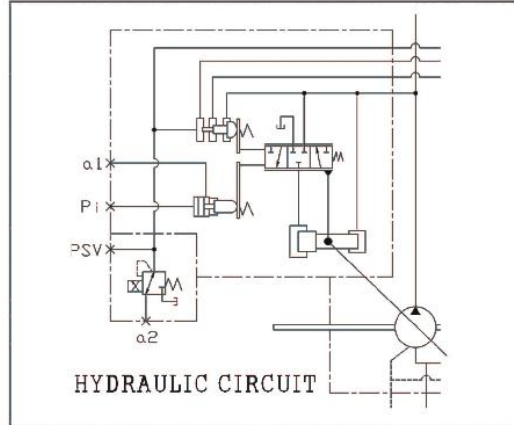
REGULATOR FOR H7V SERIES(9C00) TYPE



● STANDARD DIMENSIONS (mm)

MODEL	A
H7V63	20.5
H7V100	30.5

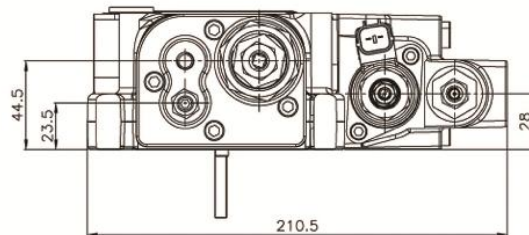
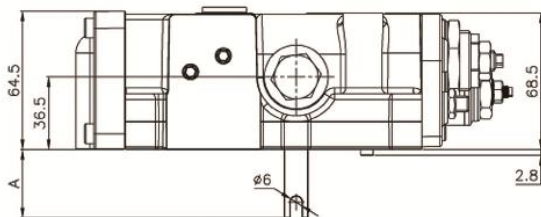
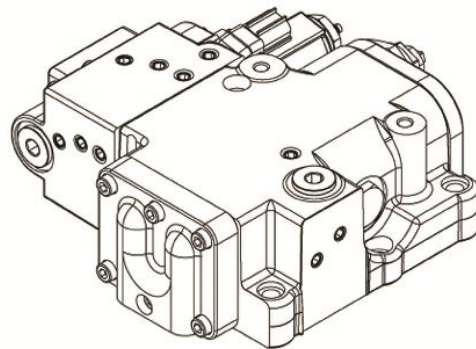
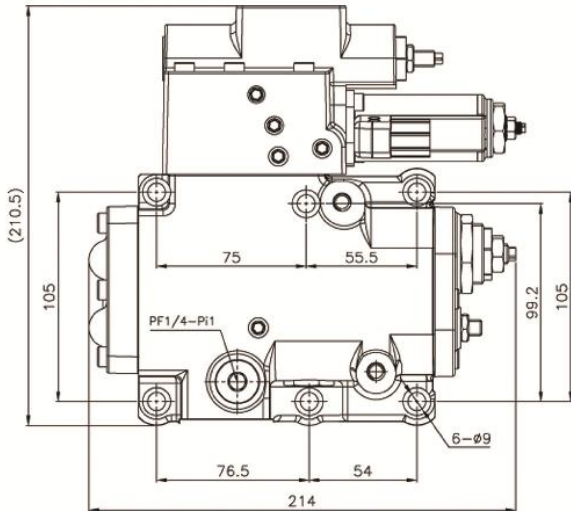
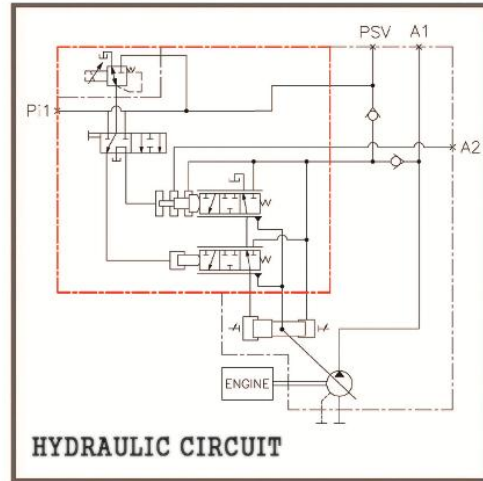
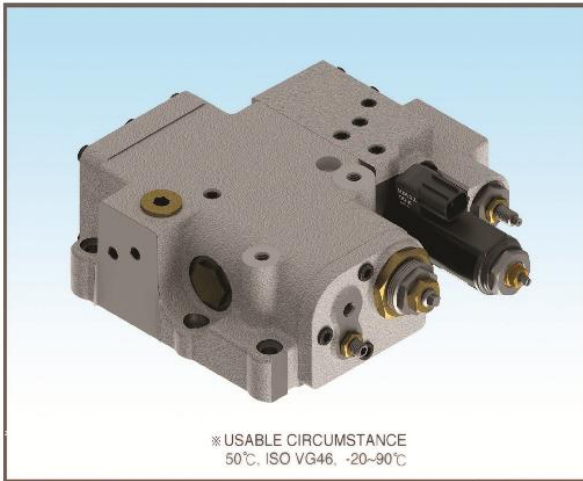
REGULATOR FOR H7V SERIES(9C00) TYPE WITH EPR



● STANDARD DIMENSIONS (mm)

MODEL	A
H7V63	20.5
H7V100	30.5

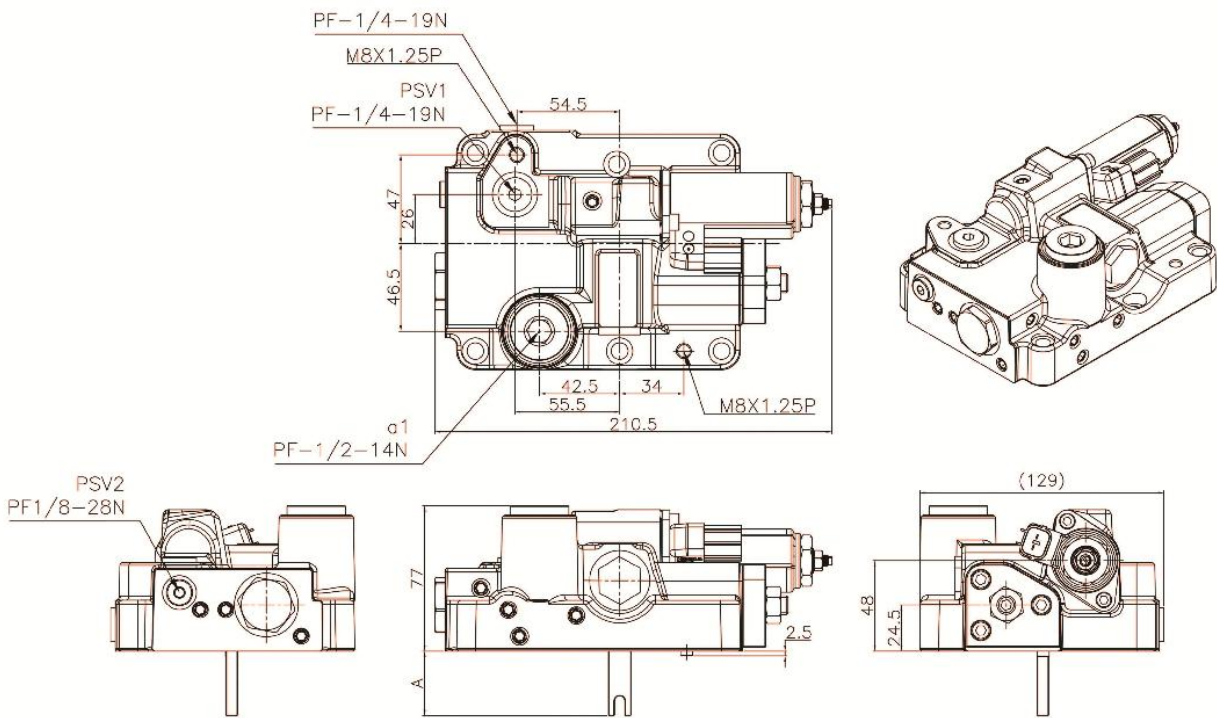
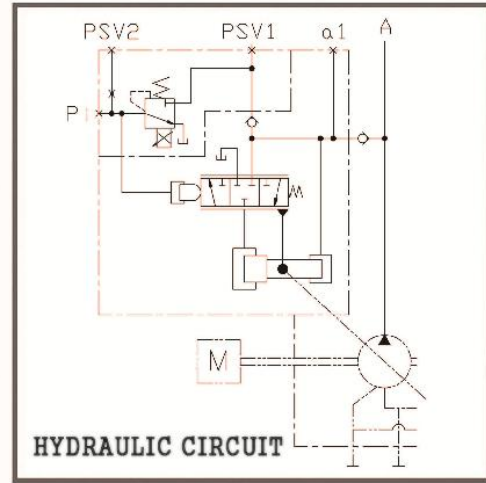
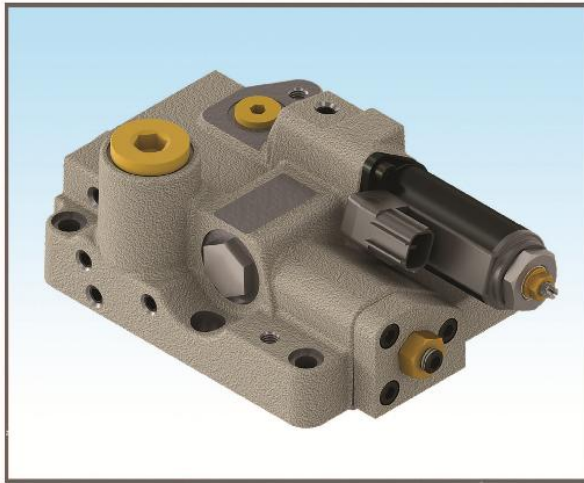
REGULATOR FOR H7V SERIES(9T00) TYPE



● **STANDARD DIMENSIONS** (mm)

MODEL	A
H7V125 & 140 & 180	34.2
H7V280	48.2

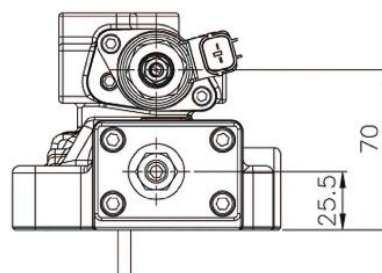
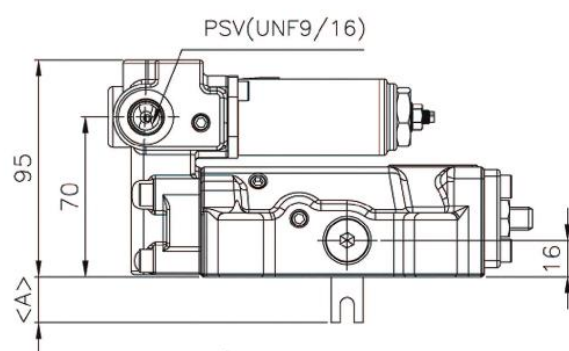
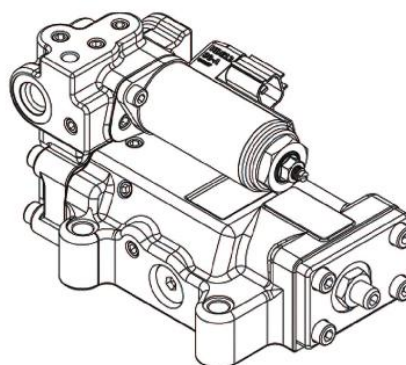
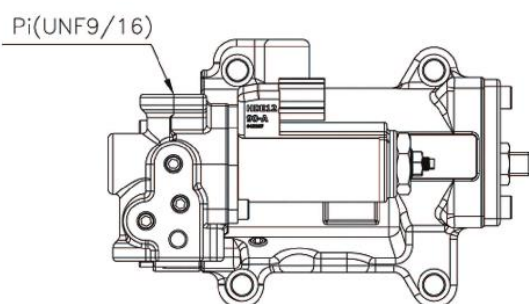
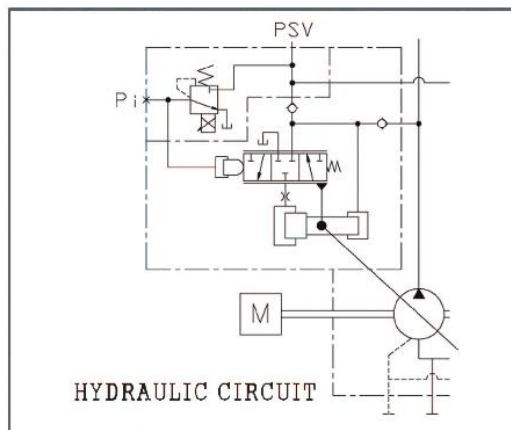
REGULATOR FOR H7V SERIES(OE00) TYPE



● STANDARD DIMENSIONS (mm)

MODEL	A
H7V125 & 140 & 180	34.2
H7V280	48.2

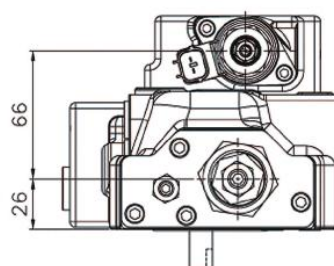
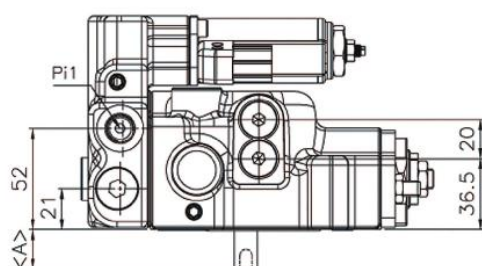
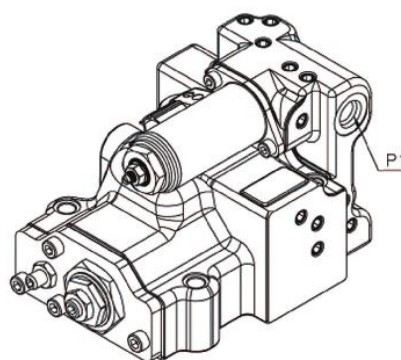
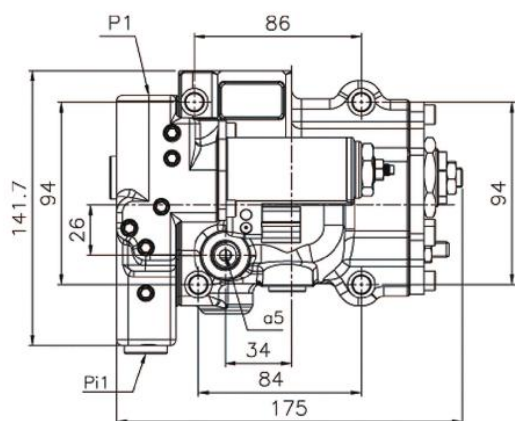
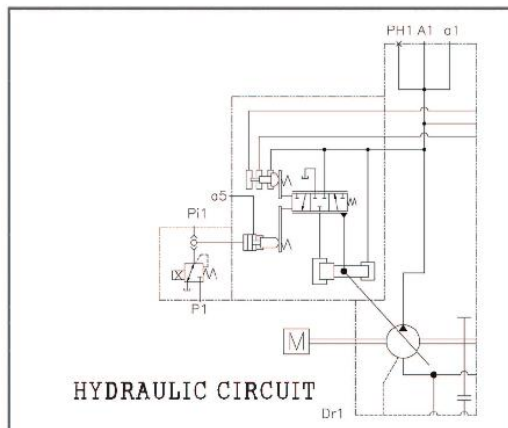
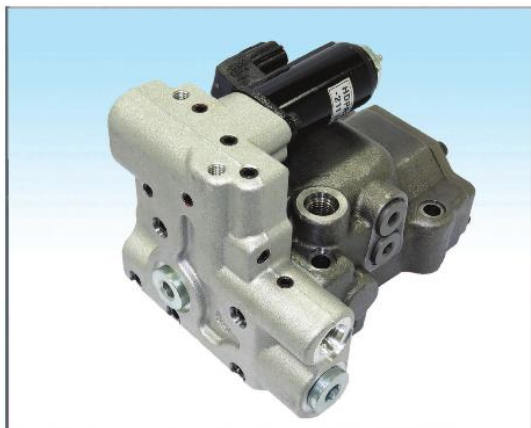
REGULATOR FOR H7V SERIES(OE43) TYPE



● STANDARD DIMENSIONS (mm)

MODEL	A
H7V63	20.5
H7V100	30.5

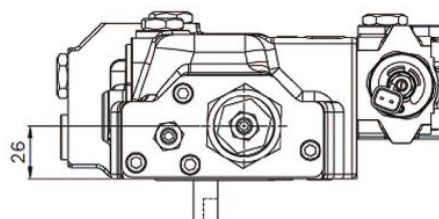
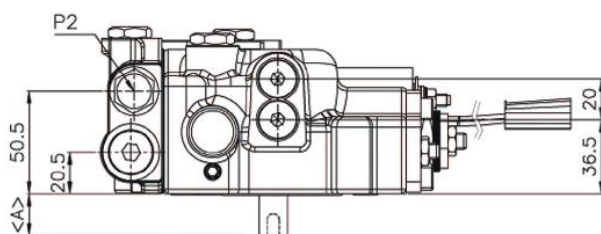
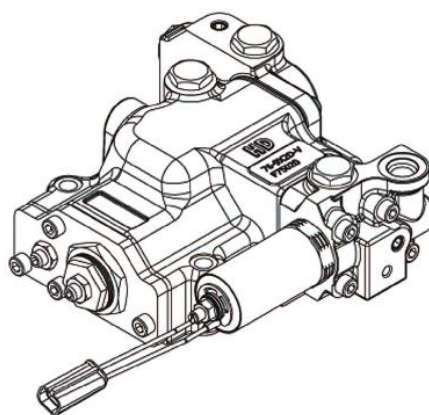
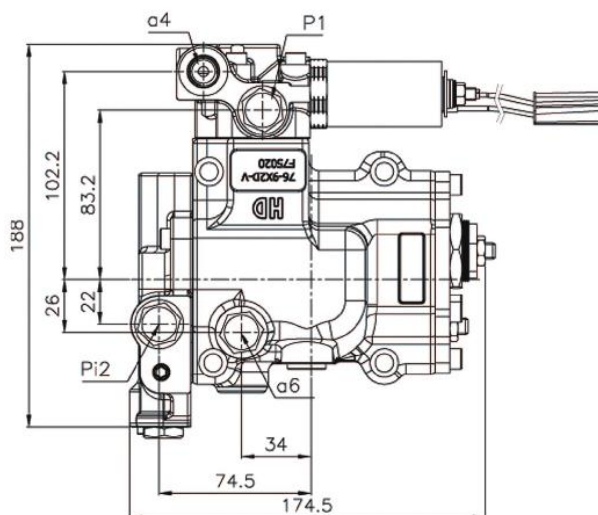
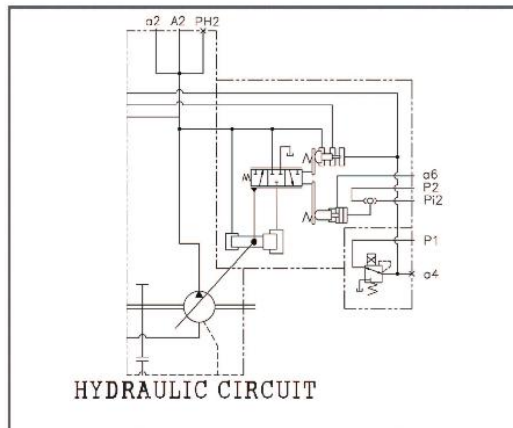
REGULATOR FOR H7V SERIES(9Y2C-F) TYPE



● STANDARD DIMENSIONS (mm)

MODEL	A
H7V63	20.5
H7V100	30.5

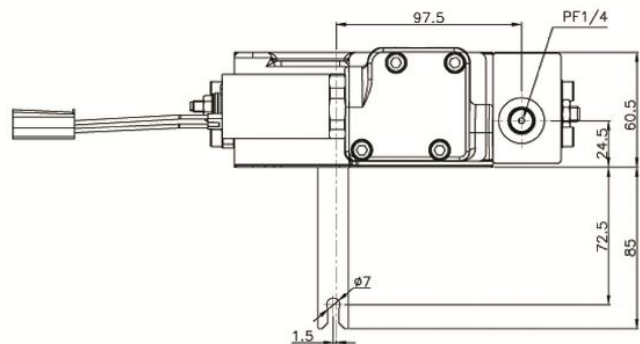
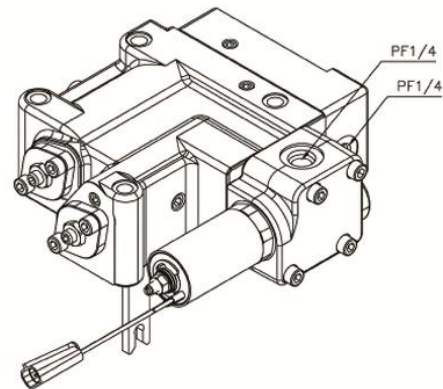
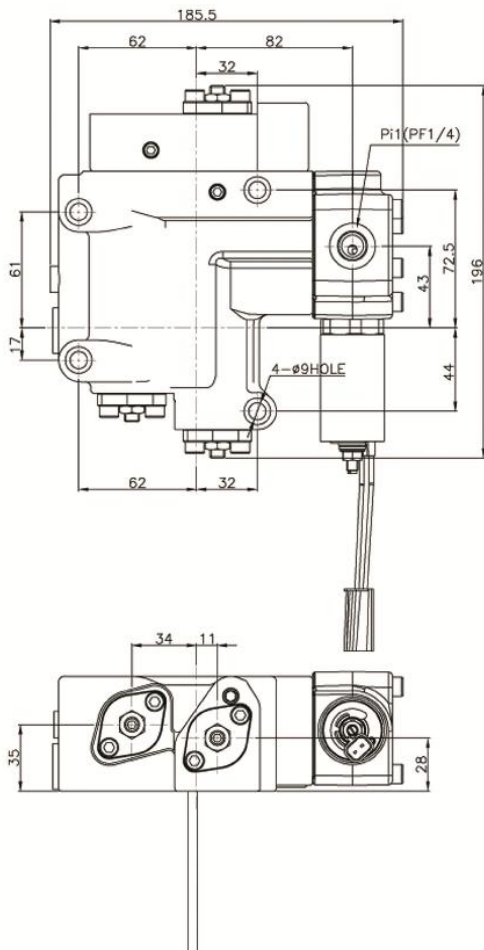
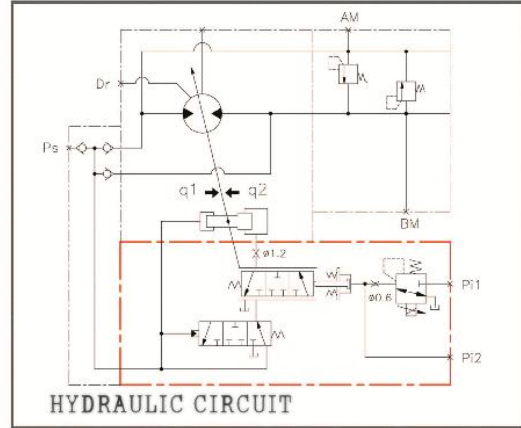
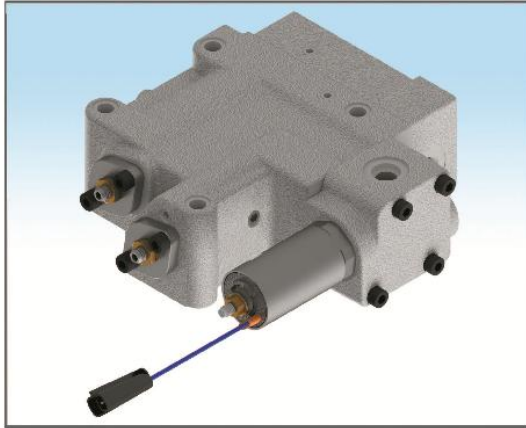
REGULATOR FOR H7V SERIES(9X2D-R) TYPE



● STANDARD DIMENSIONS (mm)

MODEL	A
H7V63	20.5
H7V100	30.5

REGULATOR FOR H3B530/800AP (WITH EPR)



REGULATOR FOR H3B530/800AP (WITHOUT EPR)

